

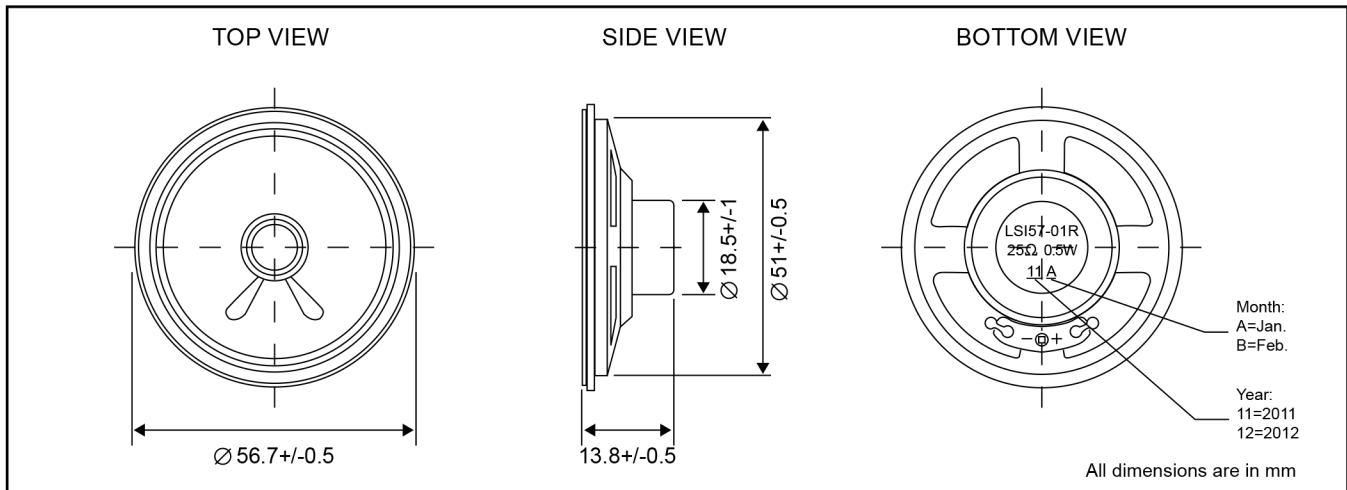
Loud Speaker

LSI57 Series

DIMENSIONS



Date : 19 Jun.,2013



Ref. no.: RB085-R

Remark : 13.8 \pm 0.5mm height



ELECTRICAL SPECIFICATIONS

Model No.	LD-SP5725
Diameter	56.7 \pm 0.3 mm
Height	13.8 \pm 0.5 mm
Back Dia.	18.0 \pm 0.5 mm
Output S.P.L.	89 \pm 2 dB [At 0.5m / 1W, Ave at 0.8, 1.0, 1.2, 1.5 KHz]
Impedance	25 ohm \pm 15% [At 1000 Hz]
Resonant Freq. [Fo]	350 Hz \pm 20 %
Freq. Response	200 ~ 10K Hz
Rated Input Power	0.5 W
Max. Input Power	1.0 W
Buzzer & Rattles	Must Be Normal [Sine Wave 3.54 V, 50 ~ 5k Hz]
Load Test	Must Be Normal [Pine Noise 0.5 W, 96 Hours]
Heat Test	Must Be Normal [65 \pm 2 °C, 20 ~ 25% R.H. 96 Hours]
Cold Test	Must Be Normal [-25 \pm 2 °C, 96 Hours]
Humidity Test	40 \pm 2 °C, 90 ~ 95% R.H. 96 Hours
Case Material	Metal
Magnet	Internal Magnet - Nd Fe B
Magnet Size	\varnothing 12.5 x 2mm
Operating Temperature	-25 ~ +65 °C
Storage Temperature	-25 ~ +65 °C
Weight	18 g