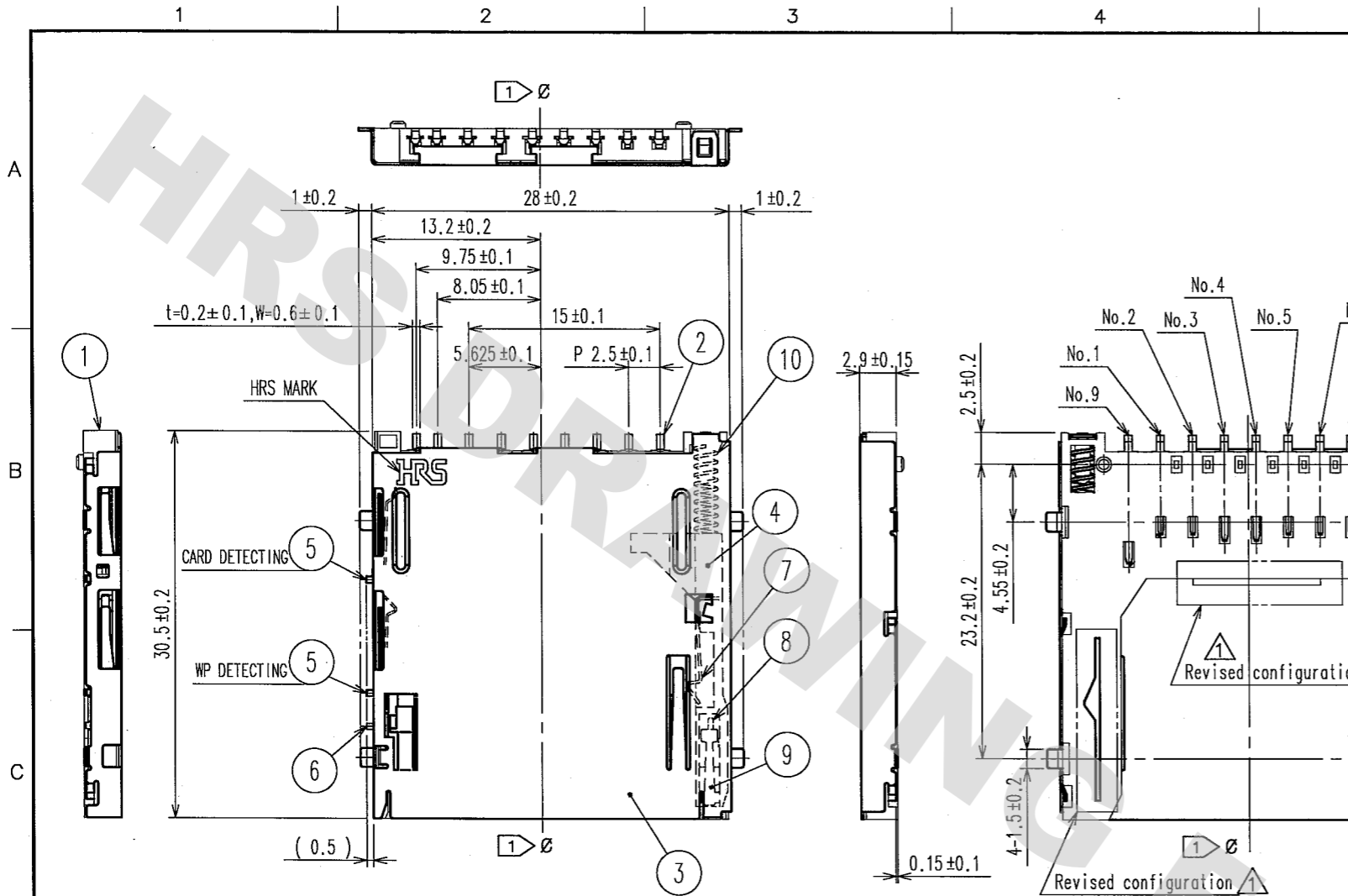
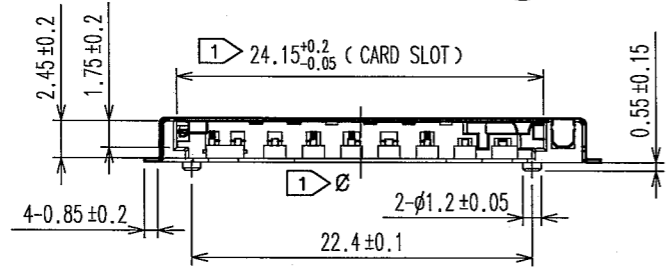
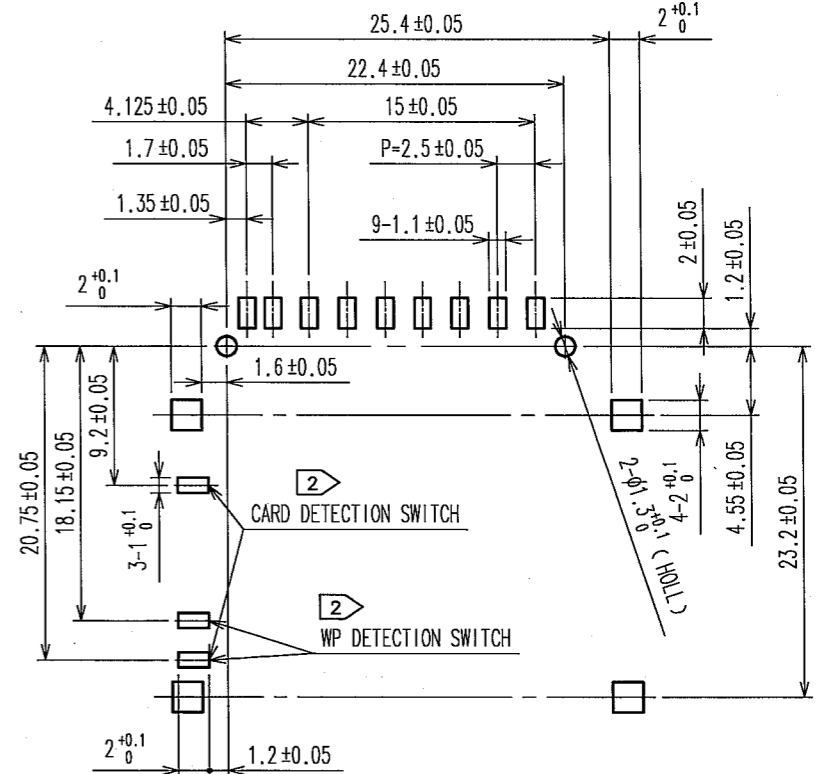


COUNT	DESCRIPTION OF REVISIONS	BY	CHKD	DATE	COUNT	DESCRIPTION OF REVISIONS	BY	CHKD	DATE
1	2	DIS-F-000445	H.S	05.09.27					

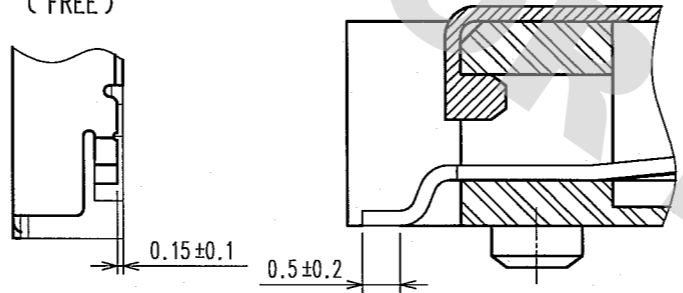


PCB LAYOUT (MOUNTING SIDE)



DISTANCE TO PCB (FREE)

LENGTH OF LEAD FLAT AREA (FREE)



NOTES 1) Ø IS THE CENTERLINE OF THE CARD SLOT.
2) CARD DETECTION PROCEDURE AND WP DETECTION PROCEDURE ARE SHOWN IN THE BELOW.

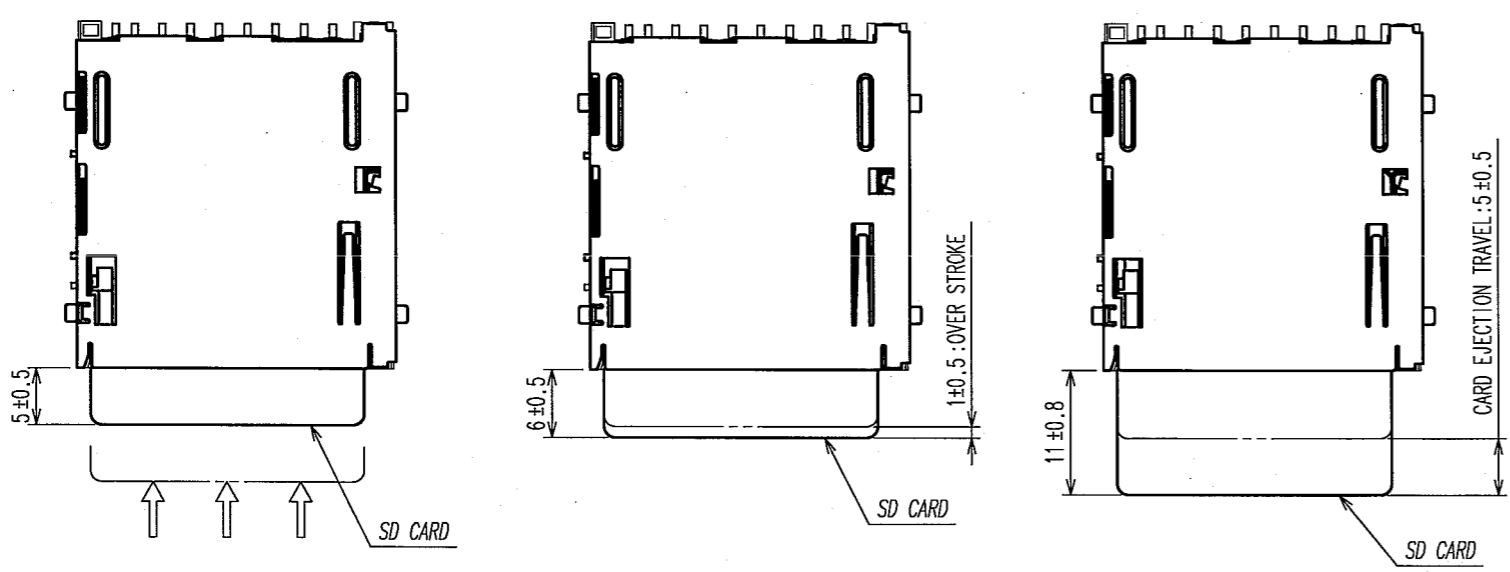
CARD DETECTION SWITCH		WP DETECTION SWITCH			
NO CARD	CARD INSERTED	NO CARD	CARD INSERTED		
			WRITE PROTECT	WRITE ENABLE	
OPEN	CLOSE	OPEN	OPEN	CLOSE	
PART NO.5 (CARD DETECTING)	PART NO.6 (CARD DETECTING)	PART NO.5 (WP DETECTING)	PART NO.6 (WP DETECTING)	PART NO.5 (WP DETECTING)	PART NO.6 (WP DETECTING)

- 3 LEAD CO-PLANARITY TO BE 0.1mm.
- 4 CONNECTOR WEIGHT/PIECE: 2.2g

CARD PUSHING POSITION

CARD INSERTED POSITION

CARD EJECTED POSITION



3	STAINLESS STEEL	MOUNTING AREA: Ni0.5µm+Sn1µm	10	SWC	Ni3µm
2	COPPER ALLOY	CONTACT AREA: Ni2µm+Au0.2µm MOUNTING AREA: Ni2µm+Au0.03µm	7~9	STAINLESS STEEL	
1	LCP	BLACK UL94V-0	5,6	COPPER ALLOY	CONTACT AREA: Ni2µm+Au0.2µm MOUNTING AREA: Ni2µm+Au0.03µm
			4	LCP	BLACK UL94V-0

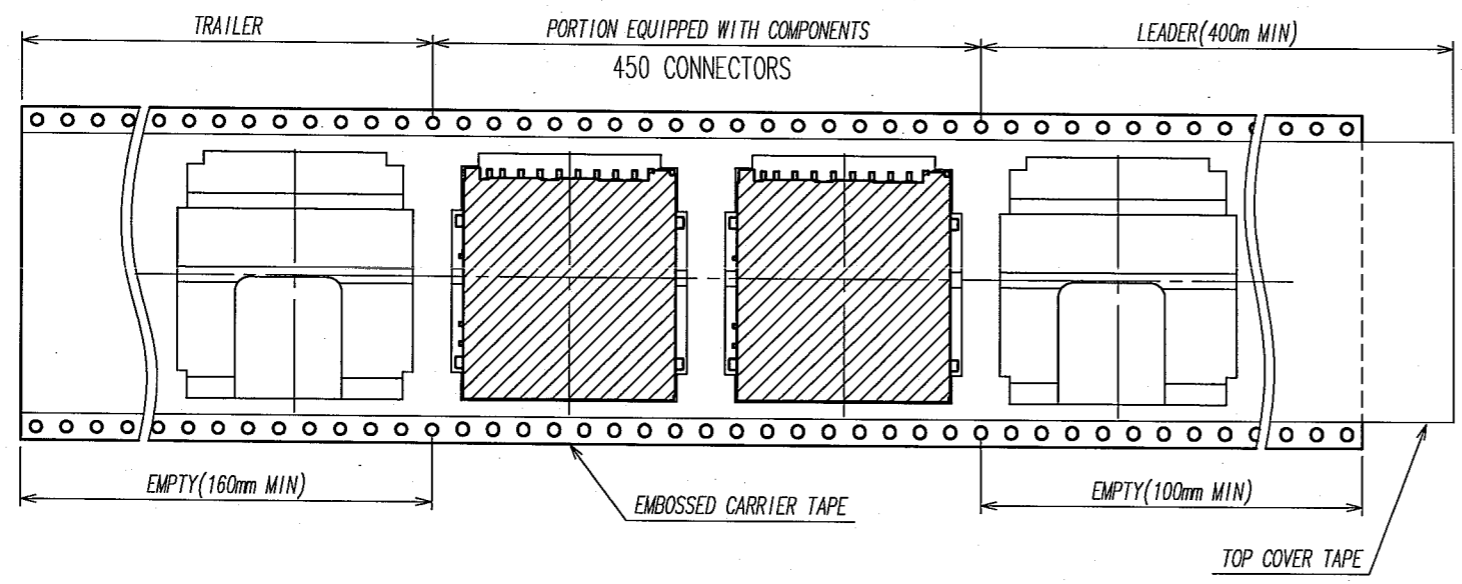
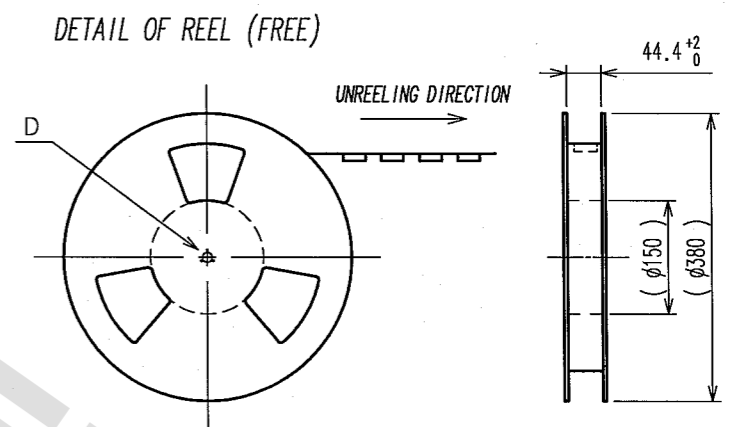
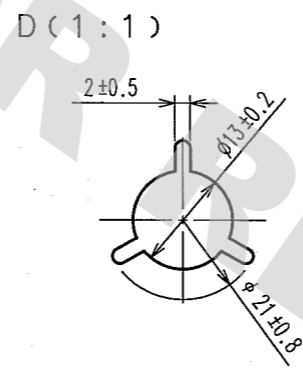
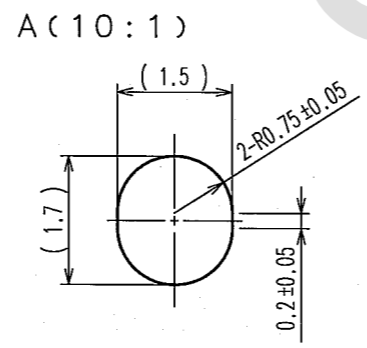
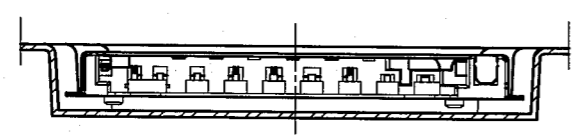
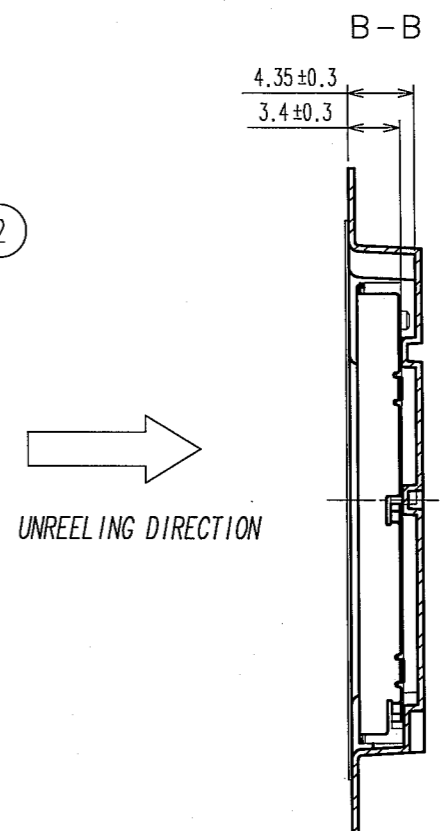
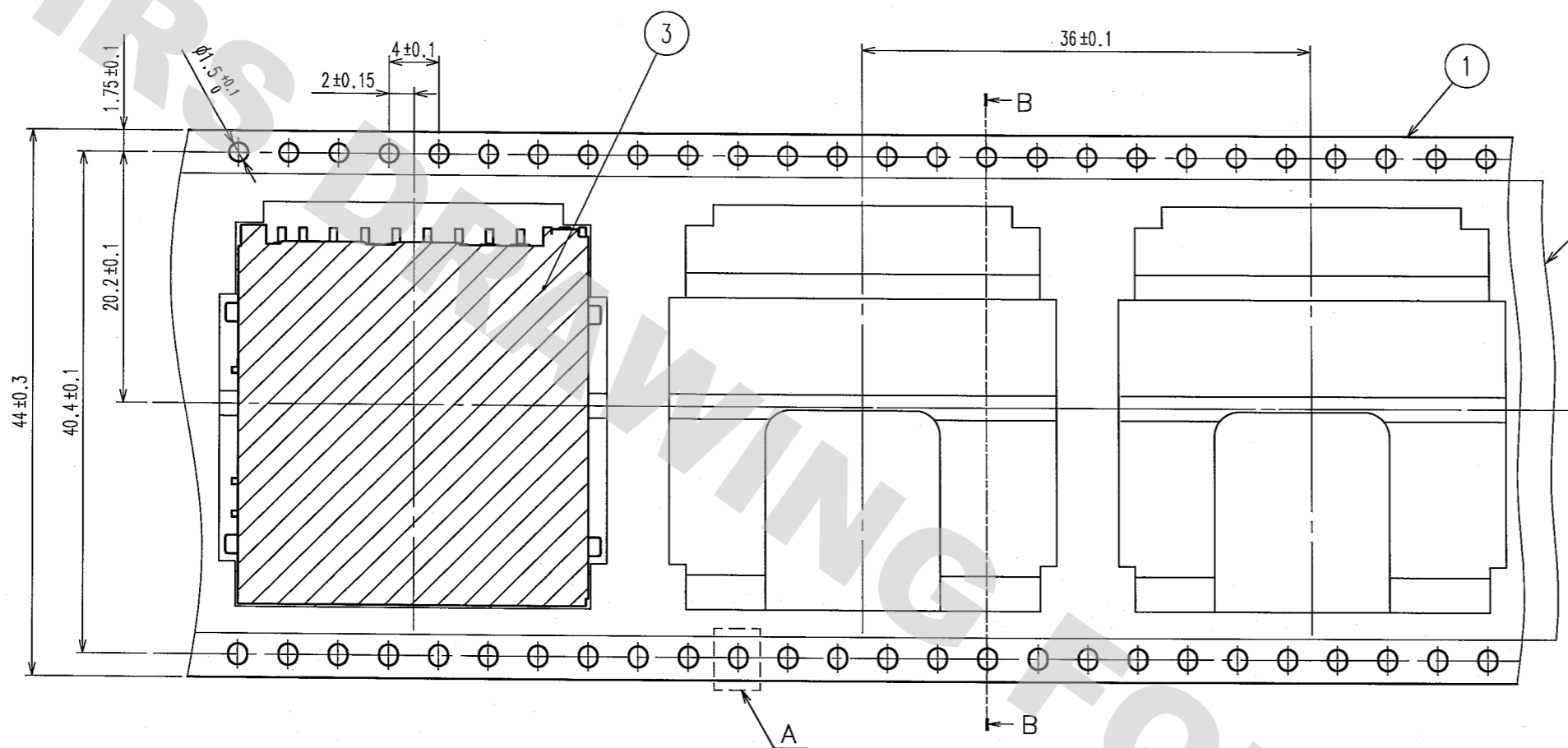
CODE NO. (OLD)	DRAWN	DESIGNED	CHECKED	APPROVED	RELEASED
CL	H.SAITOU '05.07.19	H.SAITOU '05.07.19	S.TOMIOKA '05.07.19	K.AKIYAMA '05.07.19	

SCALE	DRAWING NO.	PART NO.
2 : 1	EDC3-153736-02	DM1AA-SF-PEJ(82)
UNITS		CODE NO.
mm	HRS HIROSE ELECTRIC CO., LTD	CL609-0004-8-82

DRAWING FOR REFERENCE: This is subject to change without notice
08/11/2012

TO

COUNT	DESCRIPTION OF REVISIONS	BY	CHKD	DATE	COUNT	DESCRIPTION OF REVISIONS	BY	CHKD	DATE



NOTES 1 450 CONNECTORRS / REEL

3	(CONNECTORS)
2	POLYESTER
1	PS

NO.	MATERIAL	FINISH, REMARKS	NO.	MATERIAL	FINISH, REMARKS

NO. (OLD)	CL	DRAWN	DESIGNED	CHECKED	APPROVED	RELEASED
		H.SAITOU	H.SAITOU	S.TOMIOKA	K.AKIYAMA	
		'05.07.19	'05.07.19	'05.07.19	'05.07.19	

SCALE	2 : 1	DRAWING NO.	EDC3-153736-02	PART NO.	DM1AA-SF-PEJ(82)
UNITS	mm	HRS	HIROSE ELECTRIC CO., LTD	CODE NO.	CL609-0004-8-82

DRAWING FOR REFERENCE: This is subject to change without notice
08/11/2012

TO