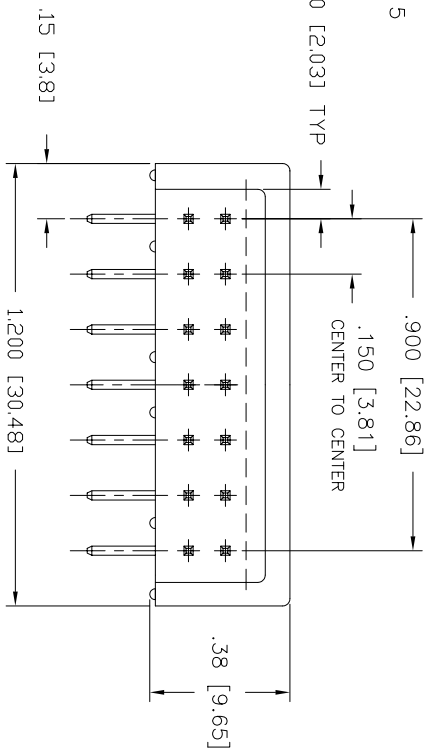


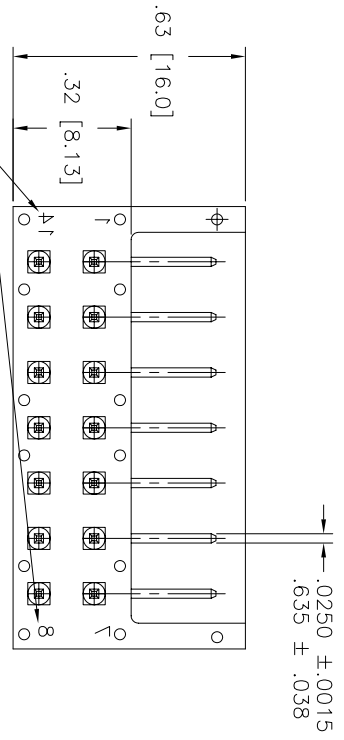
PRODUCT NO.
65695-001

NOTE 5

.080 [2.03] TYP
CENTER TO CENTER

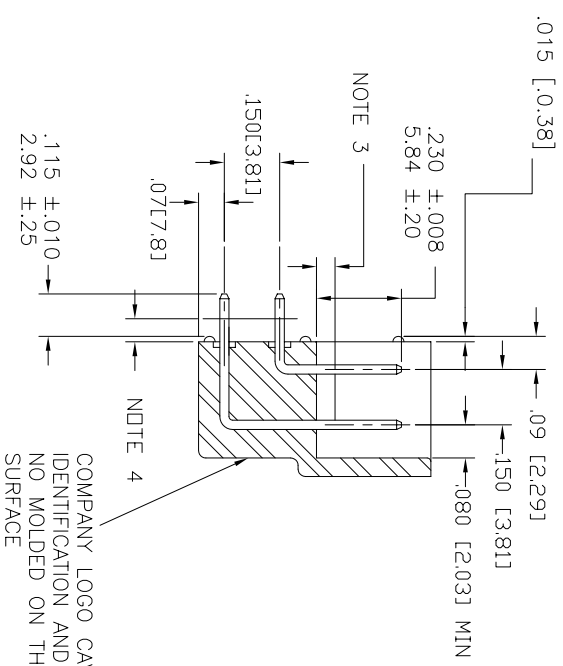


.06/1.5 HIGH
CHARACTERS LOCATED
ON FAR SIDE (4X)



RECOMMENDED HOLE PATTERN

- NOTES:
1. MOLDING MAT'L: GLASS FILLED POLYESTER FLAME RETARDANT PER UL-94-V-0 COLOR - BLACK
 2. TERMINAL MATERIAL: .025 [0.64] SQUARE 3/4 HARD PHOSPHOR BRONZE
 3. .05 MAX FLASH PERMISSIBLE AROUND TERMINAL
 4. .03/.76 MAX FLASH PERMISSIBLE AROUND TERMINAL
 5. ADD "E" SUFFIX AT THE END OF PART NUMBER FOR LEAD FREE OPTION.
 6. IF "E" P/N/THIS PRODUCT MEETS EUROPEAN UNION DIRECTIVES AND OTHER COUNTRY REGULATION AS DESCRIBED IN GS-22-008.
 7. HOUSING WILL WITHSTAND EXPOSURE TO 260°C PEAK TEMPERATURE FOR 15 SECONDS IN A WAVE SOLDER APPLICATION WITH A 1.5mm MINIMUM THICK CIRCUIT BOARD. SEE APPLICATION NOTES/PROCEDURES IF THEY ARE AVAILABLE.
 8. THIS PRODUCT HAS 100% TIN PLATING IN THE INTERFACE AND HAS NOT BEEN TESTED FOR WISKER GROWTH IN ALL INTERCONNECT ENVIRONMENTS.



NOTE 4
COMPANY LOGO CAVITY
IDENTIFICATION AND PROD
NO MOLDED ON THIS
SURFACE

mat'l. code	surface	tolerance	projection	product family
ISO 1302	ISO 406	ISO 1101	INCH/MM	HEADER
NOTE 2				
lfr	ecn no/dr	date	tolerances unless otherwise specified	title
C	W03-0413	GUP 4/15/03	XX±.01/.3	2x7 RIGHT ANGLE HEADER
D	M05-0167	ERE 7/23/05	lineof XXX±.005/.13	
E	M07-0116	AGS 2/19/07	0±.2	
	dr	S. ROTER	2/14/97	dwg no
	enfr	L. FYE	2/14/97	65695
	chr	L. FYE	2/14/97	sheet 1 of 1
	pppd	L. FYE	2/14/97	size
sheet	revision	C		A3
index	sheet	1		Product Customer Drawing