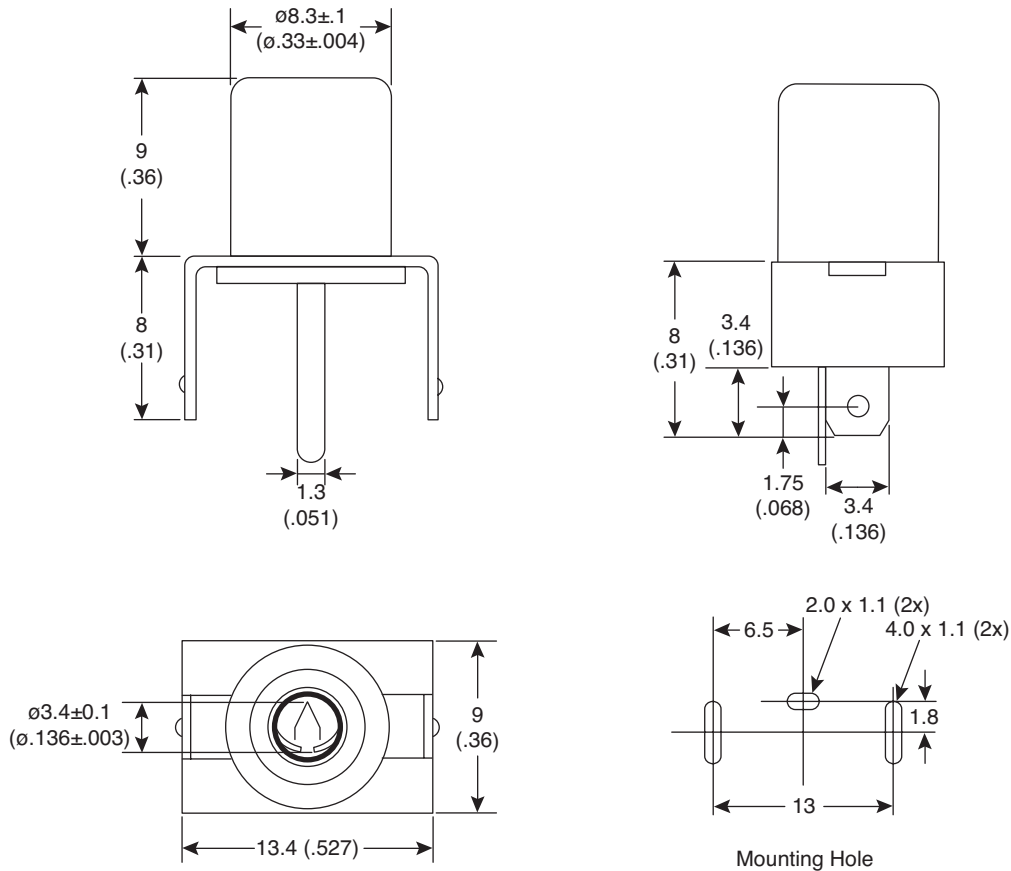


RCA Jack Panel Mount

161-R239A1-E, 161-R239A2-E



RCA Jack Panel Mount Jacks



Dimensions: mm (in.)

Tolerance
 0~6 $\pm 1(.004)$
 6~20 $\pm 2(.008)$
 20~ $\pm 3(.012)$

	Finish
161-R239A1-E	Nickel Plating/ Red insulator
161-R239A2-E	Gold Plating/ Red insulator

ELECTRICAL SPECIFICATIONS	
Rating:	10A 250VAC
Contact resistance:	20M Ω max.
Insulation resistance:	DC 500V 100M Ω min.
Dielectric strength:	AC 1000V 1 minute

MATERIAL SPECIFICATIONS			
Part	Material	Specification	Finish
Terminal	OSn6.5-0.1Y	T0.3	Ni-Plated
Outer Contact	H62M	T0.4	Ni-Plated
Housing	PBT	-	-
Washer	PBT	-	-
RoHS Compliant			

Date Last Revised: 6/6/13

Available from Mouser Electronics
 1-800-346-6873
www.mouser.com

KC-301081

161-R239A1-E, 161-R239A2-E

Mouser Electronics

Authorized Distributor

Click to View Pricing, Inventory, Delivery & Lifecycle Information:

[Kobiconn:](#)

[161-R239A1-E](#) [161-R239A2-E](#)