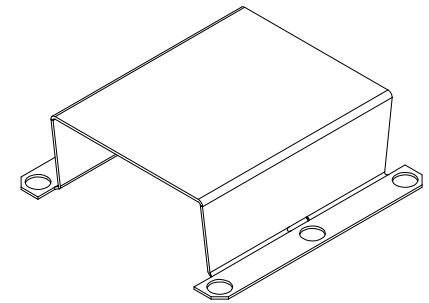
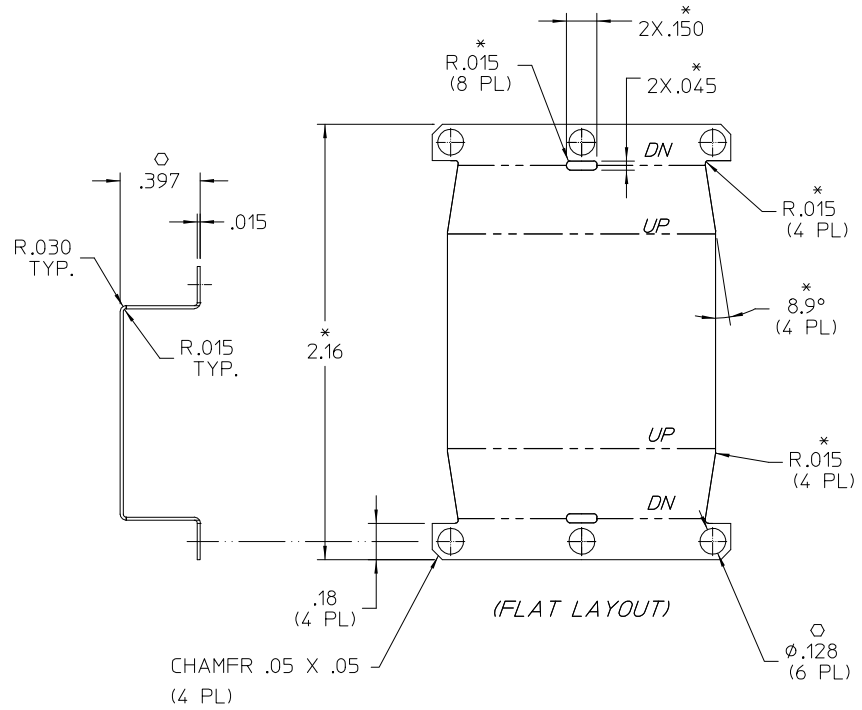
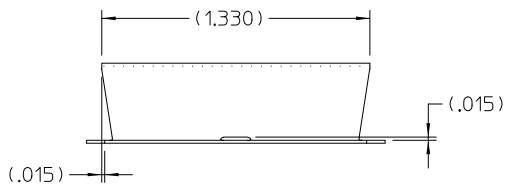
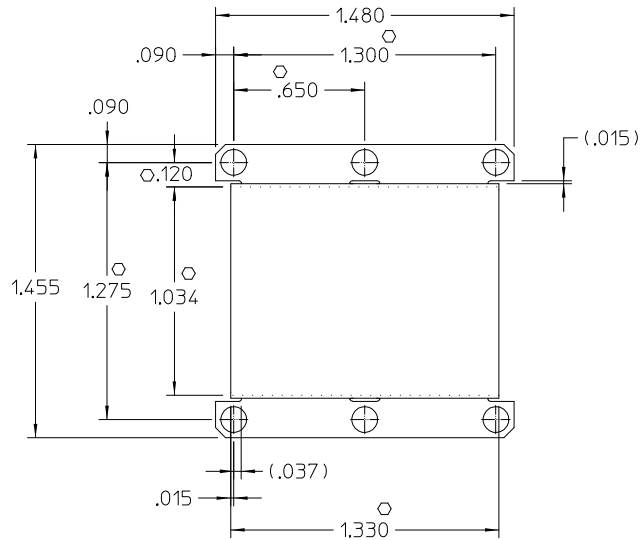


THIS DOCUMENT AND THE DATA DISCLOSED HEREIN OR HEREWITH IS NOT TO BE REPRODUCED, USED, OR DISCLOSED IN WHOLE OR IN PART TO ANYONE WITHOUT PERMISSION OF VICOR CORP.

REV.	DESCRIPTION	DATE	APPROVED
1	RELEASED PER E054227	11/17/05	EF



NOTES:

1. MATERIAL: ALUMINUM- (.015) THK, 5052
2. REMOVE BURRS & SHARP EDGES
3. "*" DIMS ARE NOT FOR VICOR INSPECTION.
4. O DENOTES CRITICAL CHARACTERISTIC FOR LOT INSPECTION.
5. CLEAR FINISH, RoHS COMPLIANT, CHROMIUM FREE PER CST-0001 LATEST REVISION.

DRAWN BY	DATE	VICOR	
P.E.IENI	05/25/05	SHIELD BASE PLATE SLOTTED (MICRO)	
UNLESS OTHERWISE SPECIFIED DIMENSIONS ARE IN INCHES - TOLERANCES ARE:		SIZE	REV
FRACTIONS DECIMALS ANGLES		C	1
+1/64 .XX+ .01 *1°		FSCM NO.	DWG NO.
.XXX-.005		67131	30141
THIRD ANGLE PROJECTION	SCALE	2:1	SHEET 1 OF 1
DO NOT SCALE DRAWING			

Mouser Electronics

Authorized Distributor

Click to View Pricing, Inventory, Delivery & Lifecycle Information:

[Vicor:](#)

[30141](#)