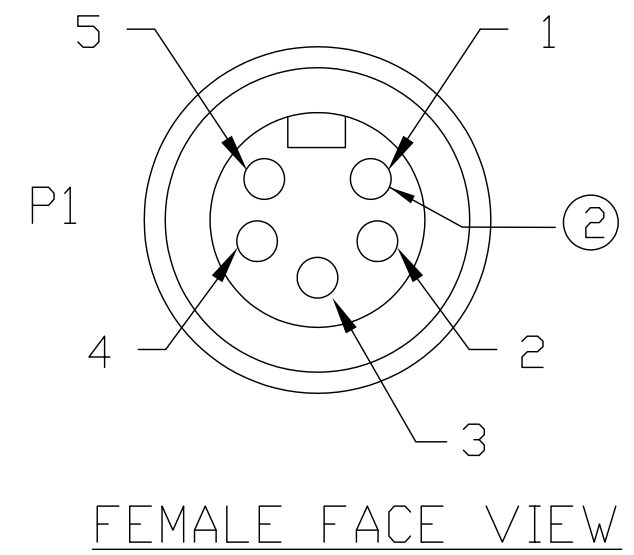
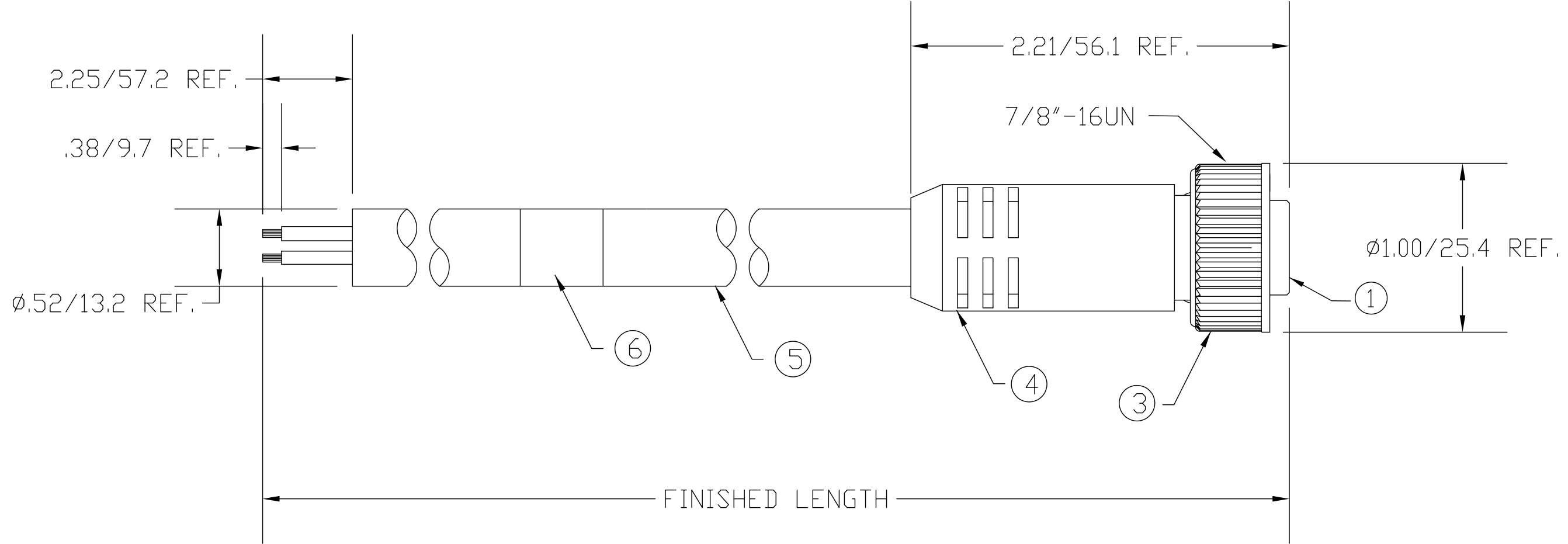
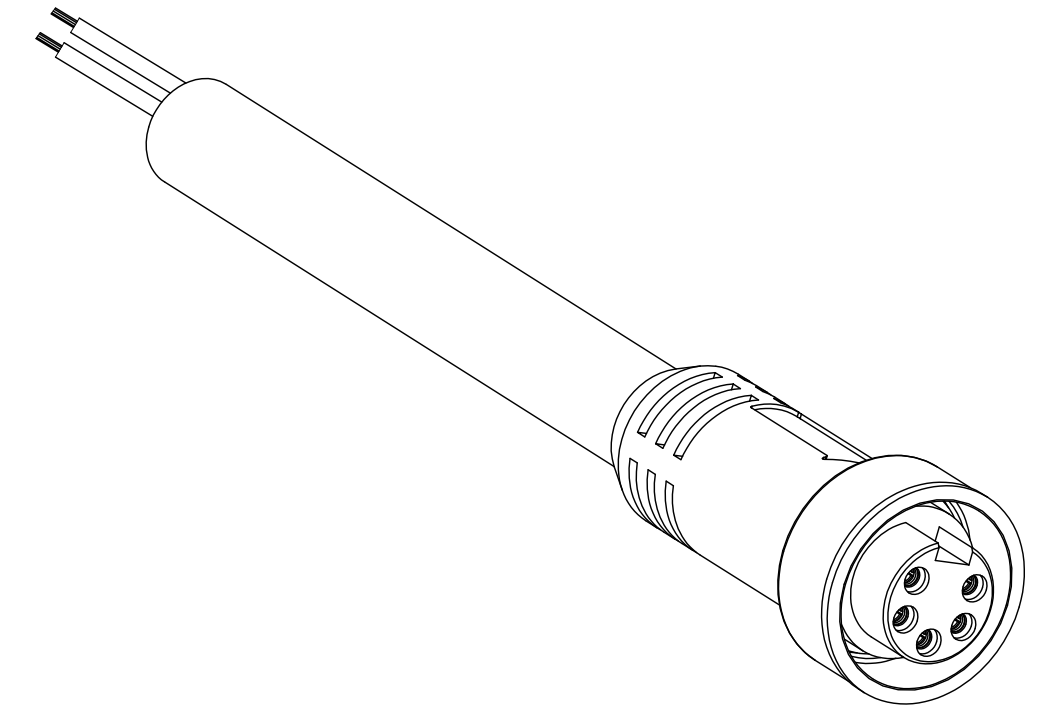


MATERIAL NUMBER	OLD PART NUMBER	FINISHED LENGTH
130006-1309	105000C01F030	3.00' +1.75" -0 [.9M +44.5 -0]
130006-1312	105000C01F060	6.00' +2.19" -0 [1.8M +55.6 -0]
130006-1314	105000C01F120	12.00' +3.50" -0 [3.7M +88.9 -0]
130006-1317	105000C01F200	20.00' +6.50" -0 [6.1M +165.1 -0]
130006-1320	105000C01F250	25.00' +12.50" -0 [7.6M +317.5 -0]



P1

1	RED WITH WHITE
2	RED
3	GREEN-GND
4	RED WITH ORANGE
5	RED WITH BLACK

WIRING DIAGRAM

VOLTAGE RATING	600 VAC/VDC
AMPERAGE RATING	8 AMPS
PROTECTION	IP67
OPERATING TEMPERATURE	-20°C TO 90°C
UL CERTIFICATIONS	UL RECOGNIZED, FILE NO. E46237
CSA CERTIFICATIONS	CSA CERTIFIED, FILE NO. LR6837

ITEM	COMPONENT	MATERIAL	FINISH
1	INSERT	PVC	YELLOW
2	CONTACT SOCKET	COPPER ALLOY	GOLD OVER NICKEL
3	COUPLING NUT	ZINC DIE CAST	BLACK E-COATED
4	OVERMOLD	PVC	YELLOW
5	CABLE- 16 AWG, (65 x #34 COPPER STRANDING) 5 CONDUCTOR 600V, UL SOO, CSA ST	RUBBER	YELLOW
6	LABEL	MYLAR	BLACK/YELLOW

RLSO DRAWING EC NO: WNA2010-0397 DRWN: BWOODMAN2009/12/28 CH'KD: LHARTMAN APPR: JFMURPHY 2010/01/05	QUALITY SYMBOL	GENERAL TOLERANCES (UNLESS SPECIFIED)		DIMENSION STYLE	SCALE	DESIGN UNITS	THIRD ANGLE PROJECTION
	$\nabla=0$ $\sphericalangle=0$	mm	INCH	IN/MM	1:1	INCH	
		4 PLACES	±---	±---	DRAWN BY	DATE	TITLE
		3 PLACES	±---	±.005	CHECKED BY	DATE	MINI-CHANGE 5P FP CORDSET AUTO 16/5 AWG SOO CABLE
		2 PLACES	±0.13	±.010	LH	2009/12/28	
	1 PLACE	±0.25	±.020	APPROVED BY	DATE	MOLEX INCORPORATED	
		ANGULAR ±1/2°		JFMURPHY	2010/01/05		
		DRAFT WHERE APPLICABLE MUST REMAIN WITHIN DIMENSIONS		MATERIAL NO.	DOCUMENT NO.	SHEET NO.	
				SEE CHART	SD-130006-022	1 OF 1	
		THIS DRAWING CONTAINS INFORMATION THAT IS PROPRIETARY TO MOLEX INCORPORATED AND SHOULD NOT BE USED WITHOUT WRITTEN PERMISSION					

Mouser Electronics

Authorized Distributor

Click to View Pricing, Inventory, Delivery & Lifecycle Information:

[Molex:](#)

[1300061309](#) [1300061320](#) [1300061314](#) [1300061317](#)