

**Circuits from the Lab<sup>®</sup>**  
Reference Designs

Circuits from the Lab<sup>®</sup> reference designs are engineered and tested for quick and easy system integration to help solve today's analog, mixed-signal, and RF design challenges. For more information and/or support, visit [www.analog.com/CN0376](http://www.analog.com/CN0376).

### Devices Connected/Referenced

AD7124-4	8-Channel, Low Noise, Low Power, 24-Bit, Sigma-Delta ADC with PGA and Reference
ADuM5010	2.5 kV rms, Isolated DC-to-DC Converter
ADuM1441	Micropower Quad-Channel Digital Isolator
ADP2441	36 V, 1 A, Synchronous, Step-Down DC-to-DC Regulator

## Channel-to-Channel Isolated Temperature Input (Thermocouple/RTD) for PLC/DCS Applications

### EVALUATION AND DESIGN SUPPORT

#### Circuit Evaluation Boards

[CN-0376 Circuit Evaluation Board \(EVAL-CN0376-SDPZ\)](#)  
[System Demonstration Platform \(EVAL-SDP-CB1Z\)](#)

#### Design and Integration Files

[Schematics, Layout Files, Bill of Materials](#)

### CIRCUIT FUNCTION AND BENEFITS

The circuit shown in Figure 1 provides a dual-channel, channel-to-channel isolated, thermocouple or RTD input suitable for programmable logic controllers (PLC) and distributed control systems (DCS). The highly integrated design utilizes a low power, 24-bit,  $\Sigma$ - $\Delta$  analog-to-digital converter (ADC) with a rich analog and digital feature set that requires no additional signal conditioning ICs.

Each channel can accept either a thermocouple or a RTD input. The entire circuit is powered from a standard 24 V bus supply. Each channel measures only 27 mm  $\times$  50 mm.

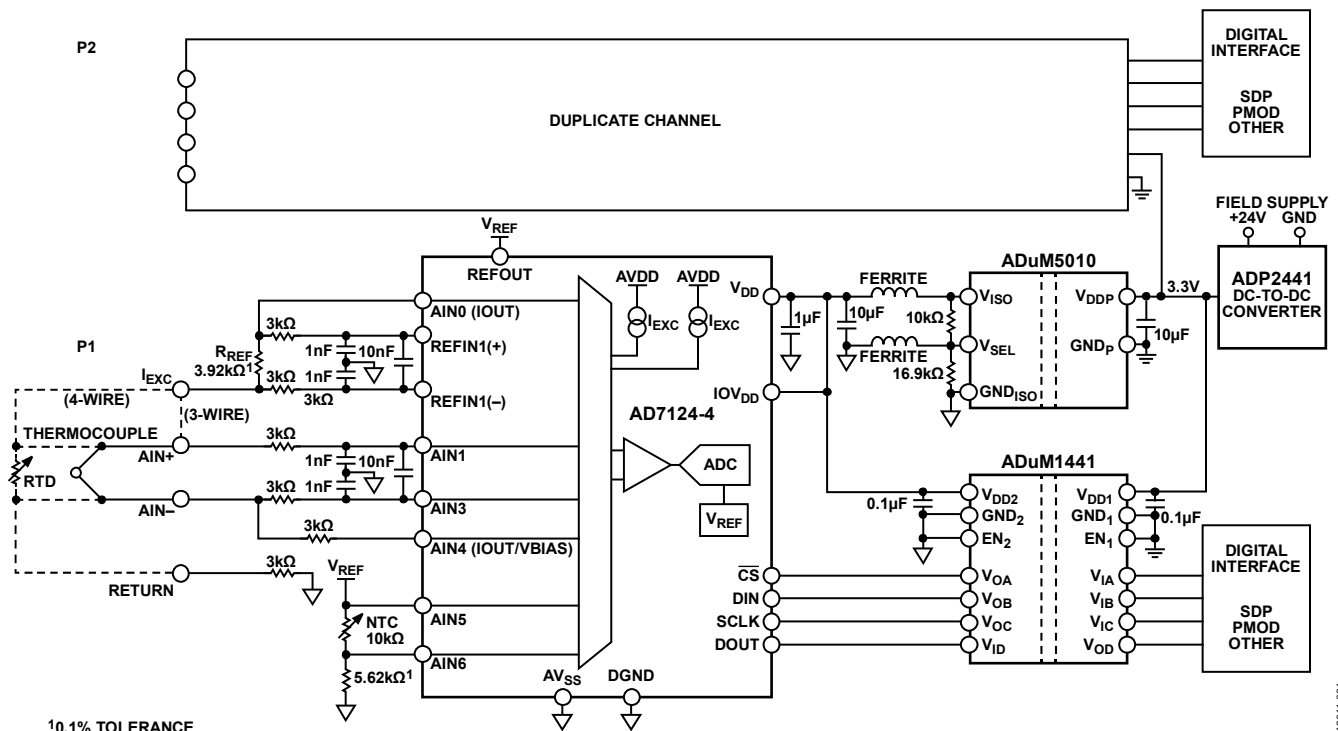


Figure 1. PLC/DCS Channel-to-Channel Isolated Temperature Input (Simplified Schematic: All Connections and Decoupling Not Shown)

#### Rev. 0

Circuits from the Lab reference designs from Analog Devices have been designed and built by Analog Devices engineers. Standard engineering practices have been employed in the design and construction of each circuit, and their function and performance have been tested and verified in a lab environment at room temperature. However, you are solely responsible for testing the circuit and determining its suitability and applicability for your use and application. Accordingly, in no event shall Analog Devices be liable for direct, indirect, special, incidental, consequential or punitive damages due to any cause whatsoever connected to the use of any Circuits from the Lab circuits. (Continued on last page)

## CIRCUIT DESCRIPTION

The **AD7124-4** 24-bit,  $\Sigma$ - $\Delta$  ADC with programmable gain array (PGA) and voltage reference provides the complete set of features to implement a flexible input capable of connection to either thermocouple or RTD sensors. Features include on-chip reference, PGA, excitation currents, bias voltage generator, and flexible filtering with enhanced 50 Hz and 60 Hz rejection options. The **AD7124-4** is in a small 5 mm  $\times$  5 mm LFCSP package, making it ideal in channel-to-channel isolated designs where space is a premium. It also includes multiple diagnostic functions that are available to the user.

The **ADuM5010** isolated dc-to-dc converter provides 3.3 V isolated power via integrated *isoPower*<sup>®</sup> technology. The **ADuM1441** isolates the serial peripheral interface (SPI) for the **AD7124-4**. The **ADuM1441** micropower isolator consumes only 4.8  $\mu$ A per channel when idle, resulting in an energy efficient solution.

The **ADP2441** 36 V, step-down, dc-to-dc regulator accepts an industrial standard 24 V supply, with wide tolerance on the input voltage. The **ADP2441** steps the input voltage down to 3.3 V to power all of the controller-side circuitry.

## System Overview

Channel-to-channel isolation is advantageous in automation systems, because faults on a particular input channel have no negative impact on other channels in the system. However, channel-to-channel isolated input modules present a significant design challenge in terms of complexity, space constraints, and system cost.

Both thermocouple or RTD inputs are commonly used in industrial automation systems; therefore, it is advantageous to design a temperature input module that handles both. This flexibility minimizes the design effort required for the two input module variants, and also offers flexibility to the module user.

The **AD7124-4** significantly reduces the design complexity, providing a system-on-chip capable of performing all the necessary measurement functions for both thermocouple and RTD sensors.

Each channel of the circuit in Figure 1 measures only 27 mm by 50 mm, and this area can be further reduced by using both sides of the printed circuit board (PCB) for populating components. This small size is achieved because the **AD7124-4** is in a small 5 mm  $\times$  5 mm LFCSP package and integrates almost all the required functions except the isolation and additional front-end filtering and protection. The isolation circuit consumes only 87 mm<sup>2</sup> for both the data and power isolation together, with a minimum combined width of 12.5 mm.

## Terminal Connections

Figure 2 shows the terminal connections for each of the two input channels. These terminals correspond to P1 and P2 in the hardware (see Figure 1). The thermocouple as well as 2-, 3-, or 4-wire RTD connections are shown.

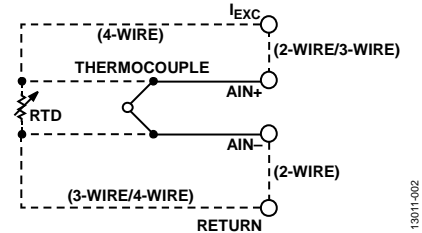


Figure 2. Terminal Connections (Per Channel)

## Input Filtering

As shown in Figure 3, the input common-mode noise filtering is provided by R1, C1 and R2, C2, and has a 50 kHz cutoff frequency, approximately. Differential noise filtering is provided by R1, R2, and C3 and has a 2.5 kHz cutoff frequency, approximately. It is particularly important to filter out any interference at the  $\Sigma$ - $\Delta$  modulator frequency (307 kHz in full-power mode). It is suggested to adjust the cutoff of these filters to meet system bandwidth requirements, with the cutoff of the common-mode filters being approximately 10 $\times$  the cutoff of the differential filter.

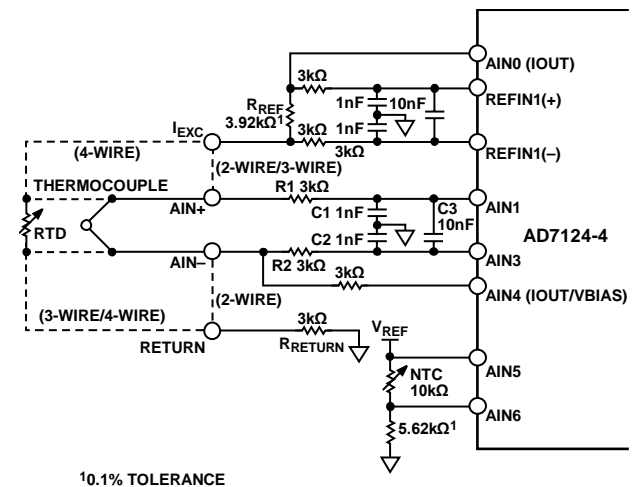


Figure 3. Front-End Filtering and Circuitry (Simplified)

## Input Protection

To protect the input from an overvoltage condition, 3 k $\Omega$  resistors were placed on every input path to the **AD7124-4**. This resistor value limits the current from a 30 V dc overvoltage to less than 10 mA.

Consider the condition for 30 V connected between AIN+ and AIN-. Looking in from AIN+, the 30 V sees R1 (3 k $\Omega$ ), followed by internal ESD protection diodes, followed by 3 k $\Omega$  looking out from AIN3 in parallel with 3 k $\Omega$  looking out from AIN4. Ignoring the internal ESD protection diodes, the total resistance seen between AIN+ and AIN- is 3 k $\Omega$  + 3 k $\Omega$  || 3 k $\Omega$  = 4.5 k $\Omega$ . The current through the **AD7124-4** is therefore limited to 30 V  $\div$  4.5 k $\Omega$  = 6.7 mA.

### RTD Input

The circuit in Figure 1 can be connected to 2-, 3-, or 4-wire RTDs. A resistance of up to 3.92 kΩ can be measured, making it suitable for Pt100 and Pt1000 RTDs. Current excitation is used, and the resistance measurement is a ratiometric measurement between the RTD and a precision 3.92 kΩ reference resistor ( $R_{REF}$ ). As shown in Figure 3, the RTD measurement is made between AIN1 and AIN3, using REFIN1+ and REFIN1– as the reference input for the measurement. The excitation currents are set as follows:

- 2-wire mode: only the excitation on AIN0 is active, set at 250 μA.
- 3-wire mode: both the excitation currents on AIN0 and AIN4 are active, each set at 100 μA.
- 4-wire mode: only the excitation on AIN0 is active, set at 250 μA.

A high-side current sense technique is used. For low values of lead resistance to the RTD, this technique reduces the effect of any current mismatch in 3-wire mode. See the [Circuit Note CN-0383](#) for more details on the 3-wire RTD configuration.

The reference resistor ( $R_{REF}$ ) was chosen to be 3.92 kΩ, which allows measurement of a Pt1000 RTD up to 850°C (the RTD resistance is 3.9048 kΩ at 850°C). The value of  $R_{REF}$  must be selected based on the highest expected resistance for the RTD. The accuracy of the  $R_{REF}$  resistor has a direct impact on the measurement accuracy; therefore, a precision, low drift resistor must be used.

The excitation current must be set to 250 μA in 4-wire mode and 100 μA in 3-wire mode. For 4-wire mode, assume an RTD value of 3.92 kΩ. The excitation current coming from AIN0 passes through;  $R_{REF} + R_{RTD} + R_{RETURN} = 3.92 \text{ k}\Omega + 3.92 \text{ k}\Omega + 3 \text{ k}\Omega = 10.84 \text{ k}\Omega$ . Therefore, the voltage at AIN0 is equal to  $250 \mu\text{A} \times 10.84 \text{ k}\Omega = 2.71 \text{ V}$ . The [AD7124-4](#) specifies an output compliance of  $AV_{DD} - 0.35 \text{ V}$  on the excitation current outputs, which corresponds to  $3.3 \text{ V} - 0.35 \text{ V} = 2.95 \text{ V}$ . Because  $2.95 \text{ V} > 2.71 \text{ V}$ , the 250 μA excitation current functions correctly even for the maximum RTD resistance.

See the [Circuit Note CN-0381](#) for more details on the 4-wire RTD configuration.

In 3-wire mode, the lead compensation excitation current from AIN4 also flows through the 3 kΩ return resistor, producing an additional voltage at AIN0 of  $250 \mu\text{A} \times 3 \text{ k}\Omega = 0.75 \text{ V}$ , thereby making the total voltage at AIN0 equal to  $2.71 \text{ V} + 0.75 \text{ V} = 3.46 \text{ V}$ , which violates the headroom requirement. Therefore, in 3-wire mode, the excitation currents must each be reduced to 100 μA to allow sufficient headroom.

The PGA gain can be used to increase the measurement resolution. For a Pt100 RTD, a gain of 8 is recommended (because Pt100 values are 10× smaller than Pt1000 values).

To achieve the desired accuracy, the RTD itself must be linearized in the software by the host controller, as described in the [Circuit Note CN-0383](#).

### Thermocouple Measurement

As shown in Figure 3, a thermocouple is connected between the AIN+ and AIN– terminals. The AIN4 pin provides a bias voltage for the thermocouple of  $3.3 \text{ V} \div 2 = 1.65 \text{ V}$ . The thermocouple voltage is measured between AIN1 and AIN3, and because the thermocouple signals are very small, a PGA gain of 32 or 64 is typically recommended.

A 10 kΩ NTC thermistor is used for cold junction compensation. A reference voltage excitation,  $V_{REF}$ , is taken from REFOUT, and a precision, low-drift 5.62 kΩ resistor is placed in series to ground. The NTC resistance value can be calculated by

$$R_{NTC} = \frac{V_{NTC}}{V_{REF} - V_{NTC}} \times 5.62 \text{ k}\Omega$$

where:

$V_{NTC}$  is the voltage measured between AIN1 and AIN3.

$V_{REF}$  is the reference voltage from the [AD7124-4](#) REFOUT.

Any temperature difference between the terminal block and the NTC temperature sensor directly impacts the resulting temperature reading for the thermocouple input. For this reason, the NTC thermistor must be placed as close to the terminal block as possible to maximize the thermal coupling.

To achieve the desired accuracy, the thermocouple and NTC must be linearized in the software by the host controller, as described in the [Circuit Note CN-0384](#).

### Diagnostics

The [AD7124-4](#) provides a number of system level diagnostics, including

- Reference detection
- Overvoltage/undervoltage detection on the input
- CRC on SPI communications
- CRC on the memory map
- SPI read/write checks

These diagnostics allow a high level of fault coverage for the input channels.

### Isolation

The data channels are isolated using the [ADuM1441](#), a quad-channel, micropower isolator, resulting in an energy efficient solution. The [ADuM1441](#) is in a small 5 mm × 6.2 mm, 16-lead QSOP package (30 mm<sup>2</sup>).

The [ADuM5010](#), a complete isolated switching converter utilizing *isoPower* technology, provides power isolation for the circuit. The [ADuM5010](#) is in a small 7.4 mm × 7.5 mm, 20-lead SSOP package (56.25 mm<sup>2</sup>).

Figure 4 shows details of the ADuM5010 circuitry. Ferrite beads are used on the secondary side of the supply to suppress any potential electromagnetic interference (EMI) emissions. The ferrite beads (Murata BLM18HK102SN1) are specifically chosen for their high impedance from 100 MHz to 1 GHz. Decoupling capacitors of 10  $\mu$ F and 0.1  $\mu$ F are also used. Both the ferrite beads and the capacitors use short traces to the ADuM5010 pins to minimize parasitic inductance and resistance.

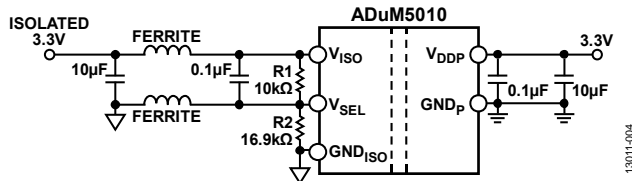


Figure 4. isoPower Circuit with Ferrite Beads and Decoupling Capacitors

The stitching capacitance is kept to a minimum size because the ferrite beads significantly reduce the emissions. The PCB area between the ADuM5010 supply, the GND pins, and the ferrite beads is kept clear of any ground planes or traces to minimize the capacitive coupling of any high frequency noise into the ground plane. See the AN-0971 Application Note for additional information on controlling radiated emissions from isoPower devices.

The R1 and R2 feedback resistors are chosen to select a 3.3 V output as per the ADuM5010 data sheet.

### Power Consumption per Channel

The ADuM5010 typically consumes 3.3 mA from the controller-side supply. The efficiency of the ADuM5010 is only 27% at full load; therefore, minimizing the current drawn from field side significantly impacts the energy efficiency of the channel.

The AD7124-4 consumes ~994  $\mu$ A (full power mode, gain = 32, TC bias, diagnostics and internal reference enabled). The AD7124-4 power can be significantly reduced by using the mid power or low power modes.

For the ADuM1441, the field side consumes a total of approximately 7.2  $\mu$ A when idle and 552  $\mu$ A when operating at

2 Mbps. If the interface is active 1/8th of the time, the power consumption for the ADuM1441 is  $(552 \mu\text{A} \times 0.125) + (7.2 \mu\text{A} \times 0.875) = 75.3 \mu\text{A}$  total.

The measured power consumption for an input channel operating in full power mode, gain = 32, internal reference, and TC bias enabled was 7.9 mA from the controller-side 3.3 V supply.

### Power Supply Circuit

The evaluation board is powered by a 4.5 V to 36 V dc power supply and uses an on-board switching regulator to provide the 3.3 V supply to the system, as shown in Figure 5. The EVAL-SDP-CB1Z System Demonstration Platform (SDP) board provides a regulated 3.3 V for the digital interface.

The ADP2441 includes programmable soft start, regulated output voltage, switching frequency, and power good. These features are programmed externally via tiny resistors and capacitors. The ADP2441 also includes protection features, such as undervoltage lockout (UVLO) with hysteresis, output short-circuit protection, and thermal shutdown.

A 300 kHz switching frequency maximizes the efficiency of the ADP2441. Due to the high switching frequency of the ADP2441, using shielded ferrite core inductors is recommended because of their low core losses and low EMI.

In the Figure 5 circuit, the switching frequency is set to approximately 300 kHz using a 294 k $\Omega$  external resistor. The inductor value of 22  $\mu$ H (Coilcraft LPS6235-223MLC) was chosen using the downloadable ADP2441 Buck Regulator Design Tool. This tool selects the best component values based on the required operating conditions (4.5 V to 36 V input, 3.3 V output, 1 A output current). A current of 1 A was selected to power additional circuits on the host controller side if required.

A complete set of documentation for the EVAL-CN0376-SDPZ circuit evaluation board including schematic, assembly, layout, Gerbers, and bill of materials is available at [www.analog.com/CN0376-DesignSupport](http://www.analog.com/CN0376-DesignSupport).

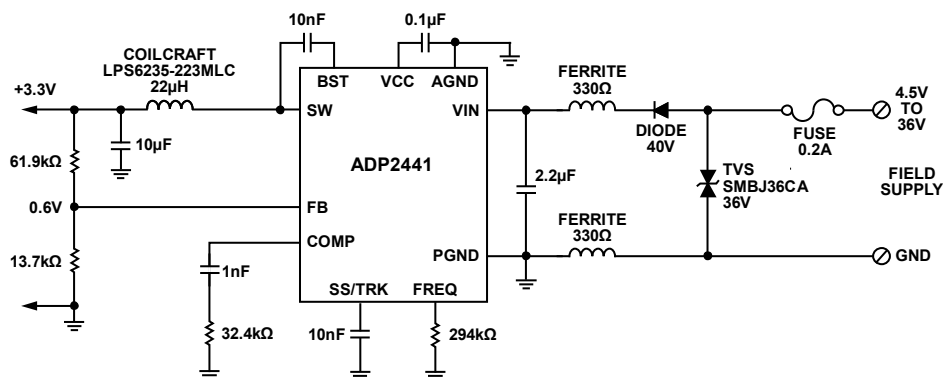


Figure 5. Power Supply Circuit (Simplified Schematic: All Connections Not Shown)

### Testing Results

For detailed performance analysis of the thermocouple, 3-wire and 4-wire RTD circuits, see the [Circuit Note CN-0381](#), [Circuit Note CN-0383](#), and [Circuit Note CN-0384](#) for in depth analysis and measurement results.

Figure 6 shows a histogram for the [EVAL-CN0376-SDPZ](#) using the 25 SPS post filter, with AIN+ shorted to AIN-, gain = 32, and TC bias enabled. The data corresponds to 17.85-bit noise-free code resolution.

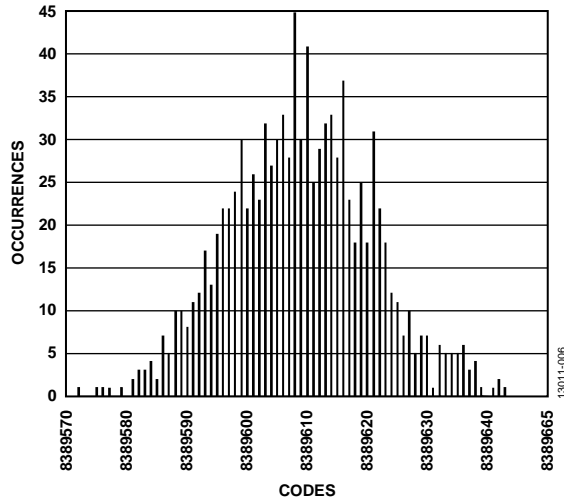


Figure 6. Histogram of Codes for the AIN+ and AIN- Shorted Inputs (25 SPS, Post Filter Selected, Gain = 32, TC Bias Enabled)

### COMMON VARIATIONS

If more channels are needed, the [AD7124-8](#) can be used. The [AD7124-8](#) has 8 differential or 16 single-ended inputs. The [AD7792](#) can also be considered as a lower cost option, but with reduced features and performance.

Alternate options for the data isolation are to use a SPI Isolator™ such as the [ADuM3151](#), which supports up to 17 MHz SPI transmission as well as containing three general-purpose, low speed, isolated channels.

An NTC thermistor is used for cold junction compensation in the circuit shown in Figure 1. Another option is to use the [ADT7320](#) digital temperature sensor, which is 0.25°C accurate. (see the [Circuit Note CN-0172](#)).

## CIRCUIT EVALUATION AND TEST

The circuit shown in Figure 1 uses the [EVAL-CN0376-SDPZ](#) evaluation board and the [EVAL-SDP-CB1Z](#) SDP controller board.

The [EVAL-CN0376-SDPZ](#) evaluation board features PMOD-compatible headers for integration with external controller boards.

The [CN-0376 Evaluation Software](#) communicates with the SDP board to configure and capture data from the [EVAL-CN0376-SDPZ](#) evaluation board.

### Equipment Needed

The following equipment is needed:

- PC with a USB port and Windows® Vista (32-bit) or Windows 7 (32-bit)
- [EVAL-CN0376-SDPZ](#) circuit evaluation board
- [EVAL-SDP-CB1Z](#) SDP controller board
- [CN-0376 Evaluation Software](#)
- Precision voltage and resistance source, or alternately a thermocouple or RTD simulator.
- Power supply: 4.5 V to 36 V dc at 100 mA

### Getting Started

Install the [CN-0376 Evaluation Software](#), which is available for download at <ftp://ftp.analog.com/pub/cftl/CN0376/>. Follow the on-screen prompts to install and use the software. More information is available in the [CN-0376 Software User Guide](#).

### Test Setup Functional Block Diagram

Figure 7 shows a functional block diagram of the test setup.

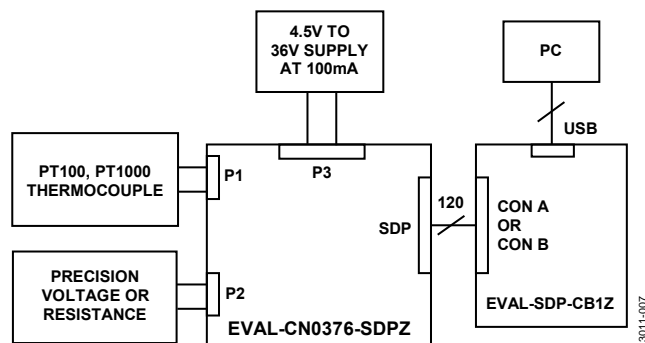


Figure 7. Test Setup Functional Block Diagram

### Setup

The [EVAL-CN0376-SDPZ](#) evaluation board connects to the [EVAL-SDP-CB1Z](#) SDP board through a 120-pin mating connector found on both boards. The [CN-0376 Evaluation Software](#) and the SDP board allow the data to be analyzed using a PC.

Apply a voltage in the range of 4.5 V to 36 V (24 V nominal) to the P3 connector. Ensure that the P8 jumper is set to EXT (default), which powers the board via the P3 supply input.

External controllers can also be used to communicate with and power the evaluation board using the PMOD headers for SPI communication. If desired, set the P8 jumper to VCC\_PMOD to power the board from 3.3 V via the PMOD connector.

Precision voltage and resistance sources can be used as input to the analog front end to evaluate system performance. Similarly, thermocouple or RTD simulators can be used.

Figure 8 shows a photo of the [EVAL-CN0376-SDPZ](#) circuit evaluation board.

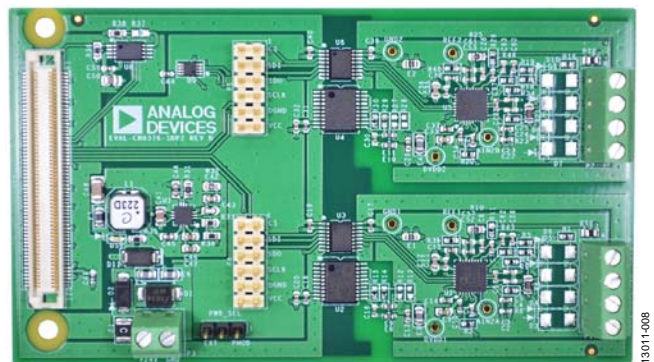


Figure 8. Photo of [EVAL-CN0376-SDPZ](#) Circuit Evaluation Board

**LEARN MORE**

CN-0376 Design Support Package:

[www.analog.com/CN0376-DesignSupport](http://www.analog.com/CN0376-DesignSupport)

[SDP-B User Guide](#)

[CN-0376 Software User Guide](#)

Duff, Matthew and Joseph Towey. *Two Ways to Measure Temperature Using Thermocouples Feature Simplicity, Accuracy, and Flexibility*. Analog Dialogue 44-10, Analog Devices.

Cantrell, Mark. Application Note AN-0971. *Recommendations for Control of Radiated Emissions with isoPower Devices*. Analog Devices.

Kester, Walt. "Temperature Sensors," Chapter 7 in *Sensor Signal Conditioning*. Analog Devices, 1999.

McCarthy, Mary. AN-615 Application Note. *Peak-to-Peak Resolution Versus Effective Resolution*. Analog Devices.

McNamara, Donal. AN-892 Application Note. *Temperature Measurement Theory and Practical Techniques*. Analog Devices.

Looney, Mike. AN-0970 Application Note. *RTD Interfacing and Linearization Using an ADuC706x Microcontroller*. Analog Devices.

Cantrell, Mark. MS-2644 Technical Article. *Ultralow Power Opening Applications to High Speed Isolation*. Analog Devices.

MT-031 Tutorial. *Grounding Data Converters and Solving the Mystery of "AGND" and "DGND"*. Analog Devices.

MT-101 Tutorial. *Decoupling Techniques*. Analog Devices.

Circuit Note CN-0172. *3-Channel Thermocouple Temperature Measurement System with 0.25 °C Accuracy*. Analog Devices.

Circuit Note CN-0206. *Thermocouple Temperature Measurement System with Less Than 500  $\mu$ A Current Drain*. Analog Devices.

Circuit Note CN-0209. *Fully Programmable Universal Analog Front End for Process Control Applications*. Analog Devices.

Circuit Note CN-0325. *PLC/DCS Universal Analog Input Using Either 4 or 6 Pin Terminal Block*. Analog Devices.

Circuit Note CN-0381. *Completely Integrated 4-Wire RTD Measurement System Using a Low Power, Precision, 24-Bit, Sigma-Delta ADC*. Analog Devices.

Circuit Note CN-0382. *Isolated 4 mA to 20 mA/HART Temperature and Pressure Industrial Transmitter using a Low Power, Precision, 24-Bit, Sigma-Delta ADC*. Analog Devices.

Circuit Note CN-0383. *Completely Integrated 3-Wire RTD Measurement System Using a Low Power, Precision, 24-Bit, Sigma-Delta ADC*. Analog Devices.

Circuit Note CN-0384. *Completely Integrated Thermocouple Measurement System Using a Low Power, Precision, 24-Bit, Sigma-Delta ADC*. Analog Devices.

**Data Sheets and Evaluation Boards**

[CN-0376 Circuit Evaluation Board \(EVAL-CN0376-SDPZ\)](#)

[System Demonstration Platform \(EVAL-SDP-CB1Z\)](#)

[AD7124-4 Data Sheet](#)

[ADuM1441 Data Sheet](#)

[ADuM5010 Data Sheet](#)

[ADP2441 Data Sheet](#)

**REVISION HISTORY**

7/15—Revision 0: Initial Version

(Continued from first page) Circuits from the Lab reference designs are intended only for use with Analog Devices products and are the intellectual property of Analog Devices or its licensors. While you may use the Circuits from the Lab reference designs in the design of your product, no other license is granted by implication or otherwise under any patents or other intellectual property by application or use of the Circuits from the Lab reference designs. Information furnished by Analog Devices is believed to be accurate and reliable. However, Circuits from the Lab reference designs are supplied "as is" and without warranties of any kind, express, implied, or statutory including, but not limited to, any implied warranty of merchantability, noninfringement or fitness for a particular purpose and no responsibility is assumed by Analog Devices for their use, nor for any infringements of patents or other rights of third parties that may result from their use. Analog Devices reserves the right to change any Circuits from the Lab reference designs at any time without notice but is under no obligation to do so.

©2015 Analog Devices, Inc. All rights reserved. Trademarks and registered trademarks are the property of their respective owners.  
CN13011-0-7/15(0)



# Mouser Electronics

Authorized Distributor

Click to View Pricing, Inventory, Delivery & Lifecycle Information:

[Analog Devices Inc.:](#)

[EVAL-CN0376-SDPZ](#)