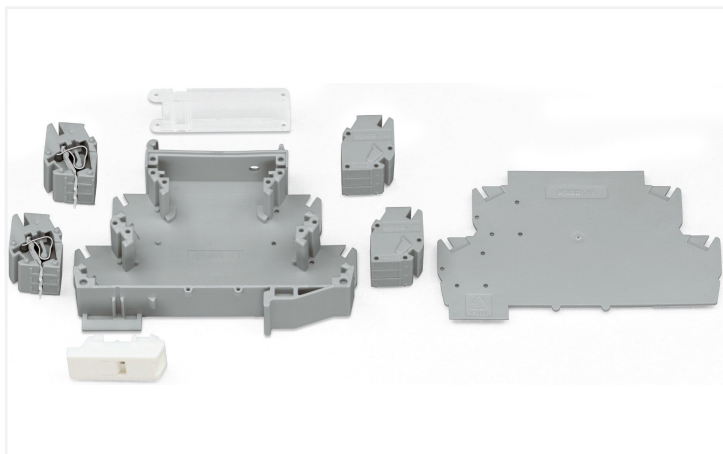


# Data Sheet | Item Number: 789-133

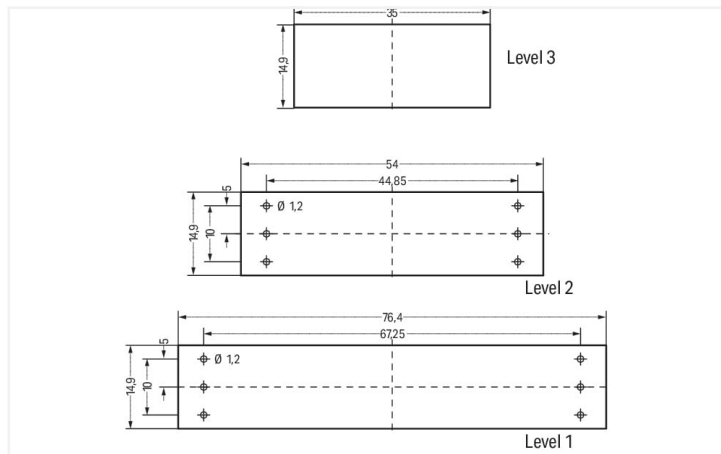
PCB terminal block; 2.5 mm<sup>2</sup>; Pin spacing 5 mm; 3-pole; CAGE CLAMP®; 2,50 mm<sup>2</sup>; gray

<https://www.wago.com/789-133>

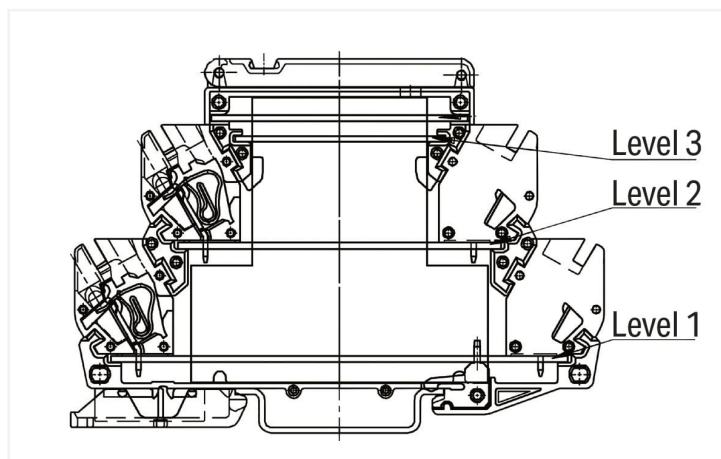
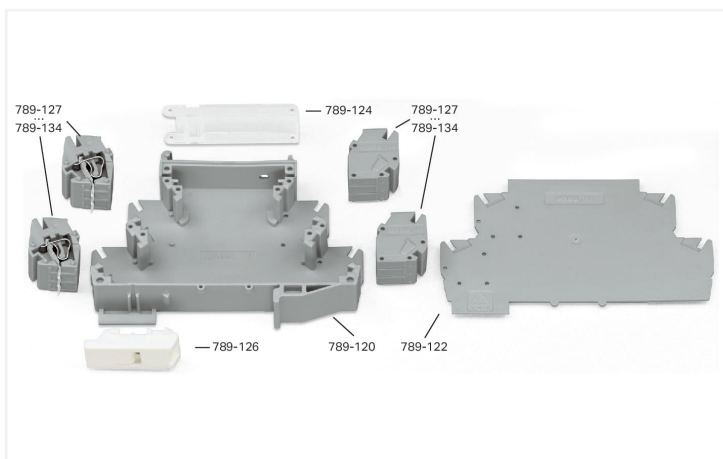


Color: ■ gray

Similar to illustration



PCB dimensions, vertical mounting: (PCB thickness max. 1.5 mm) in level 1; (PCB thickness max. 1 mm) in level 2 and 3



Universal modular component plug housing, as rail-mount terminal block – compact terminal block, 3-pole: OOC\*  
(\*C = with clamping spring; O = without clamping spring; Housing open on the right side)

## Connection data

Pole number	3
Connections (number)	1

## Mechanical Data

Housing design	DIN-rail-mount enclosure
Suitable	for 789-120

### Material Data

Color	gray
Insulation material	Polyamide (PA66)
Flammability class per UL94	V0
Fire load	0.062 MJ
Weight	2.7 g

### Environmental requirements

Processing temperature	-25 ... +70 °C
------------------------	----------------

### Commercial data

eCl@ss 10.0	27-18-27-02
eCl@ss 9.0	27-18-27-02
ETIM 8.0	EC001031
ETIM 7.0	EC001031
PU (SPU)	100 (1) pcs
Packaging type	Box
Country of origin	DE
GTIN	4044918611787
Customs tariff number	85369010000

### Downloads




#### Environmental Product Compliance

##### Compliance Search

Environmental Product  
Compliance 789-133



#### CAD/CAE-Data

<b>CAD data</b>	<b>CAE data</b>
2D/3D Models 789-133	WSCAD Universe 789-133
	
	ZUKEN Portal 789-133
	

### 1 Compatible Products

#### 1.1 Optional Accessories

##### 1.1.1 Ferrule

### 1.1.1.1 Ferrule



**Item No.: 216-241**

Ferrule; Sleeve for 0.5 mm<sup>2</sup> / 20 AWG; insulated; electro-tin plated; electrolytic copper; gastight crimped; acc. to DIN 46228, Part 4/09.90; white

**Item No.: 216-242**

Ferrule; Sleeve for 0.75 mm<sup>2</sup> / 18 AWG; insulated; electro-tin plated; electrolytic copper; gastight crimped; acc. to DIN 46228, Part 4/09.90; gray

**Item No.: 216-243**

Ferrule; Sleeve for 1 mm<sup>2</sup> / AWG 18; insulated; electro-tin plated; electrolytic copper; gastight crimped; acc. to DIN 46228, Part 4/09.90; red

**Item No.: 216-244**

Ferrule; Sleeve for 1.5 mm<sup>2</sup> / AWG 16; insulated; electro-tin plated; electrolytic copper; gastight crimped; acc. to DIN 46228, Part 4/09.90; black

### 1.1.2 System enclosure

#### 1.1.2.1 DIN-rail-mount enclosure



**Item No.: 789-120**

Housing 55 mm; gray