



Mounting bracket  
with strain  
relief option

One-piece  
link-design

Crossbar, snap-open along  
inner radius with film-hinge

Dirt-repellent  
exterior

Closed  
outside

### **+** Snap-open along inner radius

#### When to use the Series 14 E2 mini:

- If an e-chain® with an inner height of 20 mm and small bending radii are required
- For inner widths up to 50 mm
- For unsupported lengths up to 0,65 m and fill weights up to 0,5 kg/m
- If snap-open mechanism with film-hinge is required



#### When to use a different igus® Series:

- For gliding applications
- ▶ **Series 15 zipper, page 4.38**
- For long unsupported travels
- ▶ **Series 15 zipper, page 4.38**

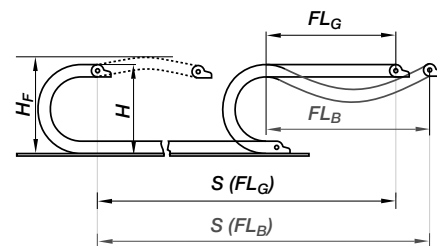
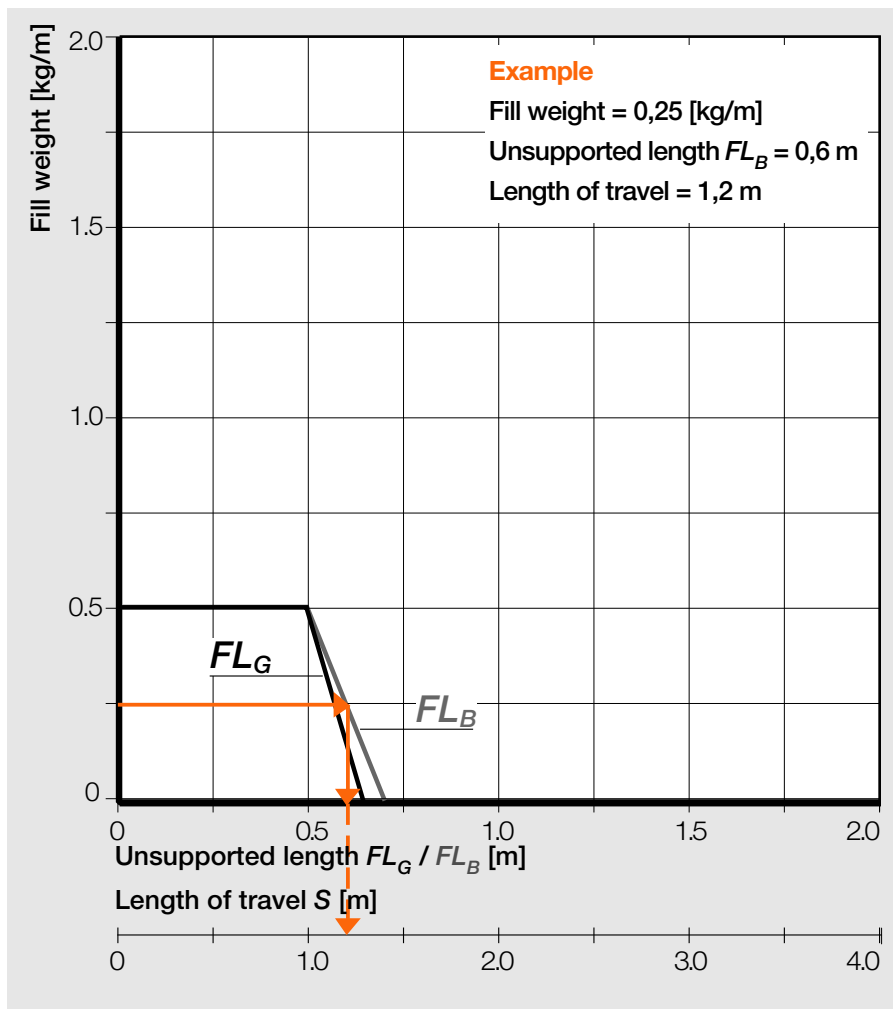


**Available from stock. Delivery in 24h or today!\***

\*Delivery time means time until shipping of goods



3D-CAD files, configurators, PDF ▶ [www.igus.de/en/14](http://www.igus.de/en/14)



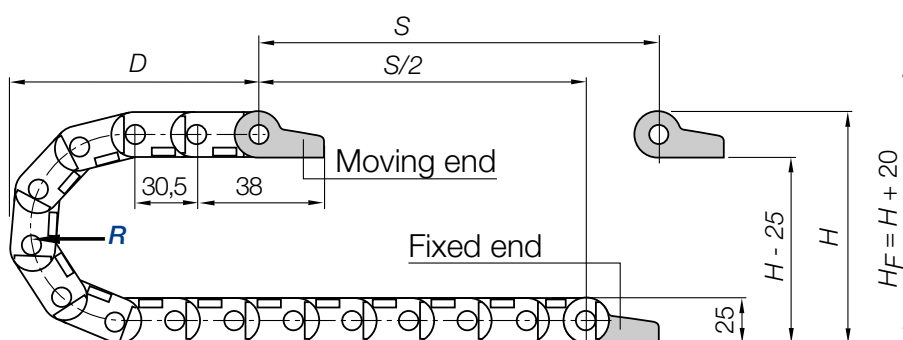
**Standard** **Unsupported applications**

Unsupported e-chains® feature positive camber over short travels. This must be accounted for when specifying the clearance height  $H_F$ . Please consult igus® if space is particularly restricted. More information ► **Design, page 1.8**

**Technical Data**

Speed, material, temperature and flammability class ► **page 5.78**

**Pitch** = 30,5 mm/link  
**Links/m** = 33 (1.006,5 mm)  
**Chain length** =  $S/2 + K$



R	028	038	048	075	100	125
H	81	101	121	175	225	275
D	86	96	106	133	158	183
K	150	185	215	300	380	455

The required clearance height:  $H_F = H + 20$  mm (with 0,5 kg/m fill weight)

- i**  $FL_G$  = with straight upper run      **S** = Length of travel      **H** = Nominal clearance height      **D** = Overlength e-chain®, radius in final position
- $FL_B$  = with permitted sag      **R** = Bending radius       $H_F$  = Required clearance height      **K** =  $\pi \cdot R + \text{"safety"}$

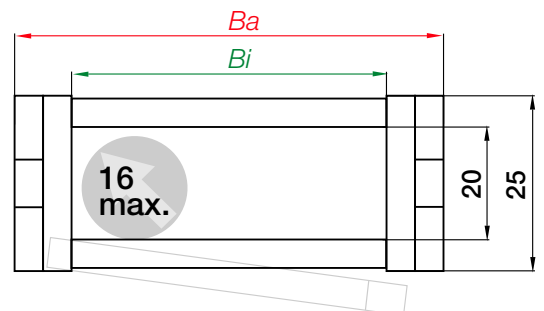
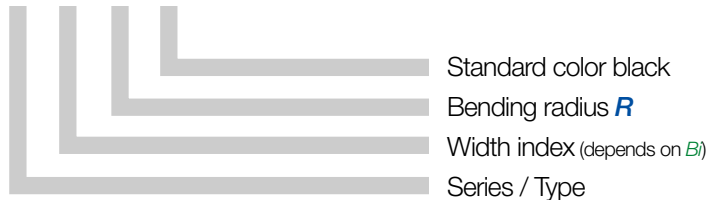


### Series 14 | One-piece, snap-open along inner radius with film-hinge

Snap-open along inner radius	<i>Bi</i> [mm]	<i>Ba</i> [mm]	<i>R</i> Bending radii [mm]	Weight [kg/m]
14.1. <i>R</i> .0	15	26	028   038   048   075   100   125	≈ 0,31
14.2. <i>R</i> .0	25	36	028   038   048   075   100   125	≈ 0,32
14.3. <i>R</i> .0	38	49	028   038   048   075   100   125	≈ 0,40
14.4. <i>R</i> .0	50	61	028   038   048   075   100   125	≈ 0,41

Supplement Part No. with required radius (*R*). Example: **14.2.038.0**

#### Order key 14.2.038.0



 **14.2.038.0** = e-chain® snap-open along inner radius, *Bi* 25 mm inner width, *R* 038 mm radius, color black  
 More order examples and configuration options ► page 5.110

 **Standard e-chains® available from stock. Delivery in 24h or today!\***  
 \*Delivery time means time until shipping of goods

**Moving end**  
114...1P(Z)

**Fixed end**  
114...2P(Z)

**Moving end**

**Fixed end**

Material mounting bracket - igumid G,  
temp. -40° up to +120° C, VDE 0304 IIC UL94 HB

## Polymer locking, one-piece | Universal for e-chains® Recommended for unsupported applications

Width Index	Part No. full set with tiewrap plates	Part No. full set without tiewrap plates	Dim. A [mm]	Dim. B [mm]	Number of teeth
1.	▶ 114.1.12PZ	114.1.12P	–	26,3	2
2.	▶ 114.2.12PZ	114.2.12P	10	36,3	3
3.	▶ 114.3.12PZ	114.3.12P	23	49,3	4
4.	▶ 114.4.12PZ	114.4.12P	35	61,3	5



- One-piece mounting bracket
- Available with or without strain relief tiewrap plates
- Corrosion-resistant
- Various installation options on the fixed end and/or the moving end
- Inner and outer attachment possible

Possible installation conditions for assembled mounting brackets:  
For the **preassembled** mode please add index **A1... A4** ▶ e.g. **114.2.12PZA1**

### Additional Features



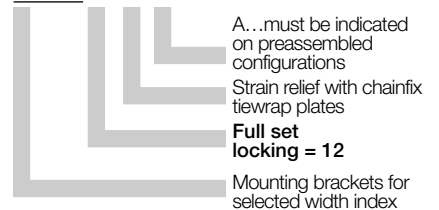
**Quicksnap** - the complete, detachable mounting unit, available upon request



**Quickfix** - mounting bracket with dowel, available upon request

### Part No. structure

**114.2.12PZA1**



### Single-part order

Mounting bracket **Moving end**

**114.2.1PZA1** (preass. + tiewrap plate)

Mounting bracket **Fixed end**

**114.2.2PZA1** (preass. + tiewrap plate)



**Strain relief** e.g. clamps, tiewrap plates, nuggets and plug-in clips are available from stock. The complete chainfix range with order options ▶ from page 10.1

# E2 mini | Series 14 | Options and order key



Standard

NC-Version -  
(no camber)  
without pretension

Reverse bending  
radius for circular  
movements

Unsupported  
lengths +25%  
possible

ATEX / ESD  
classified e-chains®  
 II 2 GD

Part No.  
Standard  
e-chains®



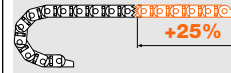
Part No.  
NC-Material  
e-chains®



Part No.  
RBR  
e-chains®



Part No.  
XXL-Material\*  
e-chains®



Part No.  
ESD-Material  
e-chains®



14.2.R.0

14.2.R.0.NC

14.2.R1/R2.0

14.2.R.0.XXL

14.2.R.0.ESD



Delivery time  
24h or today!\*

Delivery time  
3-5 work days

Delivery time  
10 work days

Delivery time  
1-2 weeks

Delivery time  
5 work days

(2-5 work days at an  
express surcharge)

## Order example | Order key and color options



Order example for complete e-chain® (1,0 m),  
color black, with mounting brackets:

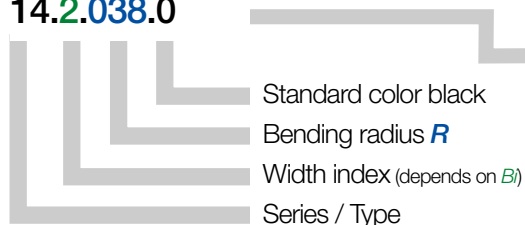
e-chain® (1,0 m) Please indicate e-chain® length or number of links: 1,0 m or 33 links **14.2.038.0**

+ Mounting brackets 1 set (with integrated strain relief) **114.2.12PZ**

Order text: 1,0 m 14.2.038.0 + 114.2.12PZ



Order key  
**14.2.038.0**



**Black e-chains® from stock!**

\*Colored e-chains® delivered in 15 work days (Delivery in 5 work days at an express surcharge, available upon request!)

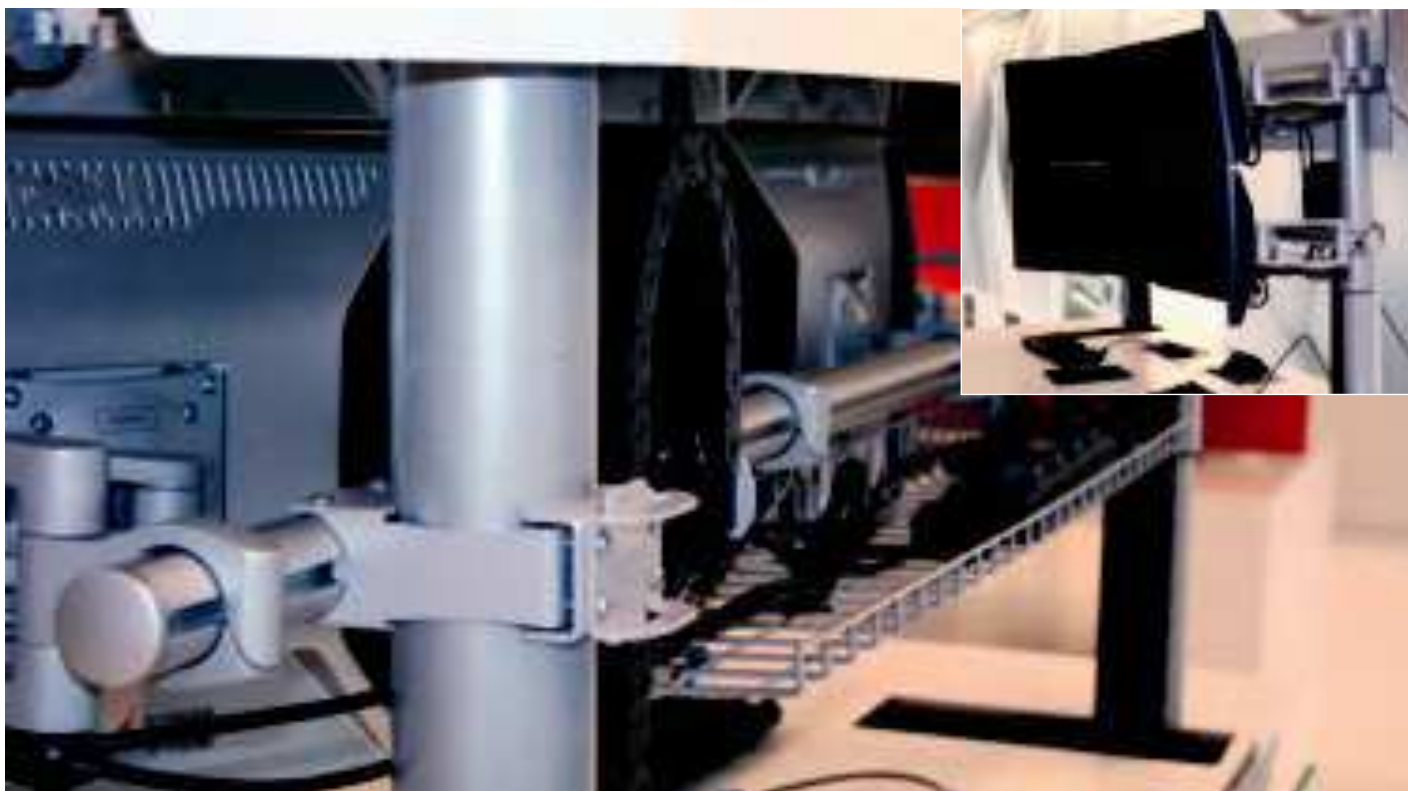
## Color options for e-chains® and e-tubes

Color	Order index	Color	Order index
black	<b>.0 from stock!</b>	green*	<b>.7</b>
white*	<b>.1</b>	grey*	<b>.3</b> for e-chains®
violet*	<b>.5</b>	dusty grey*	<b>.3</b> for e-tubes
yellow*	<b>.4</b>	agate grey*	<b>.11</b>
orange*	<b>.2</b>	light grey*	<b>.14</b>
red*	<b>.6</b>	black grey*	<b>.13</b>
blue*	<b>.8</b>	yellow/black*	<b>.9</b>



**Available from stock. Delivery in 24h or today!\***

\*Delivery time means time until shipping of goods



Cost-effective cable guidance with E2 mini