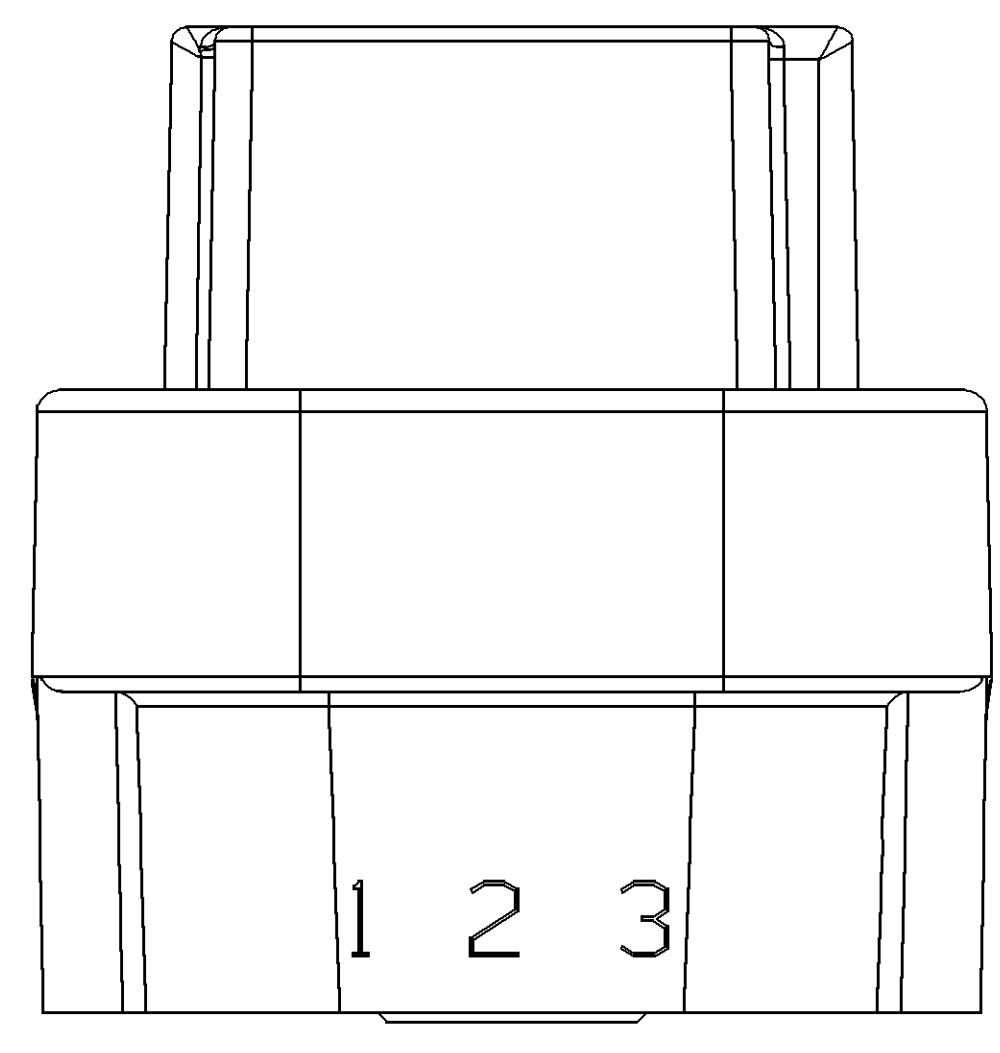
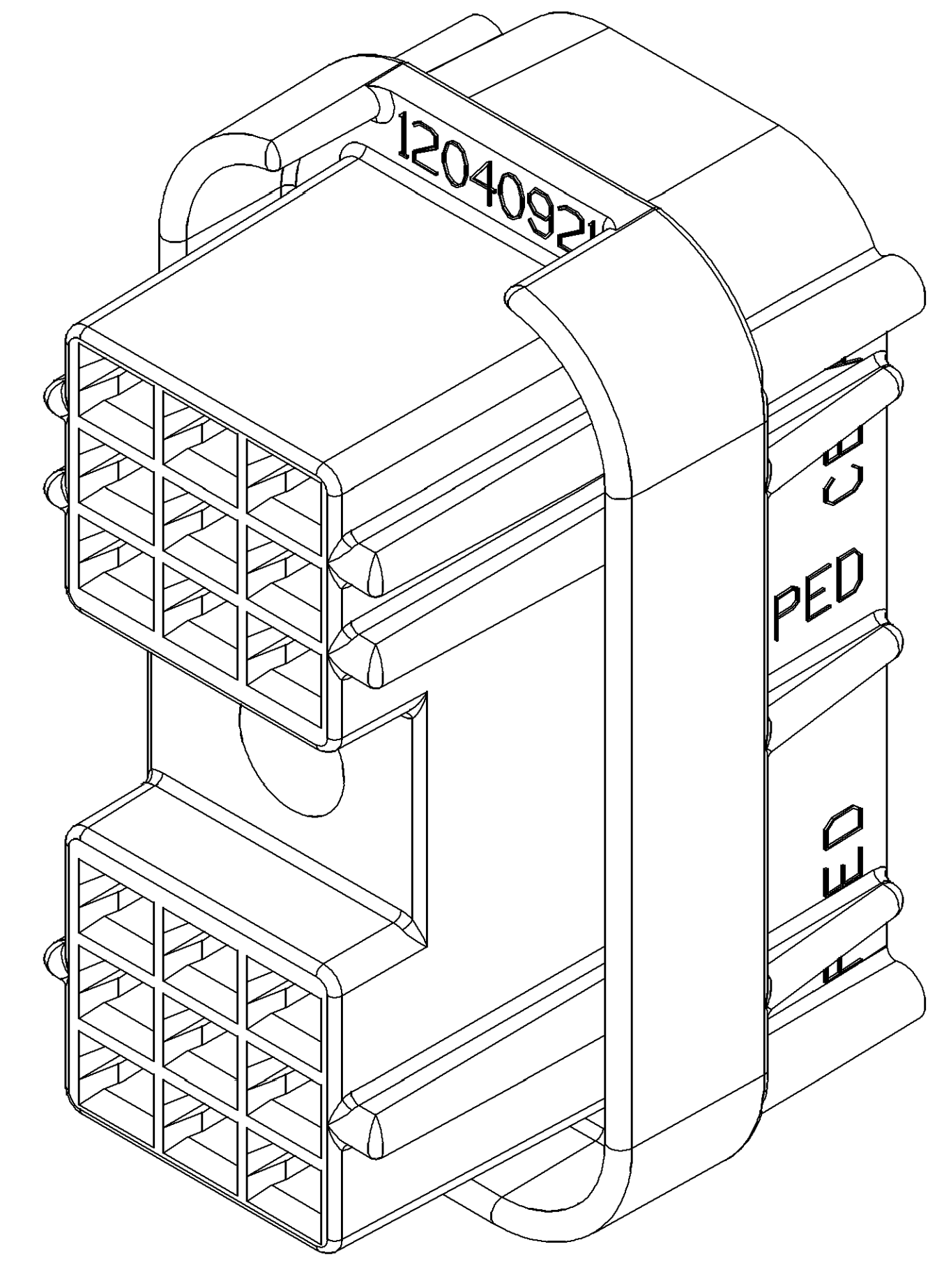
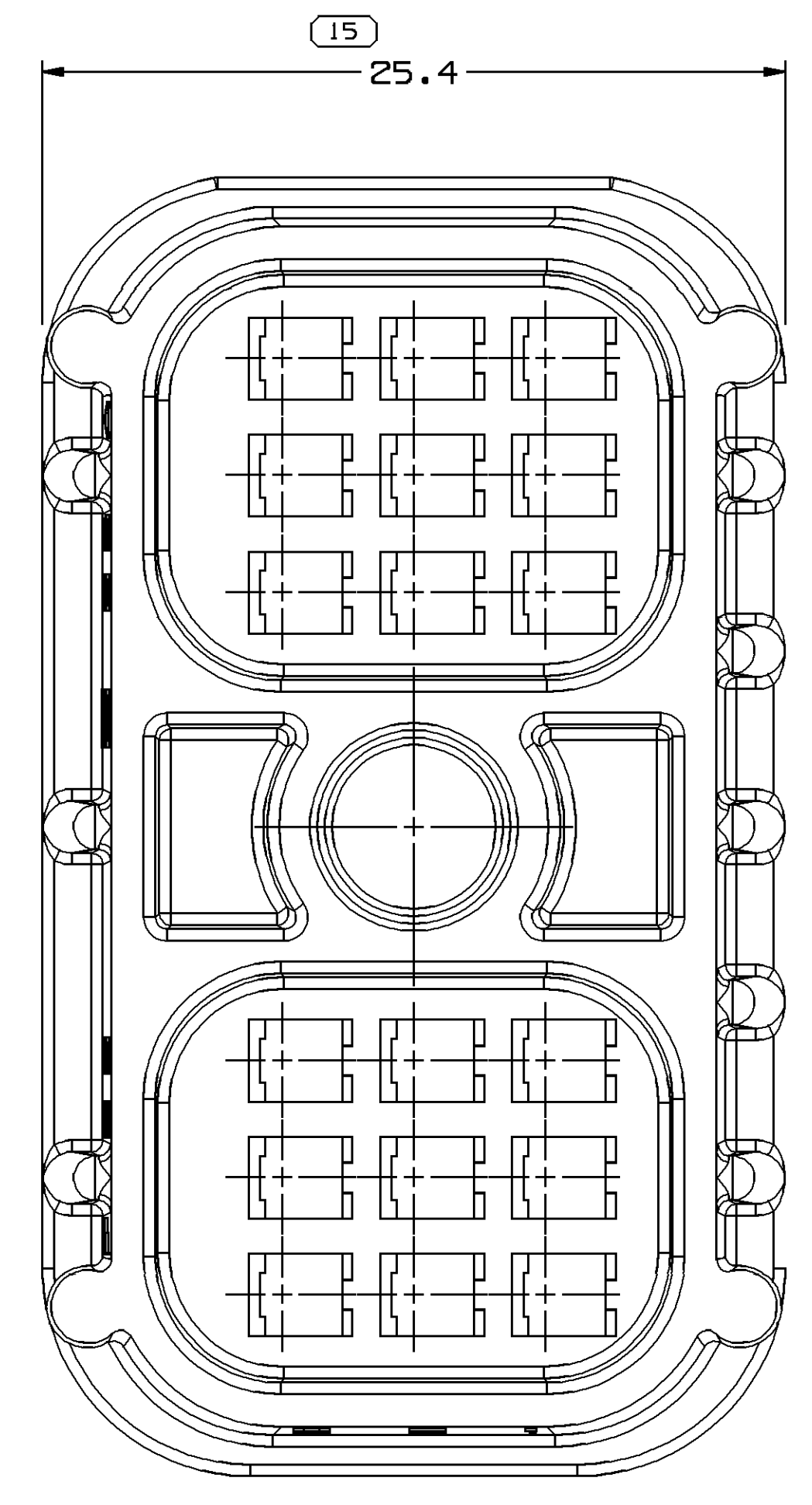
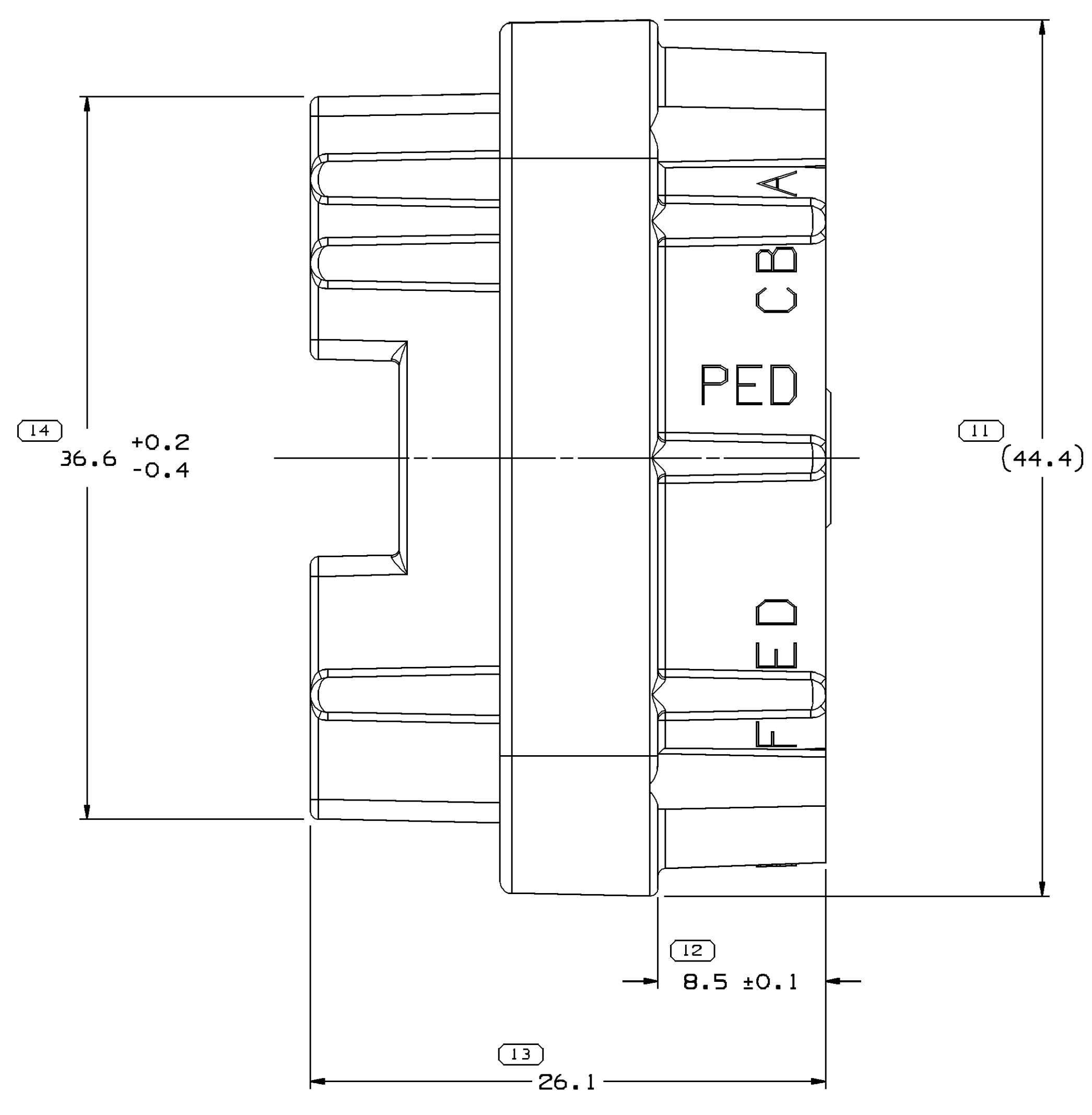
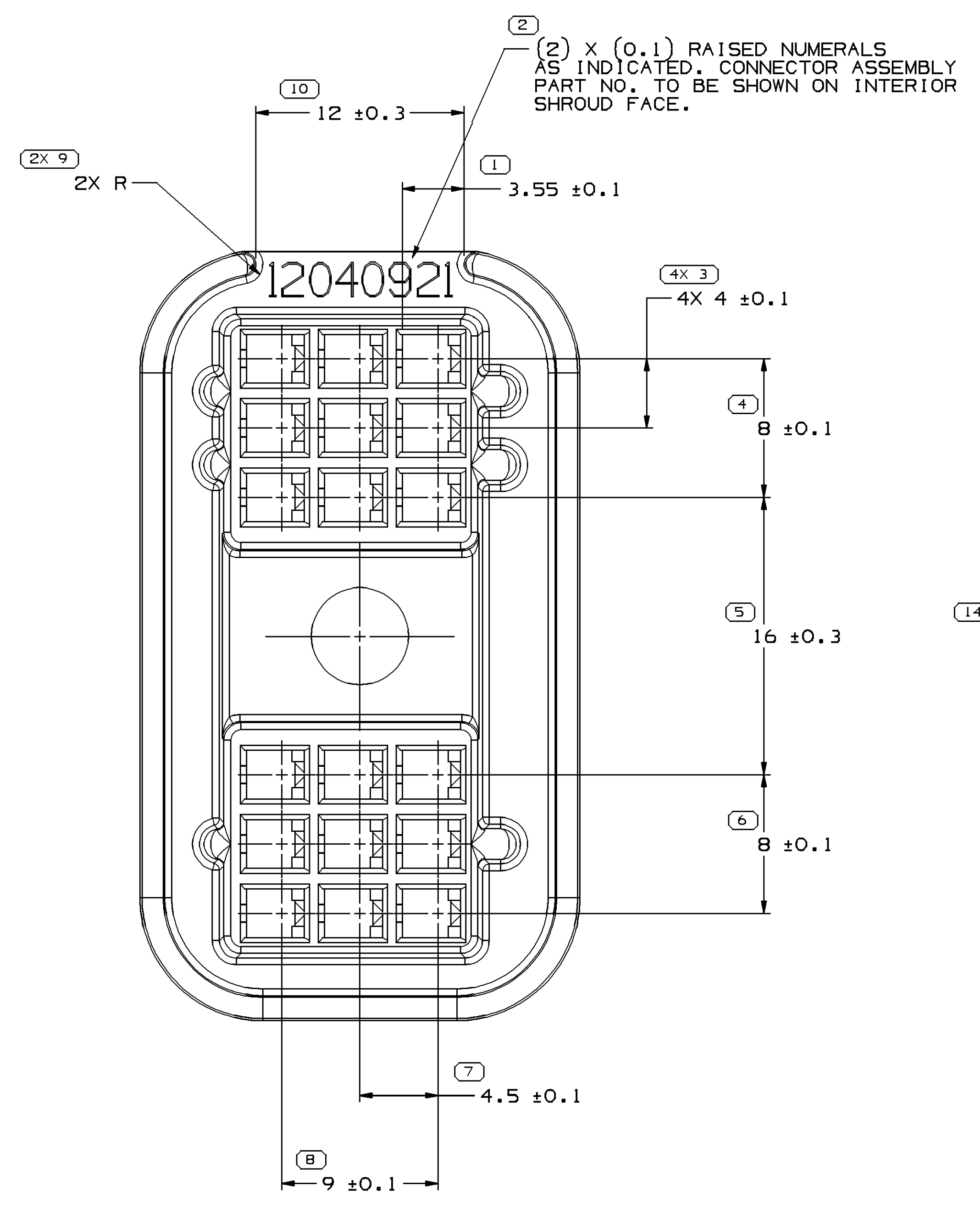


SYMBOL DEFINITION		MISSING SYMBOLS	
A DIMENSION WITHOUT AN INSPECTION REPORT SYMBOL DOES NOT REQUIRE INSPECTION. IT MAY BE CONTROLLED ON THE INDIVIDUAL COMPONENT DRAWING.	TOTAL NO OF INSPECTIONS REQUIRED	NO MISSING SYMBOL NUMBER	
	19		
	LAST NO. USED		
	15		

DATE				REVISION HISTORY				AUTH		DR		AP/VD	
12M106	R	CB	-	REDRAWN TO PD				280604	8PS	JAA	EST	1	2



NOTES

- UNLESS OTHERWISE SPECIFIED AND/OR INDICATED:
DIMENSIONS ARE TO FACE OF VIEW SHOWN AND AUTOMATICALLY ROUNDED BY COMPUTER FOR INSPECTION (SEE MATH MODEL FOR PRECISE DIMENSIONS). FOR ALL OTHER DIMENSIONS NOT SHOWN BUT REQUIRED FOR TOOL BUILD, SEE MATH MODEL FOR PRECISE TOOL PATH DATA.
- MATERIAL RECYCLING CODE PER ISO 11469. (2)X(0.1) CHARACTERS AS SHOWN TO BE LOCATED ON ANY EXTERIOR SURFACE. OPTIONAL CONSTRUCTION TO BE NO MATERIAL RECYCLING CODE.
- THIS PART IS NOT CONTROLLED FOR AUTOMATIC FEEDING.
- THIS PART USED IN ASSEMBLY 12040921.
- REFERENCE MATING COMPONENTS OR EQUIVALENT:
CONNECTOR 12040922
- THIS PART ACCEPTS THE FOLLOWING COMPONENTS OR EQUIVALENT:
TERMINAL 12047680
MAX CABLE O.D. 2.4 MM.
CABLE SEAL 12040936
BOLT 12034235
RETAINER 12034236
- (2)X(0.1) DELPHI CORPORATE BRAND TO BE LOCATED ON ANY EXTERIOR SURFACE, PREFERABLY VISIBLE AT FINAL ASSEMBLY. OPTIONAL CONSTRUCTION FOR EXISTING TOOLING MAY BE "PED".

DIMENSIONAL RANGE (MM)		SHORT ET	
FROM	> 0	> 30	> 100
TO	20	70	100
	100	150	200
	200	250	300
	300	400	
TOLERANCE UNLESS OTHERWISE SPECIFIED			
	±0.15	±0.2	±0.3
	±0.4	±0.5	±0.6
	±0.8	±1	±1.2
ANGULAR TOLERANCE 2°			

Dwg Type		PART DRAWING	
STYLE		DISTR CODE	D
VOLUME (QTY)	10,763		
UNLESS OTHERWISE SPECIFIED			
THIS DOCUMENT IS IN ACCORDANCE WITH ASME Y14.5M-1994			
AS MODIFIED BY THE IN-SPEC DRAWING AND/OR			
TOLERANCE ADDENDUMS. SEPARATE NOTATIONS OF			
FEATURES MAY BE OMBED SEPARATELY PER REFERENCE OF DATUM			
REFERENCES			
ALL DIMENSIONS ARE IN MILLIMETERS			
THIRD ANGLE PROJECTION			
DO NOT SCALE			
USE MATH DATA			

DELPHI
DELPHI PACK/ARD ELECTRIC SYSTEMS
WVREN, OH

DR	DATE
APV01 PATRICIA SANCHEZ	24MY06
APV02 J.S. ALVARADO	29MY06
APV03 ERIC TRACEY	12JN06
APV04	
APV05	

WATERLUN
M469830 PBT 6F30 BLK

DRAWING NAME
CONN 18 F M/P 150 BLK SLD

DRAWING NUMBER
12040920

SIZE	SCALE	FRAME NO	SHEET NO	STG	REV	N/P
A0	5:1	1	1	1	1	R CB -

Mouser Electronics

Authorized Distributor

Click to View Pricing, Inventory, Delivery & Lifecycle Information:

[Aptiv:](#)

[12040920](#)