



Is Now Part of



**ON Semiconductor®**

To learn more about ON Semiconductor, please visit our website at  
[www.onsemi.com](http://www.onsemi.com)

Please note: As part of the Fairchild Semiconductor integration, some of the Fairchild orderable part numbers will need to change in order to meet ON Semiconductor's system requirements. Since the ON Semiconductor product management systems do not have the ability to manage part nomenclature that utilizes an underscore (\_), the underscore (\_) in the Fairchild part numbers will be changed to a dash (-). This document may contain device numbers with an underscore (\_). Please check the ON Semiconductor website to verify the updated device numbers. The most current and up-to-date ordering information can be found at [www.onsemi.com](http://www.onsemi.com). Please email any questions regarding the system integration to [Fairchild\\_questions@onsemi.com](mailto:Fairchild_questions@onsemi.com).

ON Semiconductor and the ON Semiconductor logo are trademarks of Semiconductor Components Industries, LLC dba ON Semiconductor or its subsidiaries in the United States and/or other countries. ON Semiconductor owns the rights to a number of patents, trademarks, copyrights, trade secrets, and other intellectual property. A listing of ON Semiconductor's product/patent coverage may be accessed at [www.onsemi.com/site/pdf/Patent-Marking.pdf](http://www.onsemi.com/site/pdf/Patent-Marking.pdf). ON Semiconductor reserves the right to make changes without further notice to any products herein. ON Semiconductor makes no warranty, representation or guarantee regarding the suitability of its products for any particular purpose, nor does ON Semiconductor assume any liability arising out of the application or use of any product or circuit, and specifically disclaims any and all liability, including without limitation special, consequential or incidental damages. Buyer is responsible for its products and applications using ON Semiconductor products, including compliance with all laws, regulations and safety requirements or standards, regardless of any support or applications information provided by ON Semiconductor. "Typical" parameters which may be provided in ON Semiconductor data sheets and/or specifications can and do vary in different applications and actual performance may vary over time. All operating parameters, including "Typicals" must be validated for each customer application by customer's technical experts. ON Semiconductor does not convey any license under its patent rights nor the rights of others. ON Semiconductor products are not designed, intended, or authorized for use as a critical component in life support systems or any FDA Class 3 medical devices or medical devices with a same or similar classification in a foreign jurisdiction or any devices intended for implantation in the human body. Should Buyer purchase or use ON Semiconductor products for any such unintended or unauthorized application, Buyer shall indemnify and hold ON Semiconductor and its officers, employees, subsidiaries, affiliates, and distributors harmless against all claims, costs, damages, and expenses, and reasonable attorney fees arising out of, directly or indirectly, any claim of personal injury or death associated with such unintended or unauthorized use, even if such claim alleges that ON Semiconductor was negligent regarding the design or manufacture of the part. ON Semiconductor is an Equal Opportunity/Affirmative Action Employer. This literature is subject to all applicable copyright laws and is not for resale in any manner.



# FAN48617

## Fixed-Output Synchronous TinyBoost® Regulator

### Features

- Input Voltage Range: 2.7 V to 4.5 V
- Output Voltage: 5.0 V
- 1000 mA Max. Load Capability
- PWM Only
- Up to 97% Efficient
- Forced Pass-Through Operation via EN Pin
- Internal Synchronous Rectification
- True Load Disconnect
- Short-Circuit Protection
- External Components: 2016 (Metric) 1  $\mu$ H Inductor, 0402 Case Size Input / Output Capacitors

### Applications

- Class-D Audio Amplifier
- Boost for Low-Voltage Li-Ion Batteries
- Smart Phones, Tablets, Portable Devices
- RF Applications
- NFC Applications

### Description

The FAN48617 is a low-power PWM only boost regulator designed to provide a minimum voltage-regulated rail from a standard single-cell Li-Ion battery and advanced battery chemistries. Even below the minimum system battery voltage, the device maintains the output voltage regulation for an output load current of 1000 mA. The combination of built-in power transistors, synchronous rectification, and low supply current suit the FAN48617 for battery-powered applications.

The FAN48617 is available in a 9-bump, 0.4 mm pitch, (1.215 x 1.215 mm) Wafer-Level Chip-Scale Package (WLCSP).

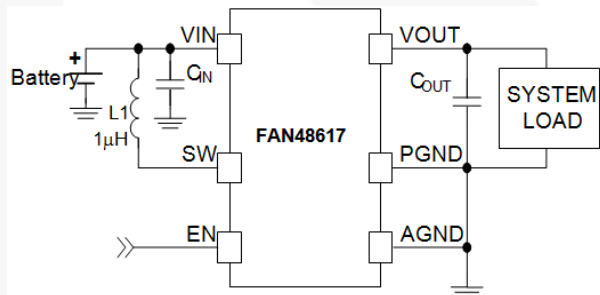


Figure 1. Typical Application

### Ordering Information

Part Number	V <sub>OUT</sub>	Operating Temperature	Package	Packing	Device Marking
FAN48617UC50X	5.0 V	-40°C to 85°C	9-Bump, 0.4 mm Pitch, WLCSP Package	Tape and Reel	K2

## Block Diagram

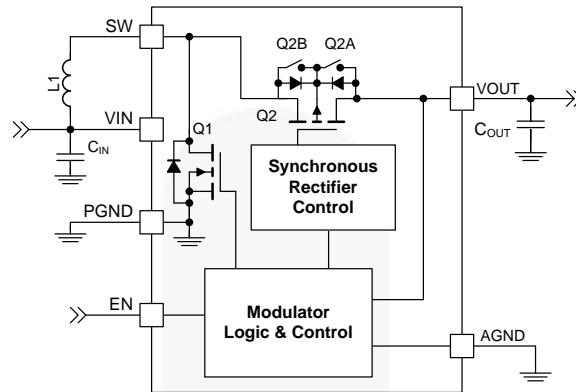


Figure 2. IC Block Diagram

Table 1. Recommended Components

Component	Description	Vendor	Parameter	Typ.	Unit
L1	20%, 3.9 A, 2016, 1.0 mm Height	DFE201610E-1R0M TOKO	Inductance	1	μH
			DCR (Series R)	48	mΩ
C <sub>IN</sub>	20%, 6.3 V, X5R, 0402 (1005)	C1005X5R0J106M050BC TDK	Capacitance	10	μF
C <sub>OUT 1</sub> <sup>(1)</sup>	20%, 6.3 V, X5R, 0402 (1005)	C1005X5R0J106M050BC TDK	Capacitance	2 x 10	
C <sub>OUT 2</sub> <sup>(2)</sup>	20%, 6.3 V, X5R, 0402 (1005)	C1005X5R0J106M050BC TDK	Capacitance	3 x 10	

### Notes:

- For applications with  $I_{OUT} < 500$  mA use C<sub>OUT 1</sub>.
- For applications with  $500$  mA  $\leq I_{OUT} < 1000$  mA use C<sub>OUT 2</sub>.

## Pin Configuration

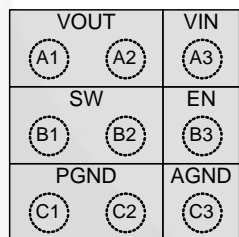


Figure 3. Top View

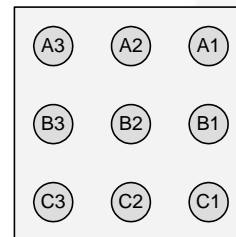


Figure 4. Bottom View

## Pin Definitions

Pin #	Name	Description
A1, A2	VOUT	<b>Output Voltage.</b> This pin is the output voltage terminal; connect directly to C <sub>OUT</sub> .
A3	VIN	<b>Input Voltage.</b> Connect to Li-Ion battery input power source and C <sub>IN</sub> .
B1, B2	SW	<b>Switching Node.</b> Connect to inductor.
B3	EN	<b>Enable.</b> When this pin is HIGH, the circuit is enabled. After part is engaged, pin forces part into Forced-Pass-Through Mode when EN pin is pulled LOW.
C1, C2	PGND	<b>Power Ground.</b> This is the power return for the IC. C <sub>OUT</sub> capacitor should be returned with the shortest path possible to these pins.
C3	AGND	<b>Analog Ground.</b> This is the signal ground reference for the IC. All voltage levels are measured with respect to this pin – connect to PGND at a single point.

## Absolute Maximum Ratings

Stresses exceeding the absolute maximum ratings may damage the device. The device may not function or be operable above the recommended operating conditions and stressing the parts to these levels is not recommended. In addition, extended exposure to stresses above the recommended operating conditions may affect device reliability. The absolute maximum ratings are stress ratings only.

Symbol	Parameter		Min.	Max.	Unit
$V_{IN}$	Voltage on VIN Pin		-0.3	6.0	V
$V_{OUT}$	Voltage on VOUT Pin			6.0	V
$V_{SW}$	SW Node	DC	-0.3	6.0	V
		Transient: 10 ns, 3 MHz	-1.0	8.0	
$V_{CC}$	Voltage on Other Pins		-0.3	6.0 <sup>(3)</sup>	V
ESD	Electrostatic Discharge Protection Level	Human Body Model, ANSI/ESDA/JEDEC JS-001-2012	2.0		kV
		Charged Device Model per JESD22-C101	1.0		
$T_J$	Junction Temperature		-40	+150	°C
$T_{STG}$	Storage Temperature		-65	+150	°C
$T_L$	Lead Soldering Temperature, 10 Seconds			+260	°C

### Note:

3. Lesser of 6.0 V or  $V_{IN} + 0.3$  V.

## Recommended Operating Conditions

The Recommended Operating Conditions table defines the conditions for actual device operation. Recommended operating conditions are specified to ensure optimal performance to the datasheet specifications. Fairchild does not recommend exceeding them or designing to absolute maximum ratings.

Symbol	Parameter	Min.	Max.	Unit
$V_{IN}$	Supply Voltage	2.7	4.5	V
$I_{OUT}$	Maximum Output Current	1000		mA
$T_A$	Ambient Temperature	-40	+85	°C
$T_J$	Junction Temperature	-40	+125	°C

## Thermal Properties

Junction-to-ambient thermal resistance is a function of application and board layout. This data is measured with four-layer 2s2p boards with vias in accordance to JEDEC standard JESD51. Special attention must be paid not to exceed junction temperature,  $T_{J(max)}$ , at a given ambient temperature,  $T_A$ .

Symbol	Parameter	Typical	Unit
$\theta_{JA}$	Junction-to-Ambient Thermal Resistance	50	°C/W

## Electrical Specifications

Recommended operating conditions, unless otherwise noted, circuit per Figure 1,  $V_{OUT} = 5.0\text{ V}$ . Typical, minimum and maximum values are given at  $V_{IN} = 3.6\text{ V}$ ,  $T_A = 25^\circ\text{C}$ ,  $-40^\circ\text{C}$ , and  $+85^\circ\text{C}$ .

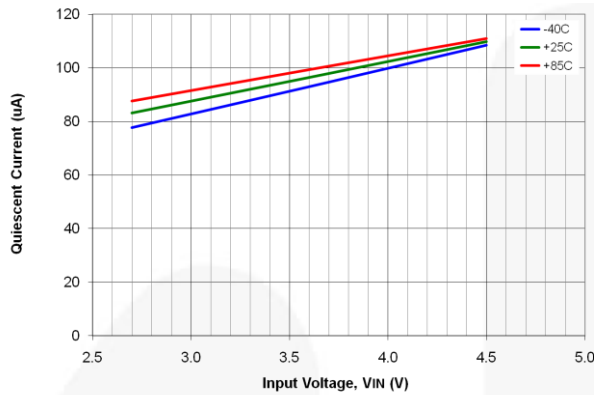
Symbol	Parameter	Conditions	Min.	Typ.	Max.	Unit
<b>Power Supply</b>						
$I_Q$	$V_{IN}$ Quiescent Current	$I_{OUT} = 0\text{ mA}$ , $EN = 1.8\text{ V}$ , No Switching		95		$\mu\text{A}$
		Forced Pass-Through $EN = 0\text{ V}$ , $V_{OUT} = V_{IN}$		3.5		
$V_{UVLO}$	Under-Voltage Lockout	$V_{IN}$ Rising		2.20		V
$V_{UVLO\_HYS}$	Under-Voltage Lockout Hysteresis			150		mV
<b>Inputs</b>						
$V_{IH}$	Enable HIGH Voltage		1.05			V
$V_{IL}$	Enable LOW Voltage				0.4	V
<b>Outputs</b>						
$V_{REG}$	Output Voltage Accuracy DC <sup>(4)</sup>	$2.7\text{ V} \leq V_{IN} \leq 4.5\text{ V}$	-2		+2	%
<b>Timing</b>						
$f_{SW}$	Switching Frequency	$I_{OUT} = 300\text{ mA}$	1.8	2.3	2.8	MHz
$t_{SS}^{(5)}$	EN HIGH to 95% of Regulation	$I_{OUT} = 150\text{ mA}$		425		$\mu\text{s}$
$t_{RST}^{(5)}$	FAULT Restart Timer			20		ms
<b>Power Stage</b>						
$R_{DS(ON)N}$	N-Channel Boost Switch $R_{DS(ON)}$			63		m $\Omega$
$R_{DS(ON)P}$	P-Channel Sync. Rectifier $R_{DS(ON)}$			52		m $\Omega$

### Notes:

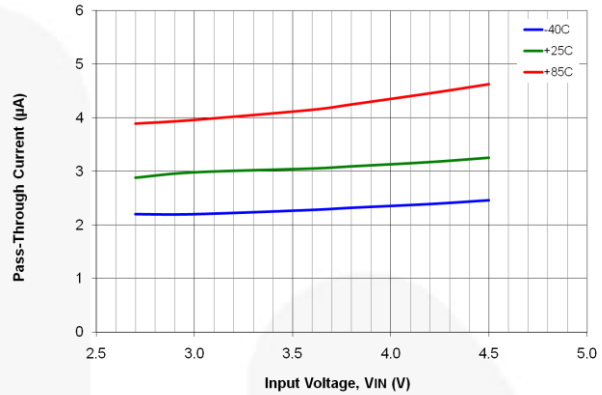
- DC  $I_{LOAD}$  from 0 to 1000 mA.  $V_{OUT}$  measured from mid-point of output voltage ripple. Effective capacitance of  $C_{OUT} \geq 6.3\text{ }\mu\text{F}$ .
- Guaranteed by design and characterization; not tested in production.

## Typical Performance Characteristics

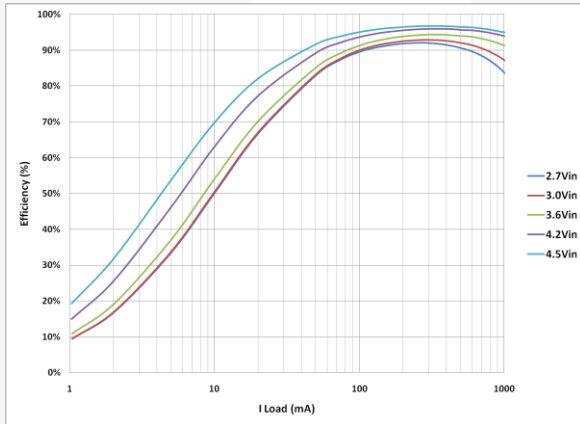
Unless otherwise specified;  $V_{IN} = 3.6\text{ V}$ ,  $V_{OUT} = 5.0\text{ V}$ ,  $T_A = 25^\circ\text{C}$ , and circuit according to Figure 1.  
 Components:  $C_{IN} = 10\ \mu\text{F}$ ,  $C_{OUT} = 3 \times 10\ \mu\text{F}$  (0402, X5R, 6.3 V, C1005X5R0J106M050BC),  $L1 = 1\ \mu\text{H}$  (2016, 48 m $\Omega$ , DFE201610E-1R0M).



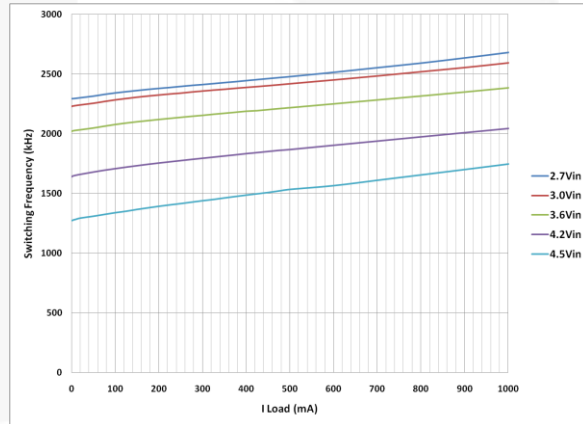
**Figure 5. Quiescent Current (No Switching) vs. Input Voltage and Temperature**



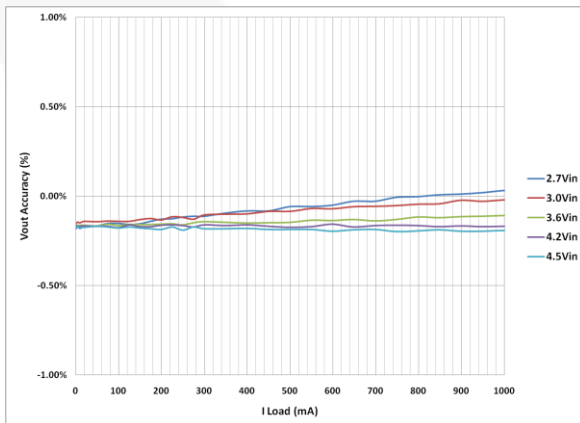
**Figure 6. Pass-Through Current vs. Input Voltage and Temperature**



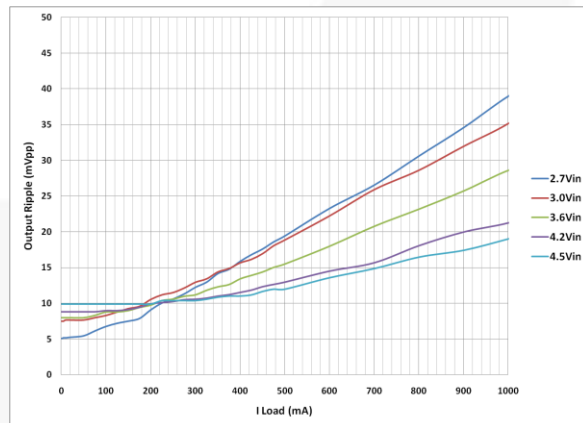
**Figure 7. Efficiency vs. Load Current and Input Voltage**



**Figure 8. Switching Frequency vs. Load Current and Input Voltage**



**Figure 9. Output Regulation vs. Load Current and Input Voltage**



**Figure 10. Output Ripple vs. Load Current and Input Voltage**

## Typical Performance Characteristics

Unless otherwise specified;  $V_{IN} = 3.6\text{ V}$ ,  $V_{OUT} = 5.0\text{ V}$ ,  $T_A = 25^\circ\text{C}$ , and circuit and components according to Figure 1. Components:  $C_{IN} = 10\ \mu\text{F}$ ,  $C_{OUT} = 3 \times 10\ \mu\text{F}$  (0402, X5R, 6.3 V, C1005X5R0J106M050BC),  $L1 = 1\ \mu\text{H}$  (2016, 48 m $\Omega$ , DFE201610E-1R0M).

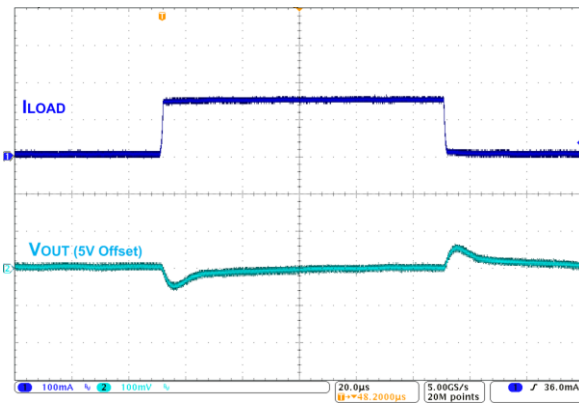


Figure 11. Load Transient, 10  $\leftrightarrow$  150 mA, 1  $\mu\text{s}$  Edge

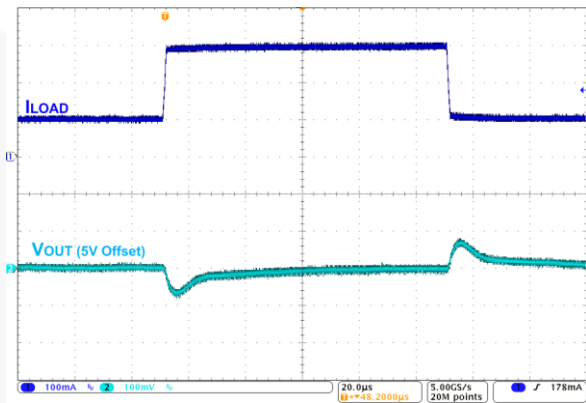


Figure 12. Load Transient, 100  $\leftrightarrow$  300 mA, 1  $\mu\text{s}$  Edge

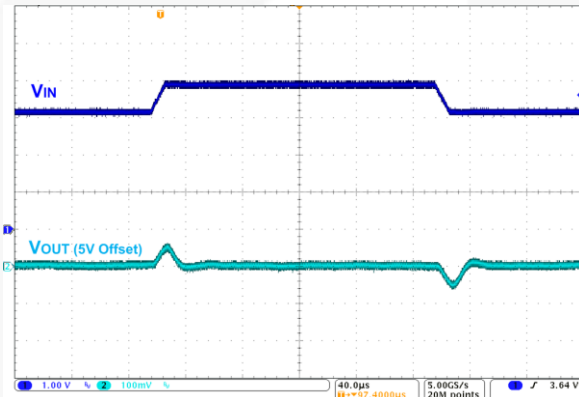


Figure 13. Line Transient, 3.2 V  $\leftrightarrow$  3.9 V, 10  $\mu\text{s}$  Edge, 150 mA Load

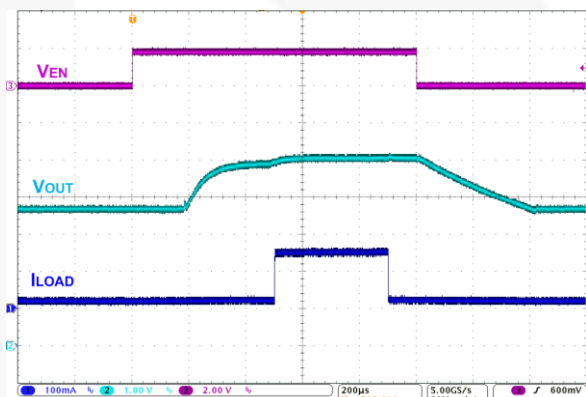


Figure 14. Pass-Through Mode  $\leftrightarrow$  Boost Mode with Load Transient, 20  $\leftrightarrow$  150 mA, 1  $\mu\text{s}$  Edge

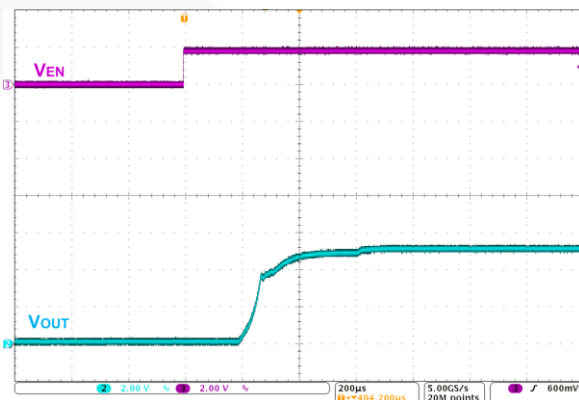


Figure 15. Startup, 150 mA Load

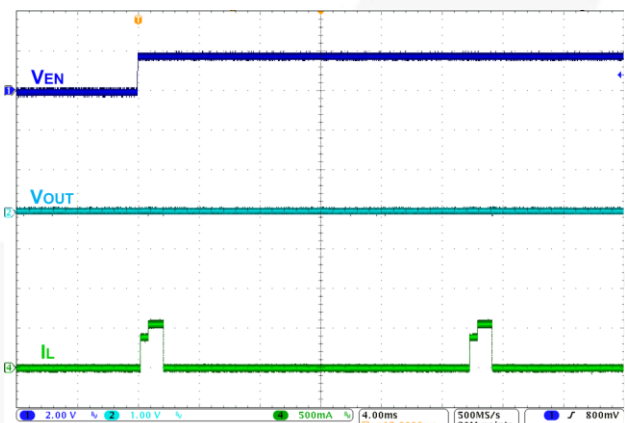


Figure 16. Fault Restart

## Circuit Description

FAN48617 is a synchronous PWM Only boost regulator. The regulator's Pass-Through Mode automatically activates when  $V_{IN}$  is above the boost regulator's set point.

**Table 2. Operating Modes**

Mode	Description	Invoked When:
LIN	Linear Startup	$V_{IN} > V_{OUT}$
SS	Boost Soft-Start	$V_{IN} < V_{OUT} < V_{OUT(TARGET)}$
BST	Boost Operating Mode	$V_{OUT} = V_{OUT(TARGET)}$
PT	Pass-Through Mode	$V_{IN} > V_{OUT(TARGET)}$ OR when EN is pulled LOW after initial startup

## Boost Mode Regulation

The FAN48617 uses a current-mode modulator to achieve excellent transient response.

**Table 3. Boost Startup Sequence**

Start Mode	Entry	Exit	End Mode	Timeout (μs)
LIN1	$V_{IN} > V_{UVLO}$ , EN=1	$V_{OUT} > V_{IN} - 300\text{ mV}$	SS	512
		Timeout	LIN2	
LIN2	LIN1 Exit	$V_{OUT} > V_{IN} - 300\text{ mV}$	SS	1024
		Timeout	FAULT	
SS	LIN1 or LIN2 Exit	$V_{OUT} = V_{OUT(TARGET)}$	BST	64
		Overload Timeout	FAULT	

## LIN Mode

When EN is HIGH and  $V_{IN} > V_{UVLO}$ , the regulator first attempts to bring  $V_{OUT}$  within 300 mV of  $V_{IN}$  by using the internal fixed-current source from  $V_{IN}$  (Q2). The current is limited to the LIN1 set point.

If  $V_{OUT}$  reaches  $V_{IN} - 300\text{ mV}$  during LIN1 Mode, the SS Mode is initiated. Otherwise, LIN1 times out after 512 μs and LIN2 Mode is entered.

In LIN2 Mode, the current source is incremented. If  $V_{OUT}$  fails to reach  $V_{IN} - 300\text{ mV}$  after 1024 μs, a fault condition is declared and the device waits 20 ms to attempt an automatic restart.

## Soft-Start (SS) Mode

Upon the successful completion of LIN Mode ( $V_{OUT} \geq V_{IN} - 300\text{ mV}$ ), the regulator begins switching with boost pulses current limited to 50% of nominal level.

During SS Mode, if  $V_{OUT}$  fails to reach regulation during the SS ramp sequence for more than 64 μs, a fault is declared. If large  $C_{OUT}$  is used, the reference is

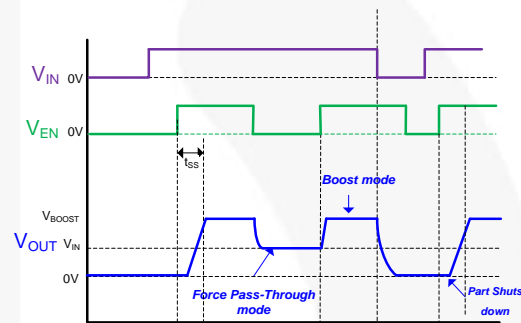
automatically stepped slower to avoid excessive input current draw.

## Boost (BST) Mode

This is a normal operating mode of the regulator.

## Pass-Through (PT) Mode

The device allows the user to force the device in Forced Pass-Through Mode through the EN pin. If the EN pin is pulled HIGH, the device starts operating in Boost Mode. Once the EN pin is pulled LOW, the device is forced into Pass-Through Mode. To disable the device, the input supply voltage must be removed. The device cannot startup in Forced Pass-Through Mode (see Figure 17). During startup, keep the EN pulled HIGH for at least 350 μs before pulling it LOW in order to make sure that the device enters Pass-Through Mode reliably



**Figure 17. Pass-Through Profile**

## Current Limit Protection

The FAN48617 has valley current limit protection in case of overload situations. The valley current limit will prevent high current from causing damage to the IC and the inductor. The current limit is halved during soft-start.

When starting into a fault condition, the input current will be limited by LIN1 and LIN2 current threshold.

## Fault State

The regulator enters Fault State under any of the following conditions:

- $V_{OUT}$  fails to achieve the voltage required to advance from LIN Mode to SS Mode.
- $V_{OUT}$  fails to achieve the voltage required to advance from SS Mode to BST Mode.
- Boost current limit triggers for 2 ms during BST Mode.
- $V_{IN} - V_{OUT} > 300\text{ mV}$ ; this fault can occur only after successful completion of the soft-start sequence.
- $V_{IN} < V_{UVLO}$ .

Once a fault is triggered, the regulator stops switching and presents a high-impedance path between  $V_{IN}$  and  $V_{OUT}$ . After waiting 20 ms, an automatic restart is attempted.

## Over-Temperature

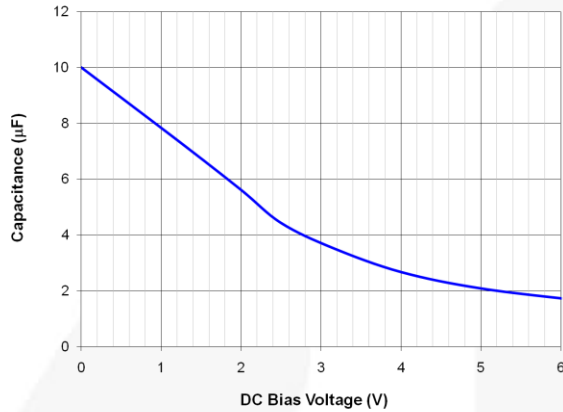
The regulator shuts down if the die temperature exceeds 150°C and restarts when the IC cools by ~20°C.



## Application Information

### Output Capacitance ( $C_{OUT}$ )

The effective capacitance ( $C_{EFF}^{(6)}$ ) of small, high-value ceramic capacitors decreases as their bias voltage increases, as illustrated in the graph below:



**Figure 18.  $C_{EFF}$  for 10  $\mu F$ , 0402, X5R, 6.3 V-Rated Capacitor (TDK C1005X5R0J106M050BC)**

FAN48617 is guaranteed for stable operation with the minimum value of  $C_{EFF}$  ( $C_{EFF(MIN)}$ ) outlined in Table 4.

**Table 4. Minimum  $C_{EFF}$  Required for Stability**

Operating Conditions			$C_{EFF(MIN)}$ ( $\mu F$ )
$V_{OUT}$ (V)	$V_{IN}$ (V)	$I_{LOAD}$ (mA)	
5.0	2.7 to 4.5	0 to 500	4.2
5.0	2.7 to 4.5	0 to 1000	6.3

**Note:**

- $C_{EFF}$  varies by manufacturer, capacitor material, and case size.

The table below pertains to MOD drawing on the following page.

### Product-Specific Package Dimensions

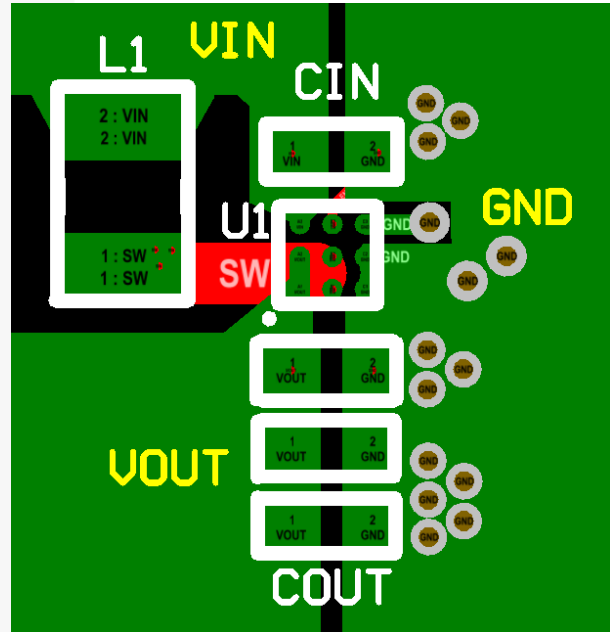
Product	D	E	X	Y
FAN48617UC50X	1.215 $\pm$ 0.030 mm	1.215 $\pm$ 0.030 mm	0.2075 mm	0.2075 mm

## Layout Recommendations

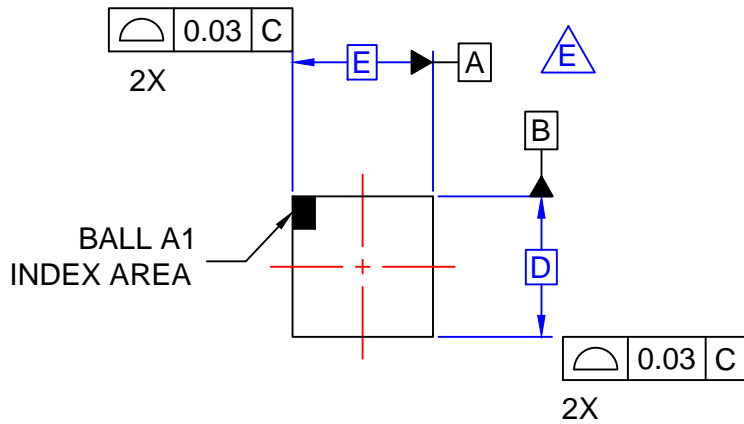
The layout recommendations below highlight various top-copper pours by using different colors.

To minimize spikes at  $V_{OUT}$ ,  $C_{OUT}$  must be placed as close as possible to PGND and  $V_{OUT}$ , as shown in Figure 19.

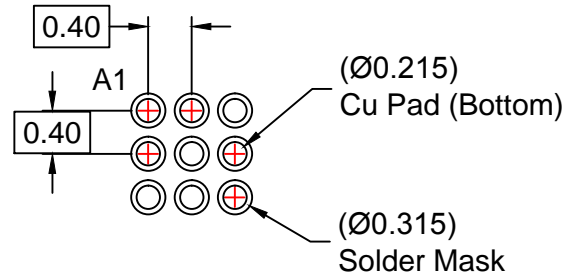
For best thermal performance, maximize the pour area for all planes other than SW. The ground pour, especially, should fill all available PCB surface area and be tied to internal layers with a cluster of thermal vias.



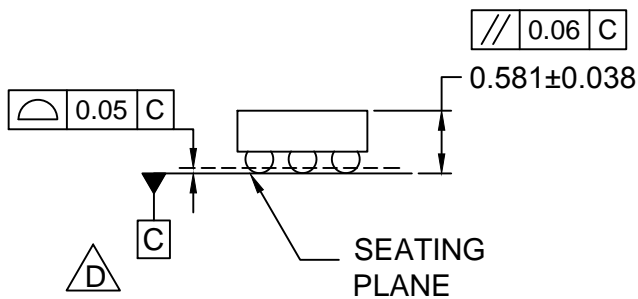
**Figure 19. Layout Recommendation**



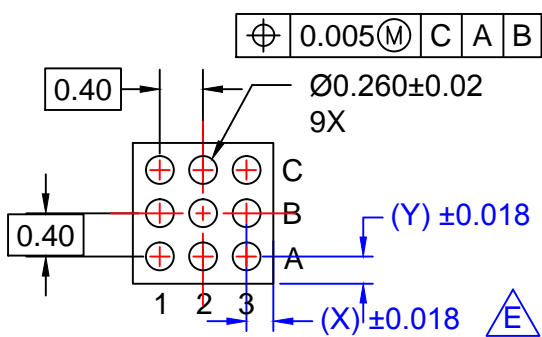
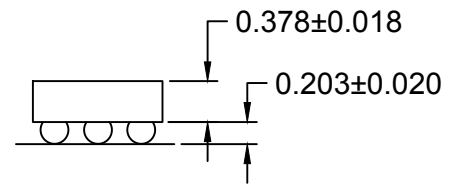
TOP VIEW



RECOMMENDED LAND PATTERN  
(NSMD PAD TYPE)



SIDE VIEWS



BOTTOM VIEW

NOTES

- A. NO JEDEC REGISTRATION APPLIES.
- B. DIMENSIONS ARE IN MILLIMETERS.
- C. DIMENSIONS AND TOLERANCE PER ASME Y14.5M, 2009.
- D. DATUM C IS DEFINED BY THE SPHERICAL CROWNS OF THE BALLS.
- E. FOR DIMENSIONS D, E, X, AND Y SEE PRODUCT DATASHEET.
- F. DRAWING FILNAME: MKT-UC009Ak rev3

ON Semiconductor



ON Semiconductor and  are trademarks of Semiconductor Components Industries, LLC dba ON Semiconductor or its subsidiaries in the United States and/or other countries. ON Semiconductor owns the rights to a number of patents, trademarks, copyrights, trade secrets, and other intellectual property. A listing of ON Semiconductor's product/patent coverage may be accessed at [www.onsemi.com/site/pdf/Patent-Marking.pdf](http://www.onsemi.com/site/pdf/Patent-Marking.pdf). ON Semiconductor reserves the right to make changes without further notice to any products herein. ON Semiconductor makes no warranty, representation or guarantee regarding the suitability of its products for any particular purpose, nor does ON Semiconductor assume any liability arising out of the application or use of any product or circuit, and specifically disclaims any and all liability, including without limitation special, consequential or incidental damages. Buyer is responsible for its products and applications using ON Semiconductor products, including compliance with all laws, regulations and safety requirements or standards, regardless of any support or applications information provided by ON Semiconductor. "Typical" parameters which may be provided in ON Semiconductor data sheets and/or specifications can and do vary in different applications and actual performance may vary over time. All operating parameters, including "Typicals" must be validated for each customer application by customer's technical experts. ON Semiconductor does not convey any license under its patent rights nor the rights of others. ON Semiconductor products are not designed, intended, or authorized for use as a critical component in life support systems or any FDA Class 3 medical devices or medical devices with a same or similar classification in a foreign jurisdiction or any devices intended for implantation in the human body. Should Buyer purchase or use ON Semiconductor products for any such unintended or unauthorized application, Buyer shall indemnify and hold ON Semiconductor and its officers, employees, subsidiaries, affiliates, and distributors harmless against all claims, costs, damages, and expenses, and reasonable attorney fees arising out of, directly or indirectly, any claim of personal injury or death associated with such unintended or unauthorized use, even if such claim alleges that ON Semiconductor was negligent regarding the design or manufacture of the part. ON Semiconductor is an Equal Opportunity/Affirmative Action Employer. This literature is subject to all applicable copyright laws and is not for resale in any manner.

## PUBLICATION ORDERING INFORMATION

### LITERATURE FULFILLMENT:

Literature Distribution Center for ON Semiconductor  
19521 E. 32nd Pkwy, Aurora, Colorado 80011 USA  
**Phone:** 303-675-2175 or 800-344-3860 Toll Free USA/Canada  
**Fax:** 303-675-2176 or 800-344-3867 Toll Free USA/Canada  
**Email:** [orderlit@onsemi.com](mailto:orderlit@onsemi.com)

**N. American Technical Support:** 800-282-9855 Toll Free  
USA/Canada  
**Europe, Middle East and Africa Technical Support:**  
Phone: 421 33 790 2910  
**Japan Customer Focus Center**  
Phone: 81-3-5817-1050

**ON Semiconductor Website:** [www.onsemi.com](http://www.onsemi.com)  
**Order Literature:** <http://www.onsemi.com/orderlit>  
For additional information, please contact your local  
Sales Representative

# Mouser Electronics

Authorized Distributor

Click to View Pricing, Inventory, Delivery & Lifecycle Information:

[ON Semiconductor:](#)

[FAN48617UC50X](#)