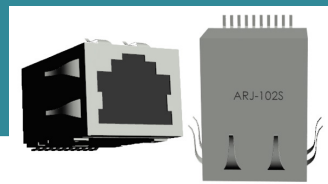


# 1-PORT 100BASE-T SMD RJ45 WITH INTEGRATED MAGNETICS



23.05 x 16.80 x 13.65mm  
RoHS/RoHS II Compliant

**ARJ-102S**

## FEATURES

- 10/100/1000Base-T compatibility
- Surface mount device
- Wide -40C to 85C operating temperature range
- Integrated magnetics
- Integrated shielding and metal fingers for excellent EMI performance

## APPLICATIONS

- Industrial IoT/IoT
- Video IP cameras
- Machine-to-machine (M2M)
- Industrial process control
- Industrial robotics

## STANDARD SPECIFICATIONS

PARAMETERS	MINIMUM	TYPICAL	MAXIMUM	UNITS	NOTES
Turn Ratio ( $\pm 3\%$ )	1CT:1CT				
Inductance	350			$\mu\text{H}$	100kHz, 0.1Vrms, 8mADC
Insertion Loss			-1.0	dB	1-100MHz
Return Loss	-18			dB	1-30MHz
	-15				30-60MHz
	-12				60-80MHz
	-10				80-100MHz
Crosstalk	-37			dB	1-30MHz
	-32				30-60MHz
	-27				60-100MHz
CMR	-35			dB	1-30MHz
	-30				30-100MHz
Hipot	1500 Vrms min				Pri to Sec

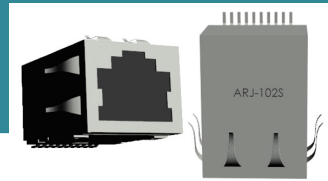
REVISED: 08/08/2016



5101 Hidden Creek Lane Spicewood TX 78669  
Phone: 512-371-6159 | Fax: 512-351-8858  
For terms and conditions of sale please visit:  
[www.abracon.com](http://www.abracon.com)

ABRACON IS  
ISO9001-2008  
CERTIFIED

# 1-PORT 100BASE-T SMD RJ45 WITH INTEGRATED MAGNETICS



23.05 x 16.80 x 13.65mm  
RoHS/RoHS II Compliant

**ARJ-102S**

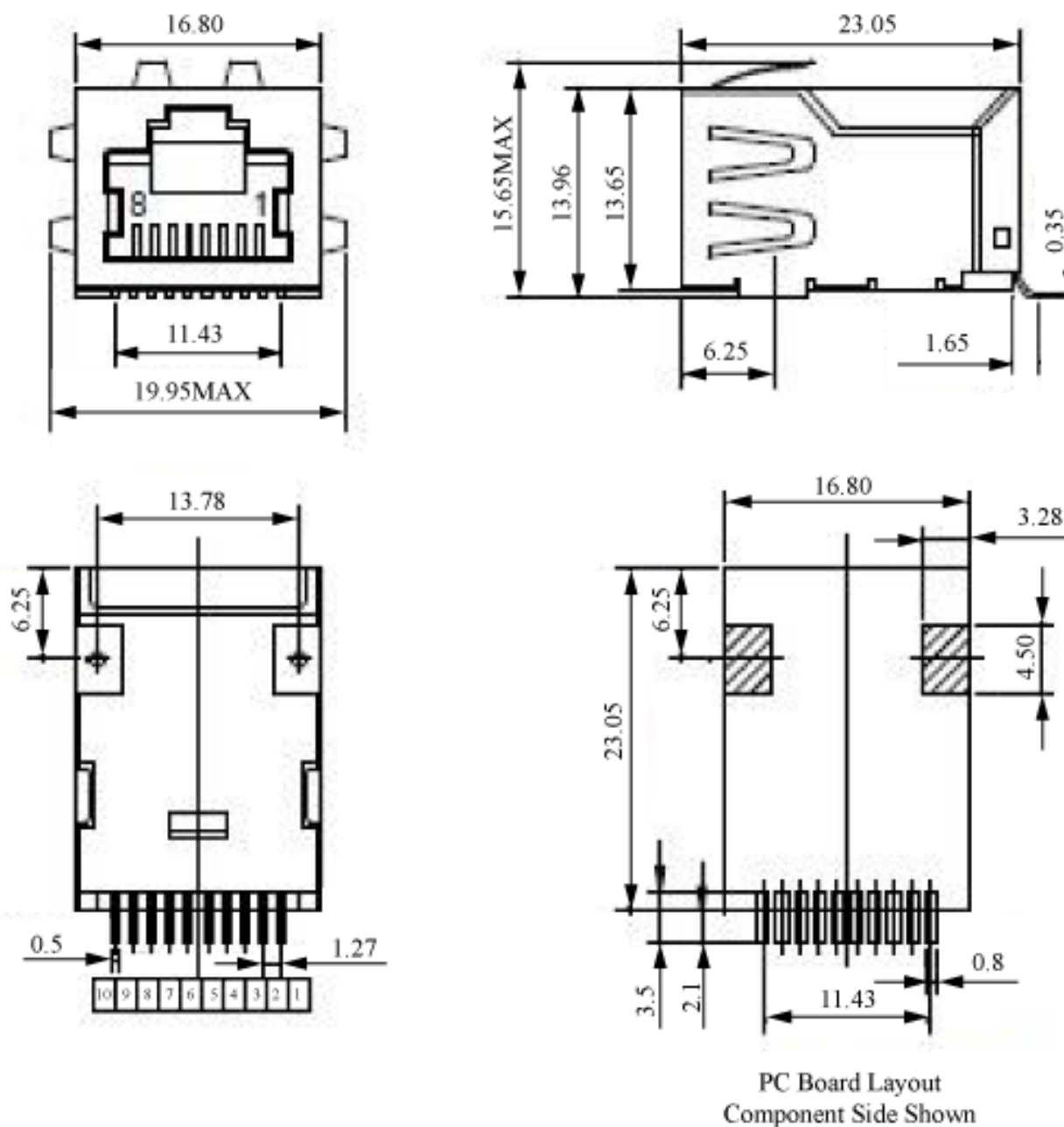
## PART IDENTIFICATION AND ORDERING INFORMATION

ARJ-102S-



PACKAGING
Blank: Bulk
T:100pcs/reel

**MECHANICAL DIMENSIONS: mm (unless otherwise specific, tolerances are  $\pm 0.25$ )**



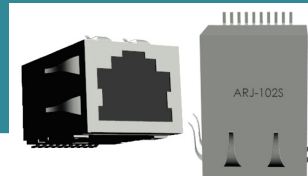
REVISED: 08/08/2016



5101 Hidden Creek Lane Spicewood TX 78669  
Phone: 512-371-6159 | Fax: 512-351-8858  
For terms and conditions of sale please visit:  
[www.abracon.com](http://www.abracon.com)

ABRACON IS  
ISO9001-2008  
CERTIFIED

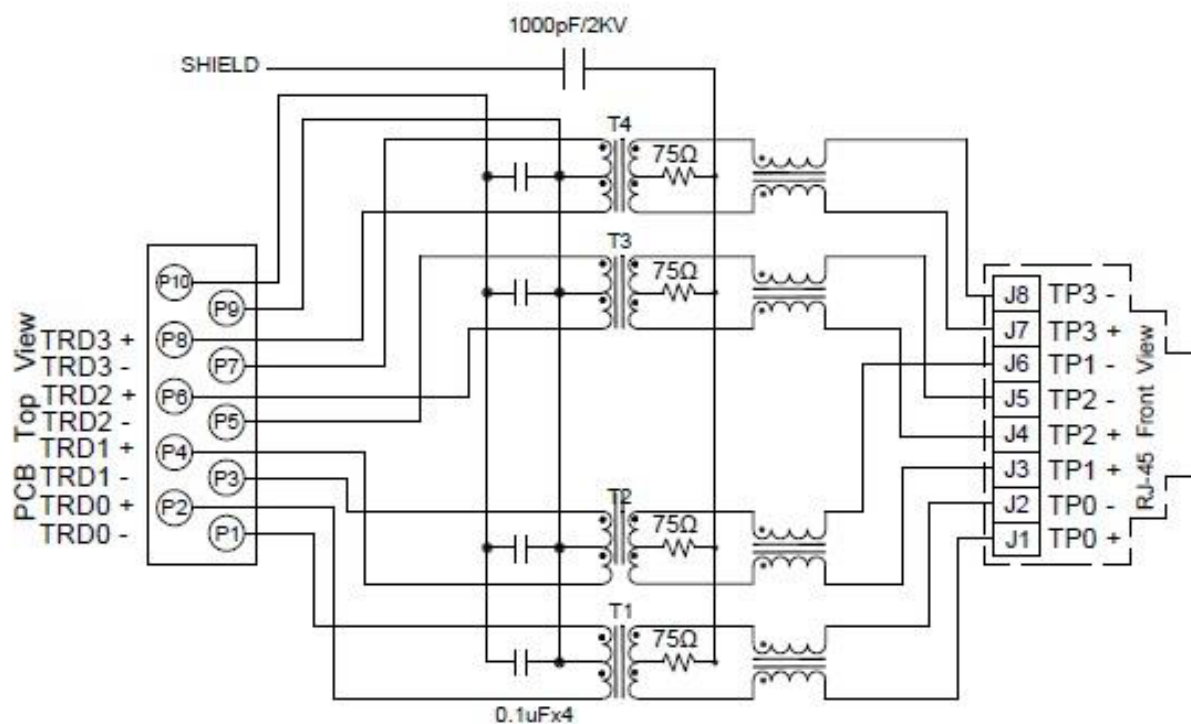
# 1-PORT 100BASE-T SMD RJ45 WITH INTEGRATED MAGNETICS



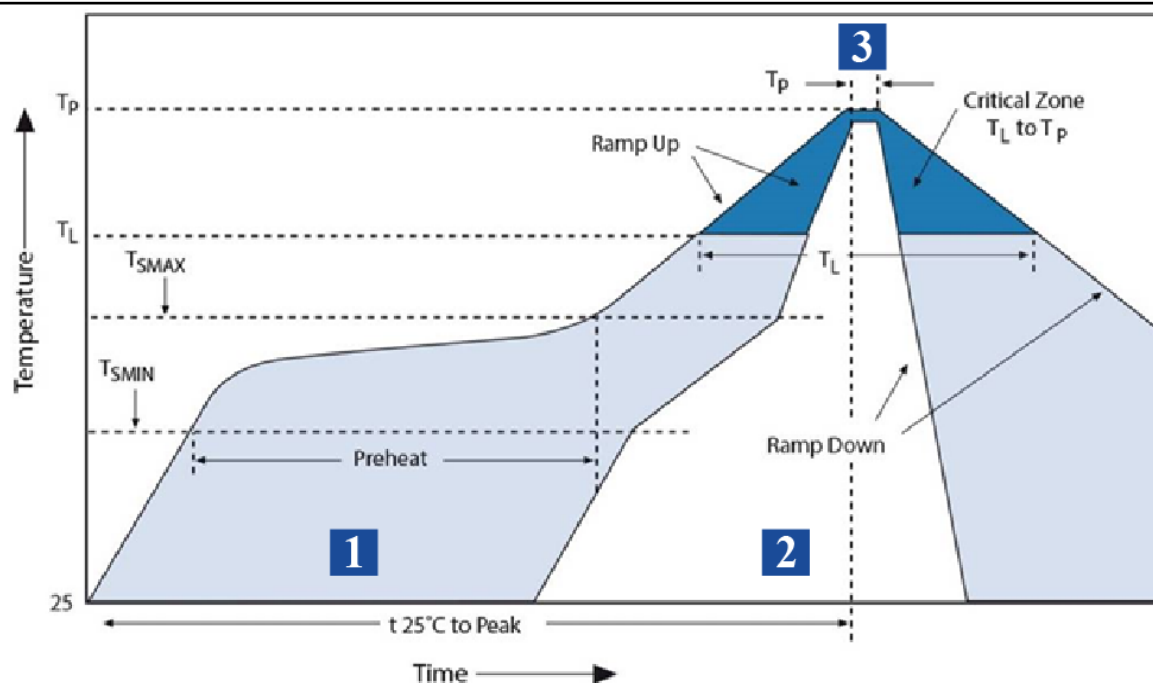
**ARJ-102S**

23.05 x 16.80 x 13.65mm  
RoHS/RoHS II Compliant

## SCHEMATIC



## REFLOW



Zone	Description	Temperature	Time
1	Preheat	$T_{SMIN} - T_{SMAX}$ 160°C~180°C	120 sec.
2	Reflow	$T_L$ 60°C	60 sec.
3	Peak Heat	$T_p$ 260°C	10 sec. MAX

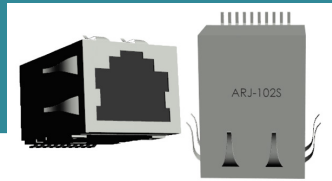
REVISED: 08/08/2016



5101 Hidden Creek Lane Spicewood TX 78669  
Phone: 512-371-6159 | Fax: 512-351-8858  
For terms and conditions of sale please visit:  
[www.abracon.com](http://www.abracon.com)

ABRACON IS  
ISO9001-2008  
CERTIFIED

# 1-PORT 100BASE-T SMD RJ45 WITH INTEGRATED MAGNETICS

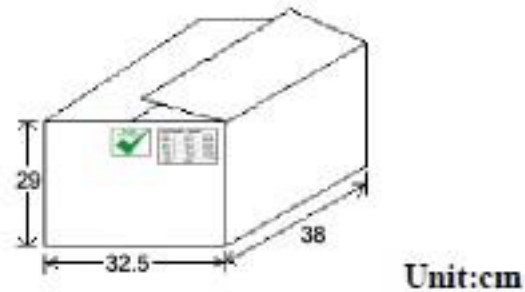
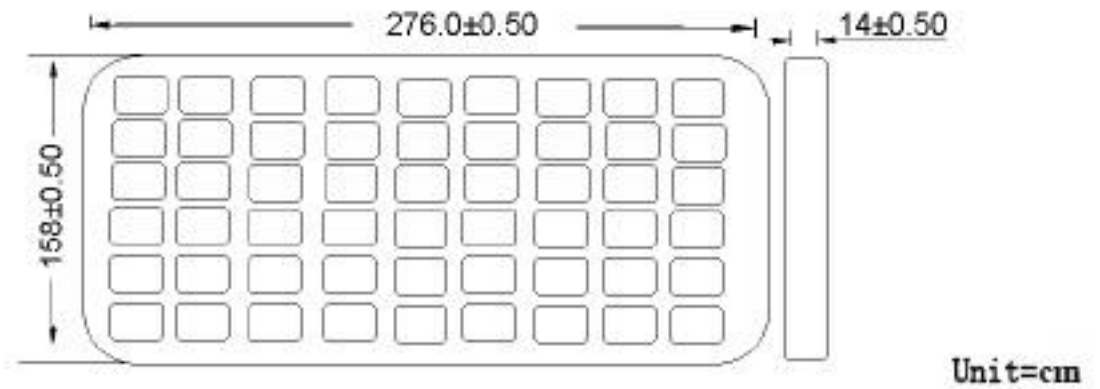


23.05 x 16.80 x 13.65mm  
RoHS/RoHS II Compliant

**ARJ-102S**

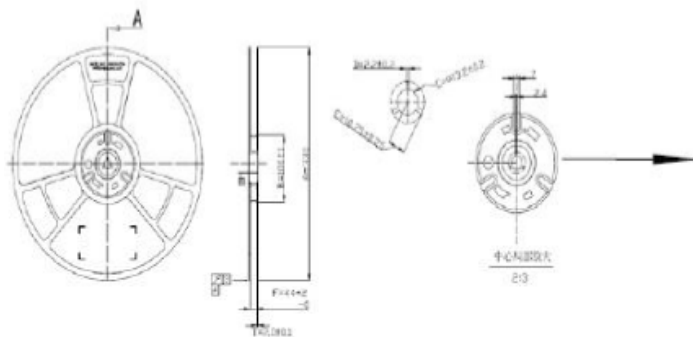
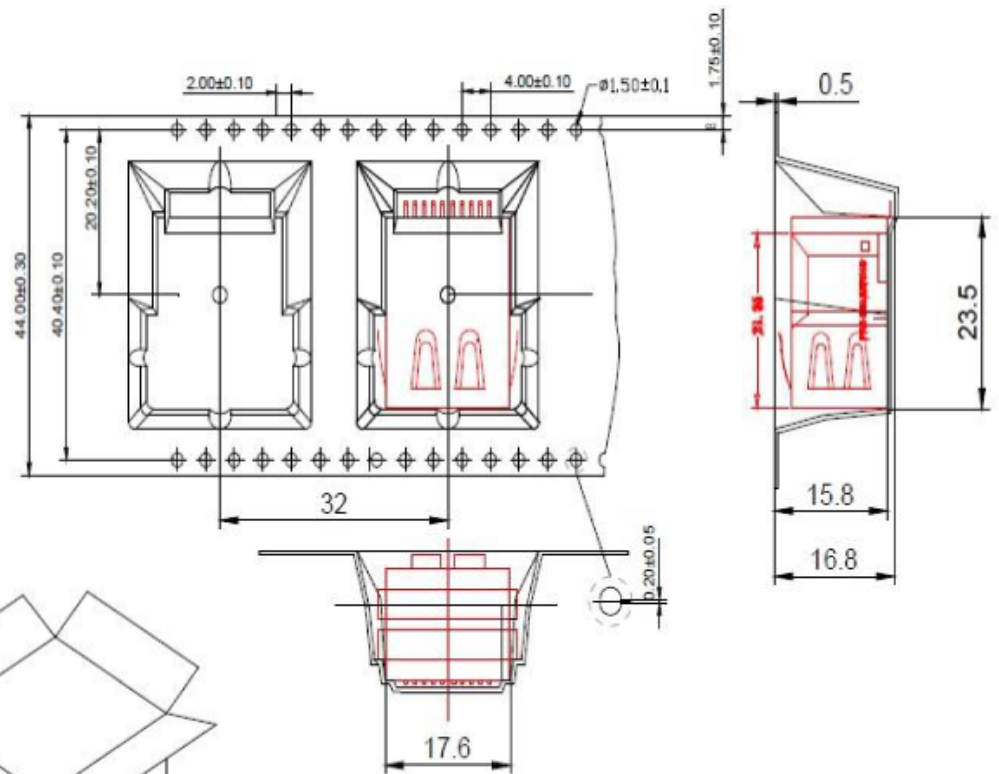
## PACKAGING

**T: 54pcs/tray**  
**Packaging material: PVC**  
**Outer carton unit: 1512 pcs/28trays/box**



## TAPE AND REEL

**Weight: 6.9grams/pcs**  
**T&R: 100pcs**  
**Outer carton unit: 600pcs/box or 6T&R/box**  
**Weight: 8.8kg per carton**



Outer carton: 365x365x350mm

REVISED: 08/08/2016



5101 Hidden Creek Lane Spicewood TX 78669  
Phone: 512-371-6159 | Fax: 512-351-8858  
For terms and conditions of sale please visit:  
[www.abracon.com](http://www.abracon.com)

ABRACON IS  
ISO9001-2008  
CERTIFIED