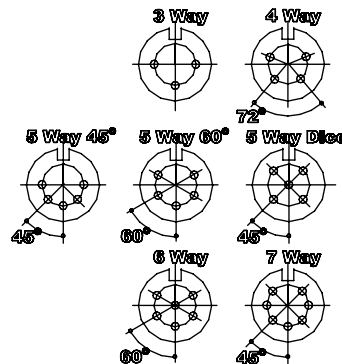
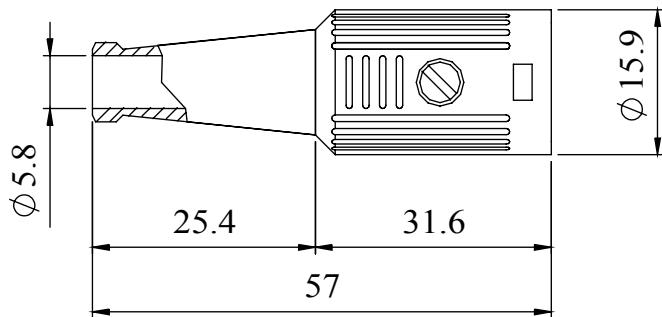


A fully screened robust range of DIN connectors for use in instrumentation and audio applications. Available in two finishes; bright nickel and non-reflective electrically conductive matt black. Robust construction incorporating cable grip and strain relief. This line socket mates with all standard and lockable plugs.

Manufactured to DIN 41 524, 45322, 45326, 45327 and 45329.

<b>Materials</b>	
Housing	Zinc Alloy Heavy Nickel Plated
Moulding	Nylon
Contacts	Brass Silver Plated
Cable Clamp	Mild steel Zinc Plated
Grommet	Black P.V.C
<b>Electrical</b>	
Rated Voltage	34 V a.c. or d.c.
Current Rating	2.A
Test Voltage	500 V r.m.s.
Insulation Resistance	103 MΩ min at 100 V d.c
Contact Resistance	10 mΩ max
Capacitance (mated)	3pF
<b>Climatic</b>	
Climatic category	25/070/21
Temperature Range	-25°C to +70°C
Damp heat, steady state	21 days

### Dimensions



Type	Deltron No
3 Way	600-0300
4 Way	600-0400
5 Way 45°	600-0500
5 Way 60°	600-0510
5 Way Dice	600-0520
6 Way	600-0600
7 Way	600-0700

**RoHS**  
2002/95/EC  
Compliant

Tel No. +44(0)1724 273200 Website www.dem-uk.com

PROPRIETARY AND CONFIDENTIAL  
THE INFORMATION CONTAINED IN THIS DRAWING IS THE SOLE PROPERTY OF ALPHA 3 MANUFACTURING.  
ANY REPRODUCTION IN PART OR AS A WHOLE WITHOUT THE WRITTEN PERMISSION OF ALPHA 3 MANUFACTURING IS PROHIBITED.

UNLESS OTHERWISE SPECIFIED:  
DIMENSIONS ARE IN MILLIMETRES  
LINEAR TOLERANCE:  
NO DECIMAL PLACES ±0.5mm  
1 DECIMAL PLACE ±0.25mm  
2 DECIMAL PLACES ±0.125mm  
ANGULAR TOLERANCE: ±1°

FINISH SCREENED DIN CONNECTOR LINE SOCKET NICKEL  
DEBURR AND BREAK SHARP EDGES  
DRAWN BY SPB  
APPROVED BY WC  
THIRD ANGLE PROJECTION  
IF IN DOUBT ASK DO NOT SCALE DRAWING

MATERIAL SEE NOTE

SCALE 1:1

SHEET 1 OF 1

A4

TITLE GENERAL SPECIFICATION  
600 SERIES CONNECTOR

DRAWING NO. 600 SERIES

ISSUE 06  
Release

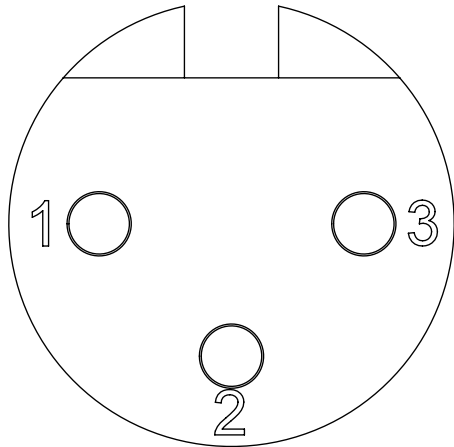


DEM Manufacturing, Deltron Emcon House  
Hargreaves Way, Sawcliffe Ind. Park,  
Scunthorpe, North Lincolnshire, DN15 8RF, UK

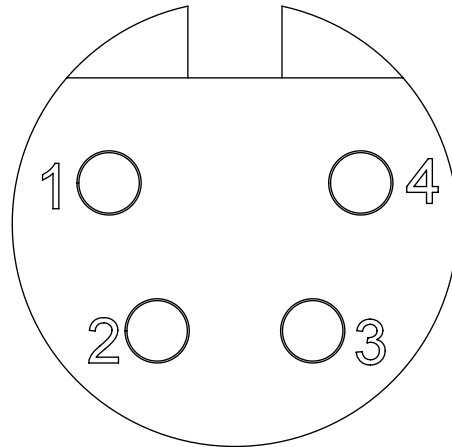
REV	1	DATE	27 Jun 2017	ECN NUMBER	C03654	ECR COMMENT	ADD PIN BASE NUMBERS TO WEB SPECS
001		27 Jun 2017					

**PARTS USED IN: 600 / 601 / 610 / 611 / 590 / 591 / 592 / SERIES DIN CONNECTORS**

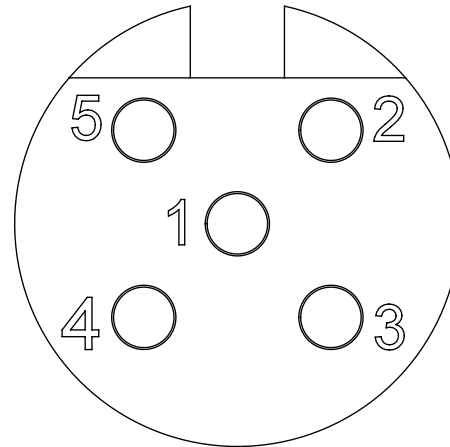
**610-003**



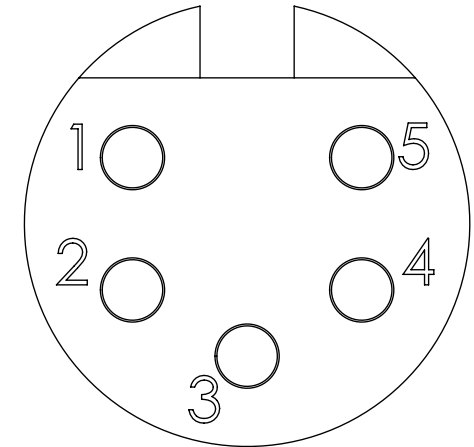
**610-004**



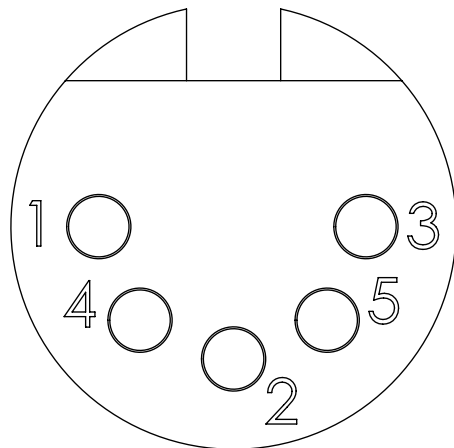
**610-005**



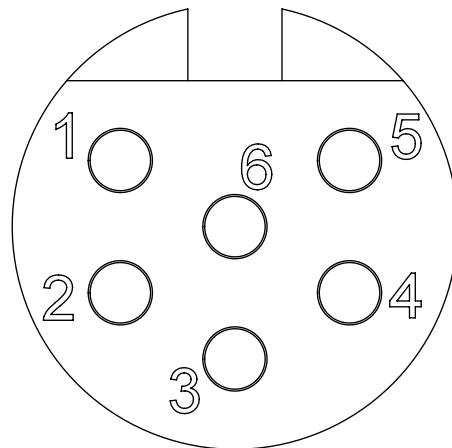
**610-060**



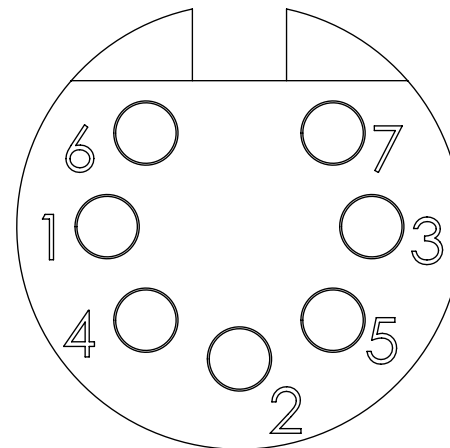
**610-045**



**610-006**



**610-007**



**610-008**

