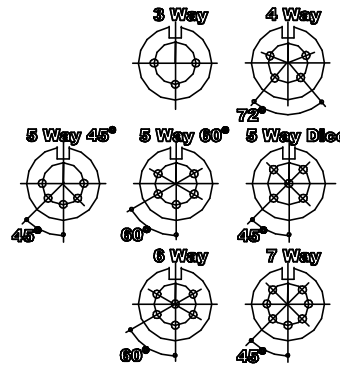
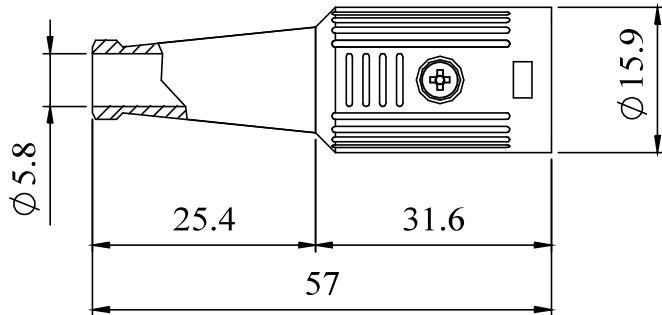


A fully screened robust range of DIN connectors for use in instrumentation and audio applications. Available in two finishes; bright nickel and non-reflective electrically conductive matt black. Robust construction incorporating cable grip and strain relief. This line socket mates with all standard and lockable plugs.

Manufactured to DIN 41 524, 45322, 45326, 45327 and 45329.

Materials	
Housing	Zinc Alloy
	Sprayed w ith Matt Black Conductive Paint
Moulding	Nylon
Contacts	Brass Silver Plated
Cable Clamp	Mild steel Zinc Plated
Grommet	Black P,V,C
Electrical	
Rated Voltage	34 V a.c. or d.c.
Current Rating	2.A
Test Voltage	500 V r.m.s.
Insulation Resistance	103 MΩ min at 100 V d.c
Contact Resistance	10 mΩ max
Capacitance (mated)	3pF
Climatic	
Climatic category	25/070/21
Temperature Range	-25°C to +70°C
Damp heat, steady state	21 days

Dimensions



Type	Deltron No
3 Way	601-0300
4 Way	601-0400
5 Way 45°	601-0500
5 Way 60°	601-0510
5 Way Dice	601-0520
6 Way	601-0600
7 Way	601-0700

RoHS
2002/95/EC
Compliant

Tel No. +44(0)1724 273200 Website www.dem-uk.com

PROPRIETARY AND CONFIDENTIAL
THE INFORMATION CONTAINED IN THIS DRAWING IS THE SOLE PROPERTY OF
ALPHA 3 MANUFACTURING.
ANY REPRODUCTION IN PART OR AS A WHOLE WITHOUT THE WRITTEN PERMISSION OF
ALPHA 3 MANUFACTURING IS PROHIBITED.

UNLESS OTHERWISE SPECIFIED:
DIMENSIONS ARE IN MILLIMETRES
LINEAR TOLERANCE:
NO DECIMAL PLACES ±0.5mm
1 DECIMAL PLACE ±0.25mm
2 DECIMAL PLACES ±0.125mm
ANGULAR TOLERANCE: ±1°

FINISH SCREENED DIN CONNECTOR LINE SOCKET (BLACK)
DEBurr AND BREAK SHARP EDGES
DRAWN BY SPB
APPROVED BY WC
THIRD ANGLE PROJECTION
IF IN DOUBT ASK
DO NOT SCALE DRAWING

MATERIAL SEE NOTE

SCALE 1:1

SHEET 1 OF 1

A4

TITLE GENERAL SPECIFICATION
601 SERIES
CONNECTOR

DRAWING NO.

601 SERIES

ISSUE

05

Release



DEM Manufacturing, Deltron Emcon House
Hargreaves Way, Sawcliffe Ind. Park,
Scunthorpe, North Lincolnshire, DN15 8RF, UK