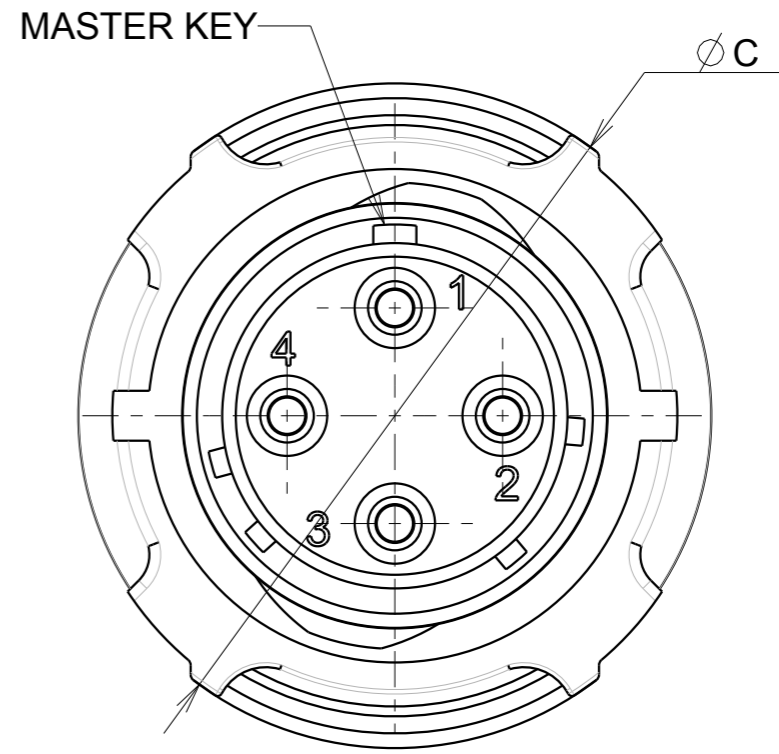
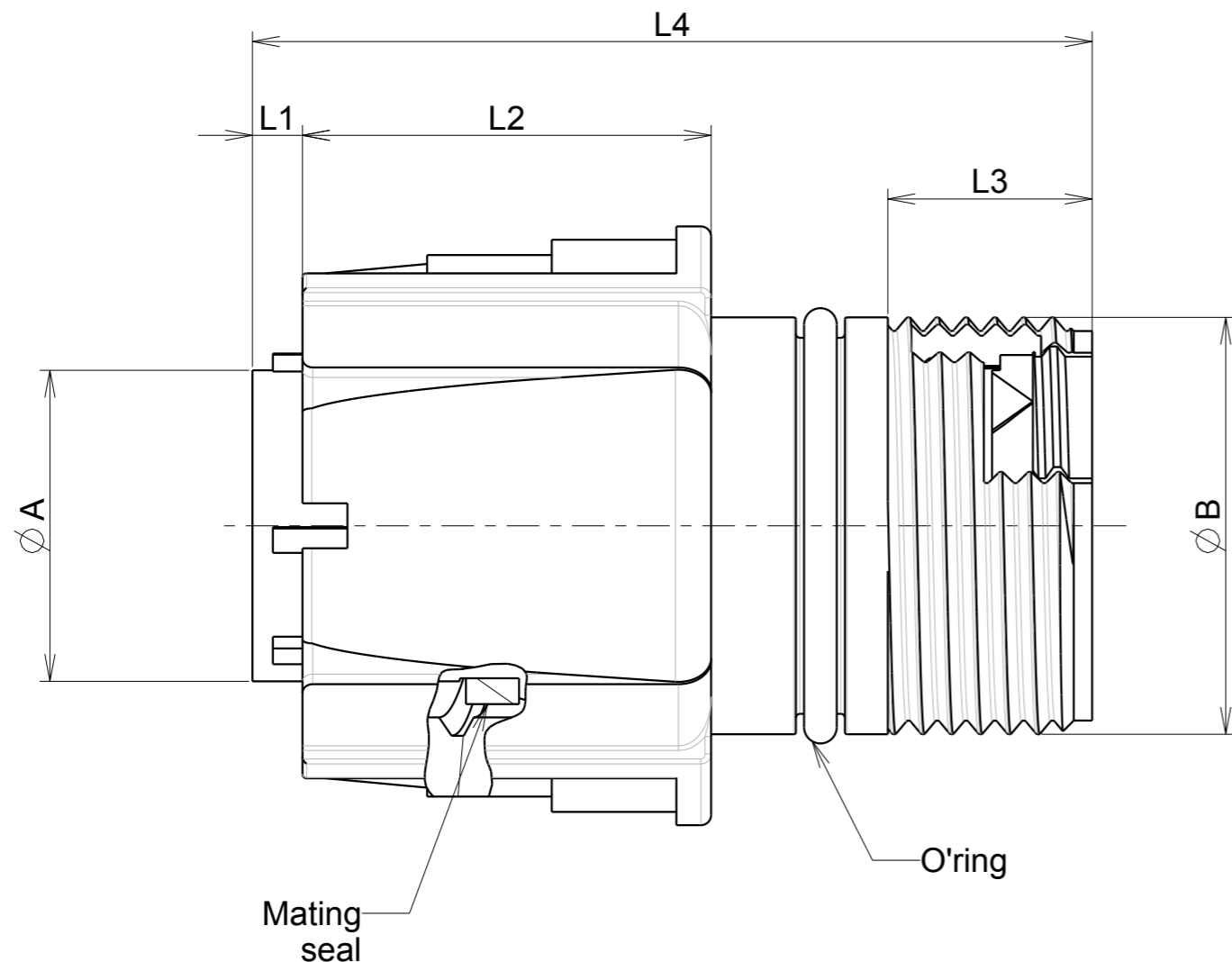


b;1;RL



CL1P - - 00

0 = unsealed (without O'ring and mating seal)
1 = sealed

Shell Sizes	Cts Layout	Cts Qty	Ø Cts	ØA ±0.2	ØB	ØC ±0.2	L1 ±0.4	L2 ±0.2	L3 ±0.2	L4 max
1	1 2	4 9	1.6 mm 1.0 mm	15.27	PG 13	29.3	2.45	20	10	41.1
2	1 2	9 14	1.6 mm 1.0 mm	17.79	M24x1.50	32.8	3.5	20	10	41.1
3	1 2	18 31	1.6 mm 1.0 mm	23.22	PG21	37	3.5	20	10	41.1
4	1 2	26 40	1.6 mm 1.0 mm	33.42	M40x1.50	49.15	3.5	20	10	39.25

CUSTOMER DRAWING

b	09/04/13	Updated drawing		
ISS	DATE	Latest modification - by:		MOD N°
Designed by: <i>brioux</i>		Date: 16/09/11	CUSTOMER DRAWING	
TITLE		Male plug CLIPPER Shell 1-2-3-4		
Scale	3/1		General linear Tolerances: ± 0.2	NPRDS / PROJECT JCL1
SOURIAU		WWW.SOURIAU.COM		This document is the property of SOURIAU It must not be reproduced or communicated without permission
FORMAT	A3	SOURIAU DRG N° C45-JCL1-A		SHEET 1/1

NOT EXPORT CONTROLLED