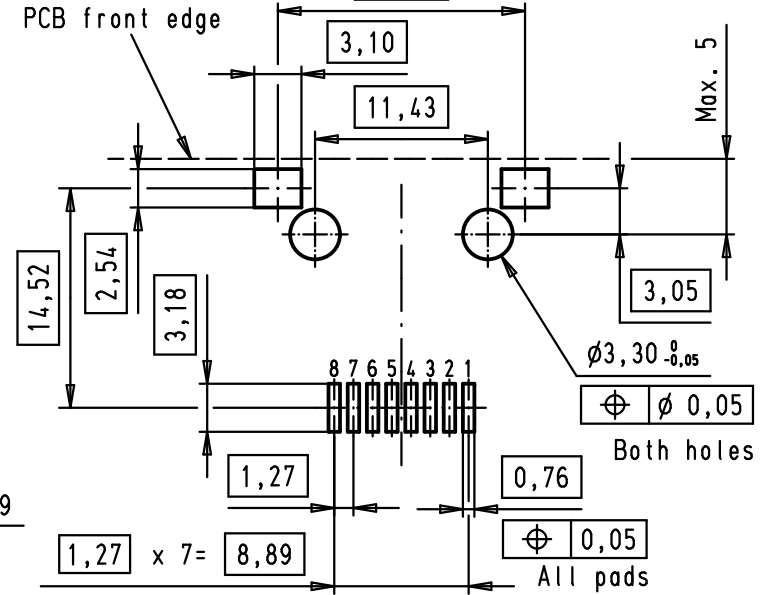
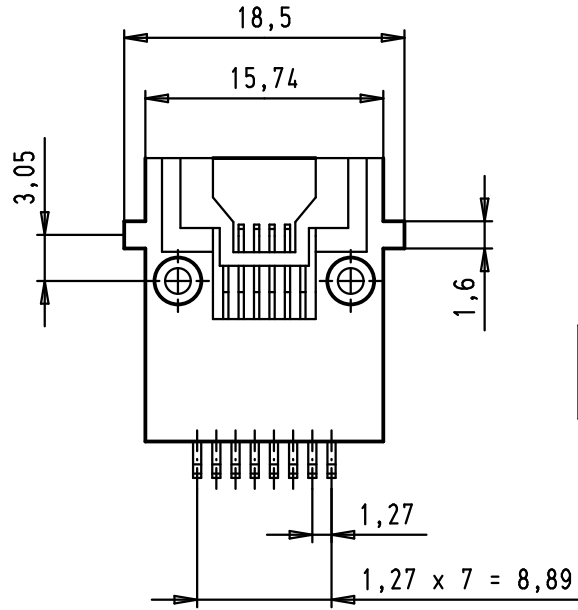


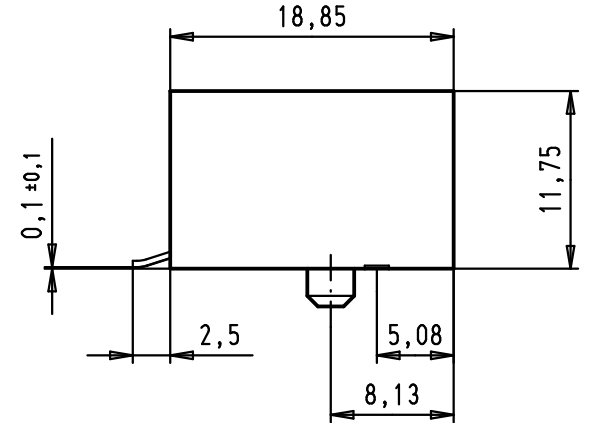
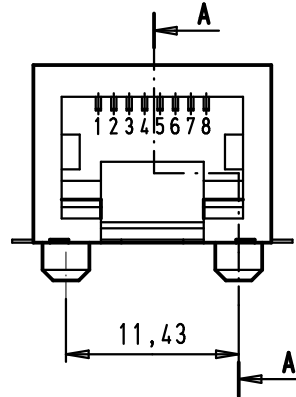
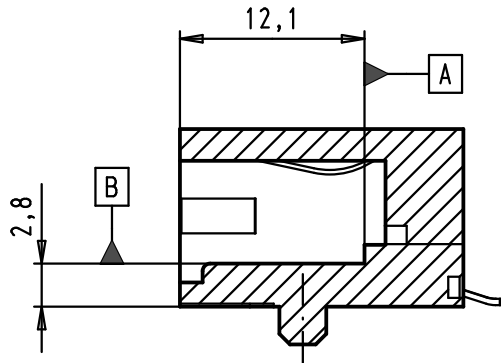
Material:

- Shielding: Copper alloy with nickel plating
- Insert: NY-46, UL-94-V0, black
- Contact: -Alloy, C5210, selective gold plating over nickel in contact area
-Tin plating over nickel in solder area

PCB layout, component side



A-A



36299	20/04/12	SD		Dat.	Name	 All Dim. in mm Orig. Size DIN A 4	HARTING RJ Industrial® RJ 45 Jack with 8 SMT signal terminations and 2 grounding SMT terminations	Maßstab/ Scale 2:1
35070	06/08/08	PK	Detail.	31/03/04	JH			
34885	21/02/08	LP	Insp.	31/03/04	JMV	 HARTING	TB 09 45 551 1100	Blatt/ Page 1 / 1
33468	10/05/06	JFB	Stand.					
32489	15/12/04	JFB	HARTING EURL			F-95972 Paris	Sub.	1 / 1
31884	31/03/04	JH	Mod.	Dat.	Name			