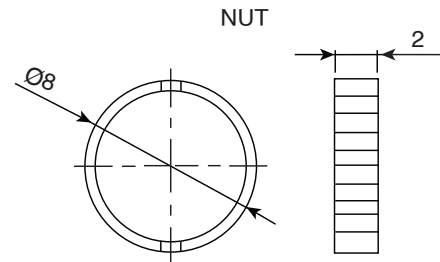
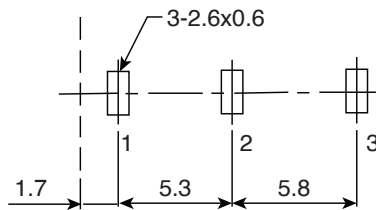
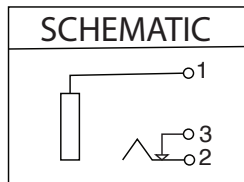
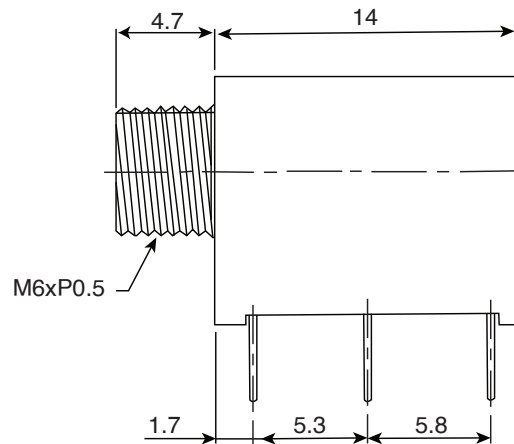
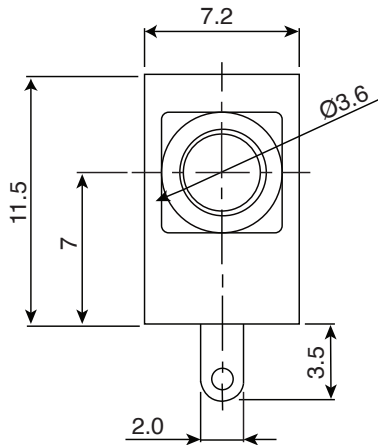


DIMENSIONS: mm



**P.C.B LAYOUT
(TOP VIEW)**

| Materials | | |
|-----------|-----------|-------------|
| NUT | BRASS | NICKEL |
| SPRING | STAINLESS | TIN |
| BUSHING | H59 | NICKEL |
| COVER | PC | TRANSPARENT |
| HOUSING | PBT | BLACK |

Note:

- RoHS Compliant by Exemption

Mouser Electronics

Authorized Distributor

Click to View Pricing, Inventory, Delivery & Lifecycle Information:

[Kobiconn:](#)

[161-50132-EX](#)