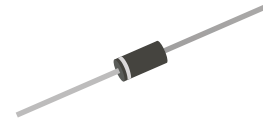


A1N5404G-G

Voltage: 400 V

Current: 3.0 A

RoHS Device

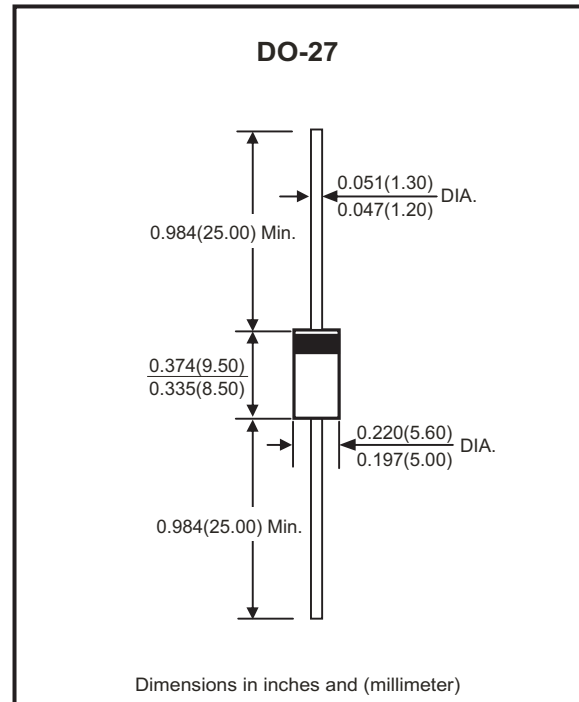


Features

- Glass passivated rectifiers.
- Low forward voltage drop.
- Low reverse leakage current.
- High current capability.
- Comply with AEC-Q101

Mechanical data

- Case: JEDEC DO-27 molded plastic.
- Epoxy: UL 94V-0 rate flame retardant.
- Polarity: Color band denotes cathode.
- Mounting position: Any.
- Weight: 1.1 grams.



Maximum Ratings and Electrical Characteristics

Ratings at 25°C ambient temperature unless otherwise specified.
Single phase, half wave, 60Hz, resistive or inductive load.
For capacitive load, derate current by 20%.

Parameter	Symbol	A1N5404G-G	Unit
Maximum recurrent peak reverse voltage	V _{RRM}	400	V
Maximum RMS voltage	V _{RMS}	280	V
Maximum DC blocking voltage	V _{DC}	400	V
Maximum average forward rectified current @T _A =55°C	I _{F(AV)}	3.0	A
Peak forward surge current, 8.3ms single half sine-wave superimposed on rated load (JEDEC method)	I _{FSM}	125	A
Maximum forward voltage @3.0A DC	V _F	1.1	V
Maximum DC reverse current at rated DC blocking voltage	@T _J =25°C	5.0	μA
	@T _J =100°C	200	
Typical junction capacitance (Note 1)	C _J	50	pF
Typical thermal resistance (Note 2)	R _{θJA}	15	°C/W
Operating temperature range	T _J	-55 to +150	°C
Storage temperature range	T _{STG}	-55 to +150	°C

NOTES:

1. Measured at 1.0MHz and applied reverse voltage of 4.0V DC.
2. Thermal resistance junction to ambient.

Rating and Characteristic Curves (A1N5404G-G)

Fig.1 - Forward Current Derating Curve

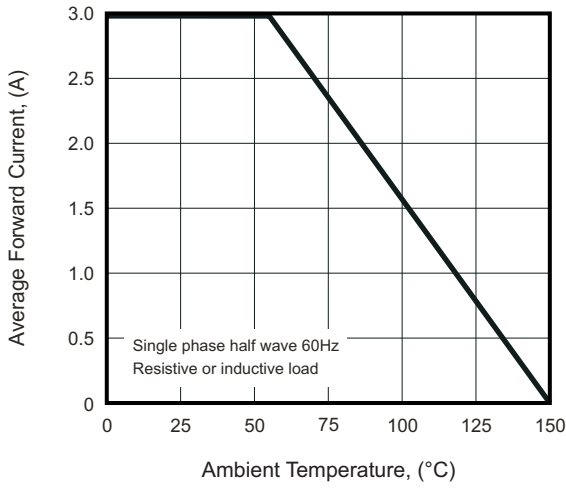


Fig.2 - Max. Non-repetitive Surge Current

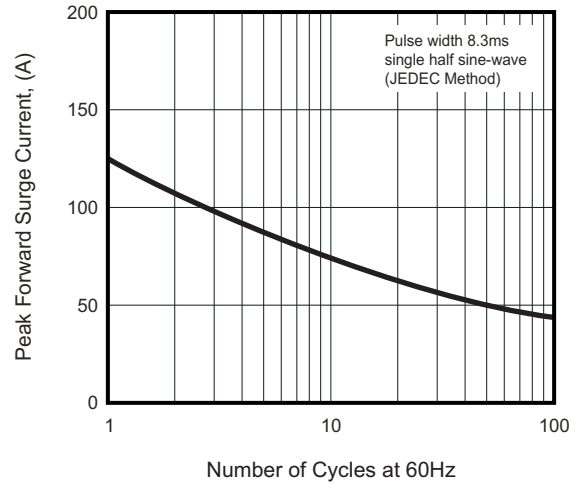


Fig.3 - Typical Junction Capacitance

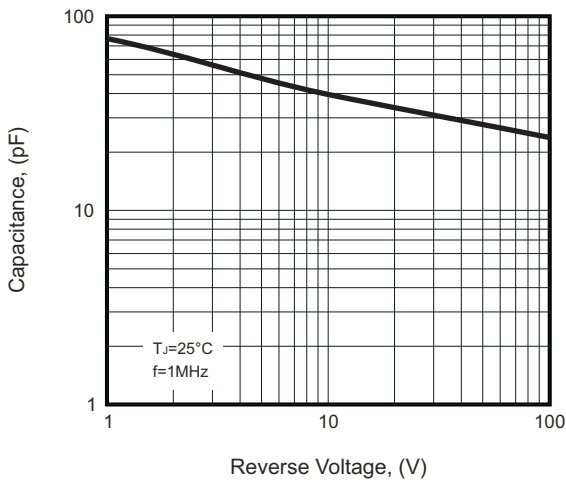
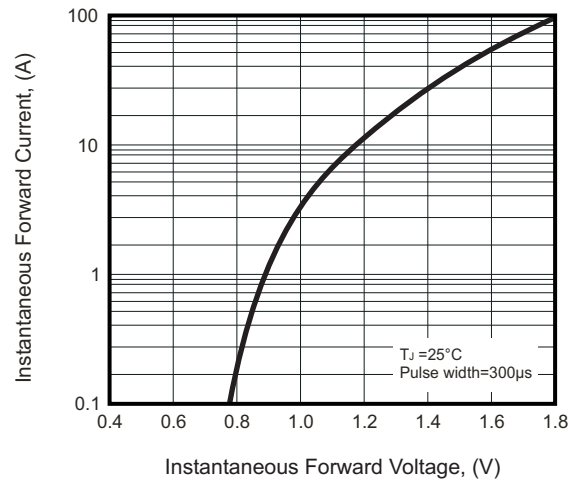
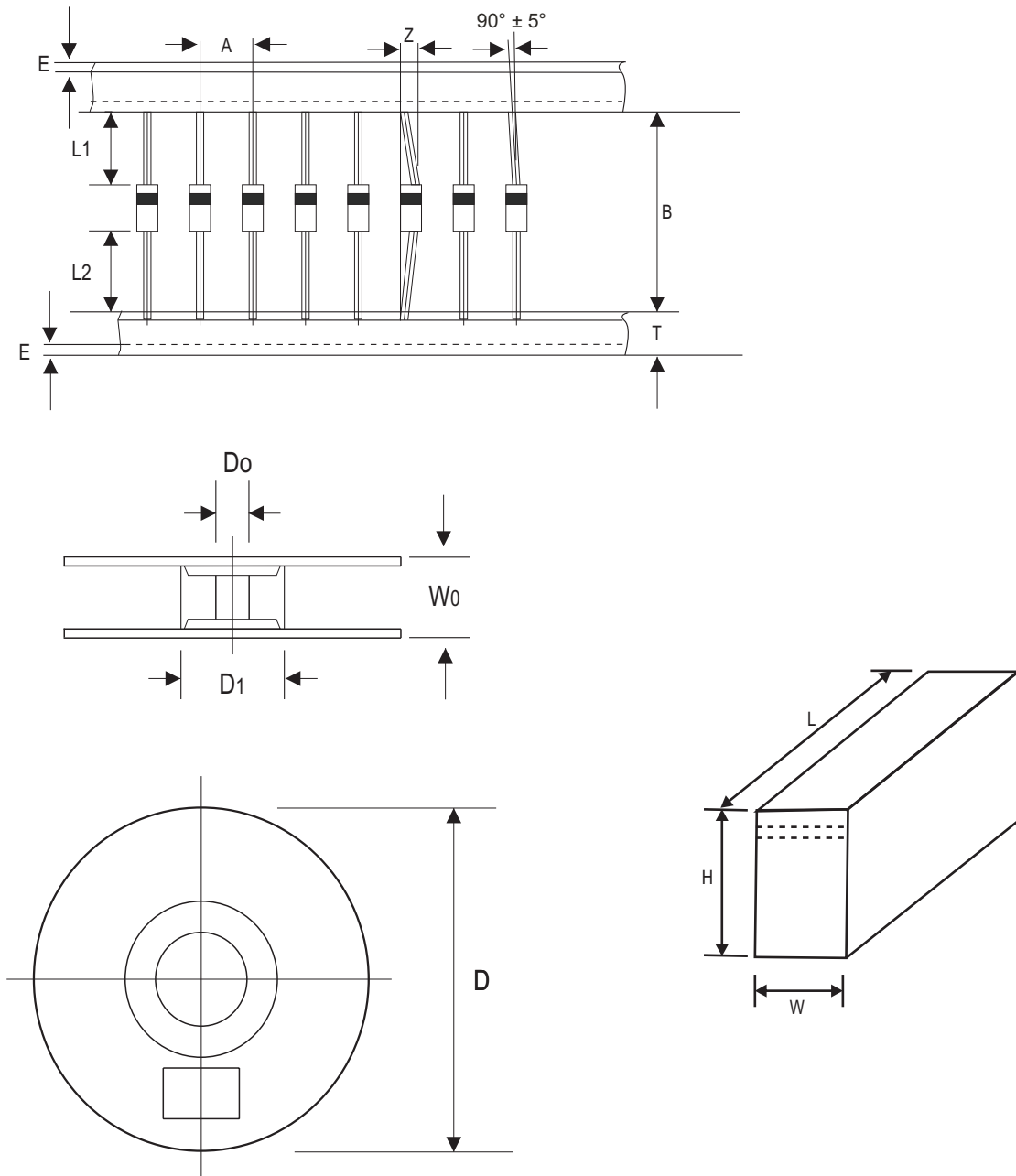


Fig.4 - Typical Forward Characteristics



Taping Specification For Axial Lead Diodes



DO-27 (DO-201AD)	SYMBOL	A	B	Z	T	E	L1	L2
	(mm)	10.00 ± 0.50	52.00 ± 0.50	1.20 (max)	6.00 ± 0.40	0.80 (max)	1.00 (max)	1.00 (max)
	(inch)	0.394 ± 0.020	2.047 ± 0.020	0.047 (max)	0.236 ± 0.016	0.031 (max)	0.039 (max)	0.039 (max)

DO-27 (DO-201AD)	SYMBOL	D1	D0	D	W0	L	W	H
	(mm)	85.70 ± 0.30	16.60 ± 0.40	330.00	79.00 ± 1.00	255.00 ± 5.00	78.00 ± 5.00	95.00 ± 5.00
	(inch)	3.374 ± 0.012	0.654 ± 0.016	12.992	3.110 ± 0.039	10.039 ± 0.197	3.071 ± 0.197	3.740 ± 0.197

Company reserves the right to improve product design, functions and reliability without notice.

REV:A

Marking Code

Part Number	Marking code	Packaging
1N5404G-G	1N5404G	AMMO
1N5404GT-G	1N5404G	REEL
1N5404GB-G	1N5404G	BULK



Note:

1) Suffix code after part number to specify packaging item .

Packaging	Code
AMMO PACK	NA
REEL PACK	T
BULK PACK	B

XX = Product type marking code

Standard Packaging

Case Type	AMMO PACK	
	BOX (pcs)	CARTON (pcs)
DO-27 (DO-201AD)	1,200	12,000

Case Type	REEL PACK	
	REEL (pcs)	Reel Size (inch)
DO-27 (DO-201AD)	1,200	13

Case Type	BULK PACK	
	BOX (pcs)	CARTON (pcs)
DO-27 (DO-201AD)	500	12,000

Company reserves the right to improve product design , functions and reliability without notice.

REV:A

Mouser Electronics

Authorized Distributor

Click to View Pricing, Inventory, Delivery & Lifecycle Information:

[Comchip Technology:](#)

[A1N5404G-G](#)