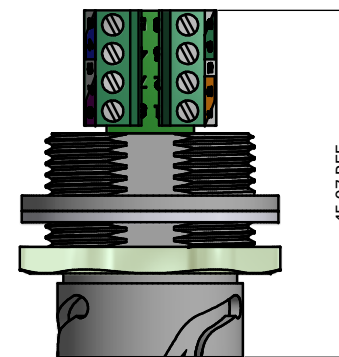
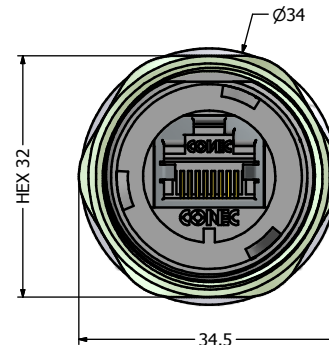
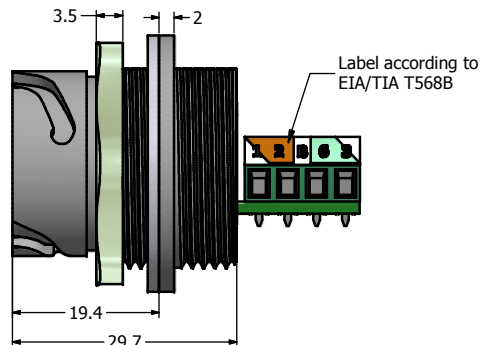
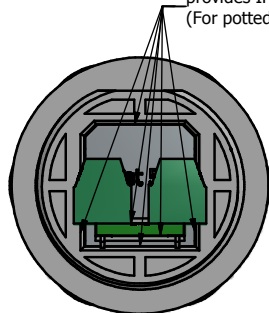


Recommended Panel Cutout



Sealed with Sealing Compound, provides IP67 even when uncovered (For potted version only)



**Notes:**

- Electrical Specifications:
  - Meets EIA/TIA-568-B.2 Cat.5e Specification
  - Contact Resistance: 20mOhm max.
  - Insulation Resistance: 500MOhm min. @ 100 VDC
  - Current Rating: 1.2A max. at 25-C
  - Working Voltage: 100 VDC
  - DWV: 1000 VDC/60s Contact to Contact, 1500 VDC/60s Contact to Metal Shell
  - Operating Temperature: -40-C to +85-C
- Material and Finish:
  - Receptacle Housing: ABS, Nickel Plated; UL94 V-0
  - Panel Nut: Brass, Finish: Nickel Plated
  - Panel Gasket: Silicon, Color: White
  - Cat.5e RJ45 Jack Metal Shell: Copper Alloy, Nickel Plated
  - Cat.5e RJ45 Jack Plastic Housing: Glass filled PBT UL94 V-0, Color: Black
  - Cat.5e RJ45 Jack Contacts: Phosphor Bronze, Finish: 50u" Gold min. over Nickel
  - PCB: FR-4
  - Terminal Block Insulator: Polyamide, UL94 V-0 Rated
  - Terminal: Brass, Tin Plated
  - Gage Clamp: Beass, Tin Plated
  - M2 Screw: Steel, Zinc Plated
- Connector can be front or rear mounted to a maximum panel thickness of 3.2mm.
- Potted Version must be used, if IP67 required when not capped or mated
- Recommended Mounting Panel Nut Torque is 20 to 25 lb-inch

Description	Part Number
Metalized Plastic Version	17-110174
Potted Metalized Plastic Version	17-110184

Directive 2002/95/EC RoHS Compliant

THIS DRAWING MAY NOT BE COPIED OR REPRODUCED IN ANY WAY AND MAY NOT BE PASSED ON TO A THIRD PARTY WITHOUT WRITTEN PERMISSION. OWNERSHIP AND COPYRIGHT OF CONEC CORPORATION.	Customer:		Tolerance Unless otherwise specified 0 PLC ±0.50 1 PLC ±0.38 2 PLC ±0.25 3 PLC ±0.10 ANGLES ±7		Scale: 1.5:1	Dim. in mm		
	Name	Title			Approval Date	Material: See Notes		
	2012	Date			Name	Title: Receptacle Assembly Kit		
	Draw.	Oct. 09			Vincent Ke	Metallized Plastic Receptacle Housing		
Appd.	Oct. 09	J. Chaudry	Norm	with Cat. 5e RJ45 Jack and Terminal Block				
			D-old	Drawing No.: 17K1A346				
a	original				Part No.: SEE PART NUMBER TABLE			
Rev.	Changes	Date			Name	DIN A3	Sheet 1/1	

# Mouser Electronics

Authorized Distributor

Click to View Pricing, Inventory, Delivery & Lifecycle Information:

[CONEC:](#)

[17-110184](#)