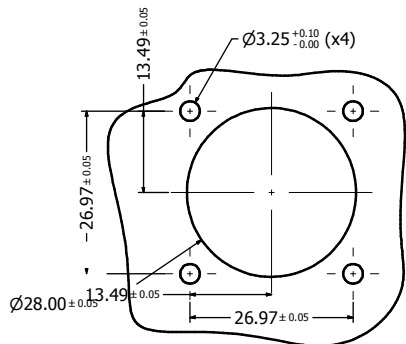
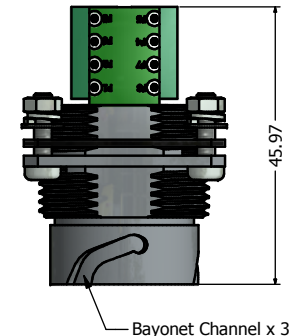
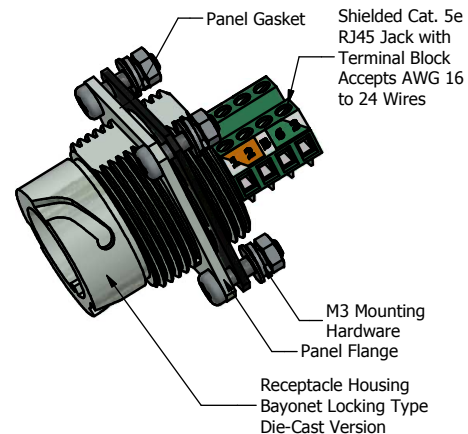


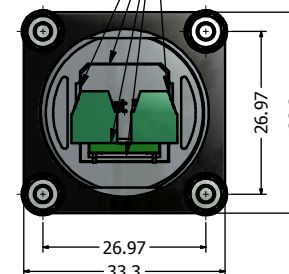
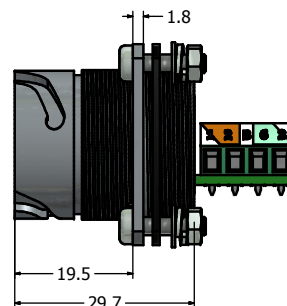
Recommended Double-D Panel Cutout



Recommended Round Panel Cutout



Sealed with Sealing Compound, provides IP67 even when uncovered (For potted version only)



**Notes:**

- Electrical Specifications:
  - Meets EIA/TIA-568-B.2 Cat.5e Specification
  - Contact Resistance: 20 mOhm max.
  - Insulation Resistance: 500MOhm min. @ 100 VDC
  - Current Rating: 1.2A max. @ 25°C
  - Working Voltage: 100 VDC
  - DWV: 1000 VDC/60s Contact to Contact, 1500 VDC/60s Contact to Metal Shell
  - Operating Temperature: -40°C to +85°C
- Material and Finish:
  - Receptacle Housing (with Flange) & Cover: Zinc Die-Cast, Finish: Nickel Plated
  - Cover Gasket: Silicon, Color: White
  - Ball Chain Assembly, Copper Alloy and Stainless steel, Nickel Plated
  - RJ45 Jack Metal Shell: Copper Alloy, Nickel Plated
  - RJ45 Jack Plastic Housing: Glass filled PBT UL94 V-0, Color: Black
  - RJ45 Jack Contacts: Phosphor Bronze, Finish: 50u" Gold min. over Nickel
  - Terminal Block Insulator: Polyamide, UL94 V-0 Rated
  - Terminal: Brass, Tin Plated
  - Gage Clamp: Brass, Tin Plated
  - M2 Screw: Steel, Zinc Plated
  - Panel Gasket: NBR, Color: Black
  - M3 Mounting Hardware: Stainless Steel
  - Includes 4 x (Screw + Nut + Flat Washer + Spring Lock Washer)
- Connector can be front or rear mounted to a maximum panel thickness of 3.2mm.
- IP67 rated when covered or fully mated with the appropriate mating connector
- Hardware shipped unassembled
- Recommended mounting torque is 12 to 14 lb-inch

Directive 2002/95/EC RoHS Compliant

Description	Part Number
Nickel Plated Zinc Die-Cast with Cat5e RJ45 Jack with Terminal Block + Cover	17-111194
Potted Nickel Plated Zinc Die-Cast with Cat5e RJ45 Jack with Terminal Block + Cover	17-111204

THIS DRAWING MAY NOT BE COPIED OR REPRODUCED IN ANY MANNER AND MAY NOT BE PASSED ON TO A THIRD PARTY WITHOUT WRITTEN PERMISSION. OWNERSHIP AND COPYRIGHT OF CONEC CORPORATION  DOT NOT ALTER CAD DRAWING BY HAND	Customer:		Tolerance Unless otherwise specified		 Autodesk Inventor	Scale:	Dim. in mm
	Name	Title	Approval Date	0 PLC ± 0.30 1 PLC ± 0.20 2 PLC ± 0.10 3 PLC ± 0.05 ANGLES ± 1°		Material: See Notes	
	Rev.	Changes	Date	Name	2012 Date Name Draw. Nov. 22 Vincent Ke Appd. Nov. 22 J. Chaudry	Cat. 5e RJ45 + Terminal Block Receptacle (with Flange) + Cover Kit Nickel Plated Zinc Die-Cast Version	
	a	original			Norm	Drawing No.: 17K1A385	DIN A3
					<b>CONEC</b>	Part No.: SEE PART NUMBER TABLE	Sheet 1/1

# Mouser Electronics

Authorized Distributor

Click to View Pricing, Inventory, Delivery & Lifecycle Information:

[CONEC:](#)

[17-111204](#)