

DETAILS

Product Number	C12948_LENA-WAS
Family	Lena
Type	Reflector
Color	metal
Diameter	111 mm
Height	37 mm
Style	round
Optic Material	PC
Holder Material	
Fastening	glue
Status	production ready
ROHS Compliant	Yes
Date Updated	30/01/2017

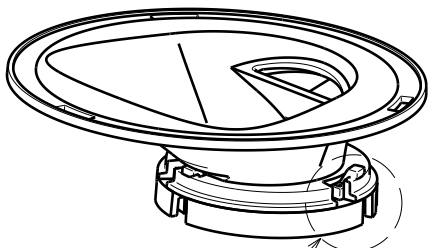


OPTICAL PROPERTIES

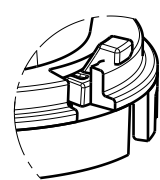
LED	Viewing	Light	Effi-		Connector
	Angle	Beam	ciency	cd/lm	
V13 Gen7	sim: Asymmetric	Asymmetric	sim: 88 %	sim: 1.310	IDEAL: 50-2103CT + 50-2100LN
CLL03x/CLU03x	Asymmetric deg	Asymmetric	87 %	1.100	A.A.G. STUCCHI: 8101/G2 + S-8000/11
CLL04x/CLU04x	asymmetric deg	Asymmetric	80 %	0.800	A.A.G. STUCCHI: 8102/G2 + S-8000/12
CXA/B 30xx	sim: Asymmetric	Asymmetric	sim: 85 %	sim: 1.130	IDEAL: 50-2234C + 50-2100LN
LUXEON CoB 1216	60 deg	Asymmetric	81 %	0.830	A.A.G. STUCCHI: 8102/G2 + S-8000/12
Soleriq P13	asymmetric deg	Asymmetric	87 %	1.070	IDEAL: 50-2101CR + 50-2100LN

D C B A

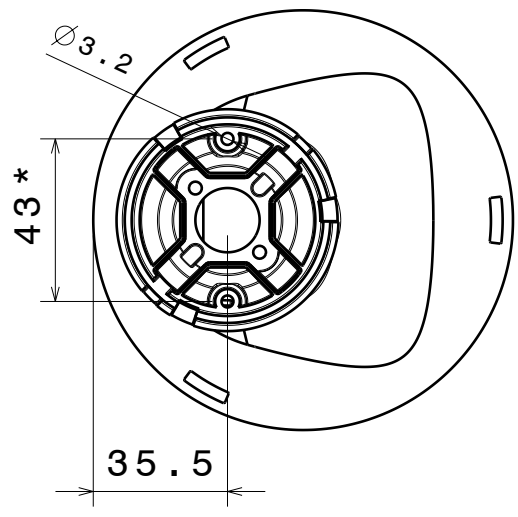
4



A

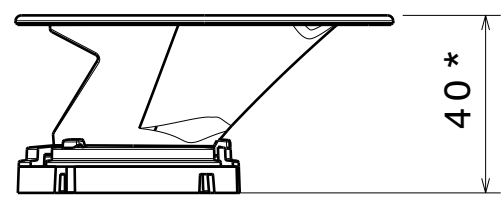


Detail A
Fitting to base part



4

3



Front view

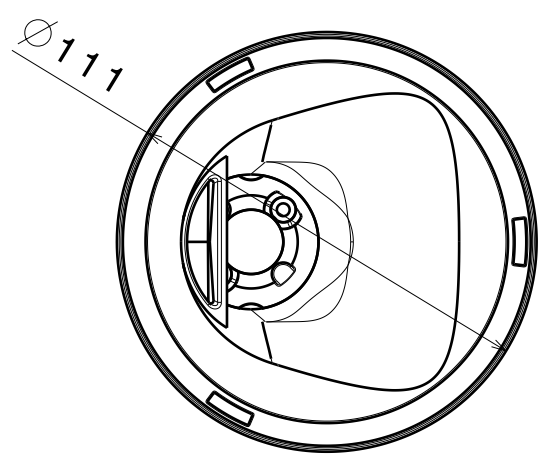
3

*Dimension with CXA20-led base part

Materials:
Base part, White PC.
Reflector, PC with metal coating and clear lacquer.
(Optional sub lens, PC)

Tolerances for dimensions:
0-20mm tolerance value +/-0.1mm
21-45mm tolerance value +/-0.2mm
46-90mm tolerance value +/-0.3mm
91-100mm tolerance value +/-0.4mm
101-mm tolerance value +/-0.5mm

Note:
Optional sublenses available, increases assembly height by 3-4mm depending style.



2

2

This drawing is our property. It can't be reproduced or communicated without our written agreement.



Ledil Oy
Salorankatu 10
FIN 24240 SALO
Finland

DRAWING TITLE
Datasheet LENA-WAS reflector

DRAWN BY
pv
DATE
31.05.2012

CHECKED BY
vs
DATE
30.05.2012

DESIGNED BY
hh
DATE
16.05.2012

SIZE A4	DRAWING NUMBER -	REV 1
-------------------	---------------------	-----------------

SCALE 1:2	WEIGHT (g)	SHEET 1/1
---------------------	------------	---------------------

1

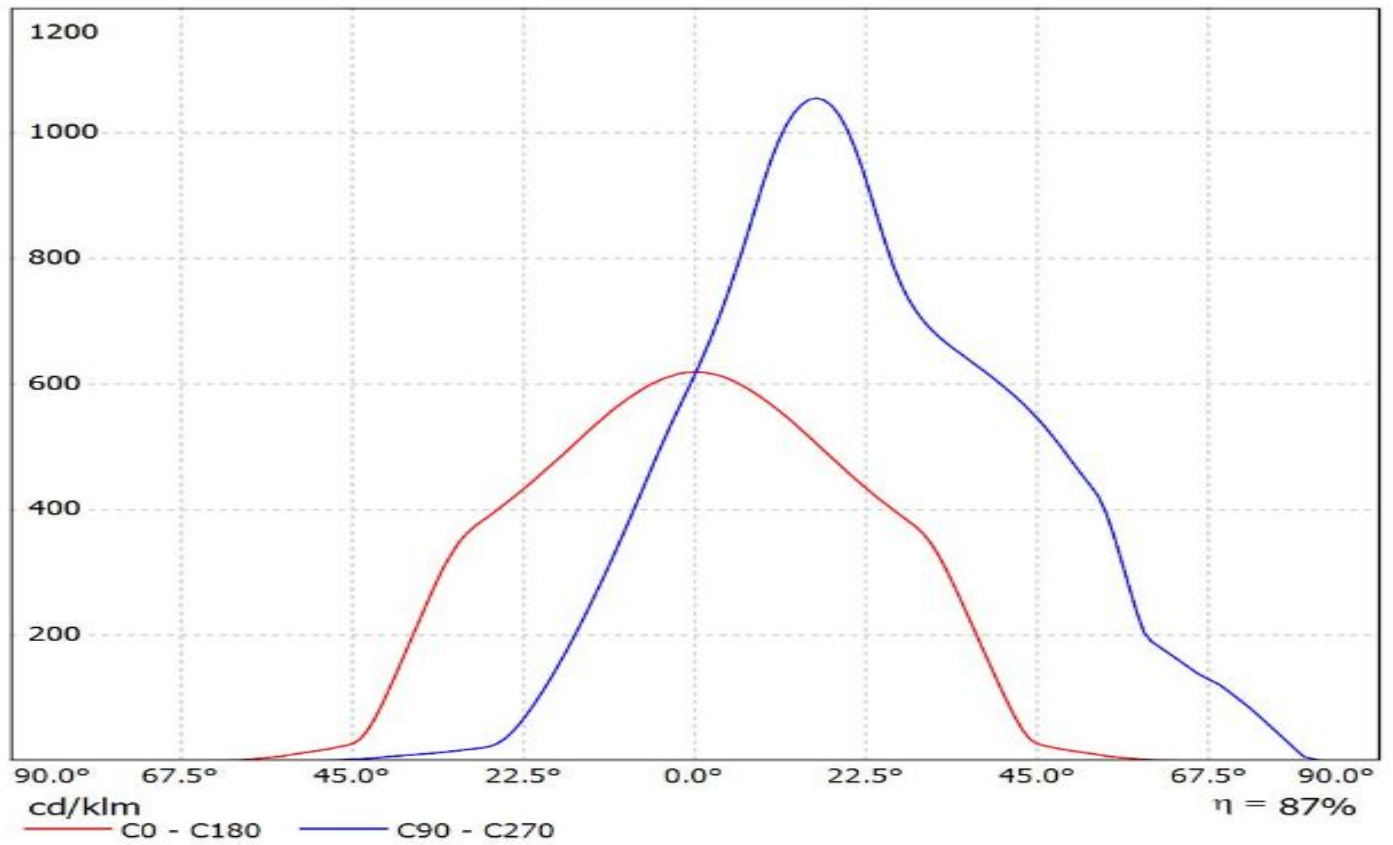
1

D A

Ledil C12948_LENA-WAS_(CLU034+_8101-G2+_S-8000-11) / LDC (Linear)

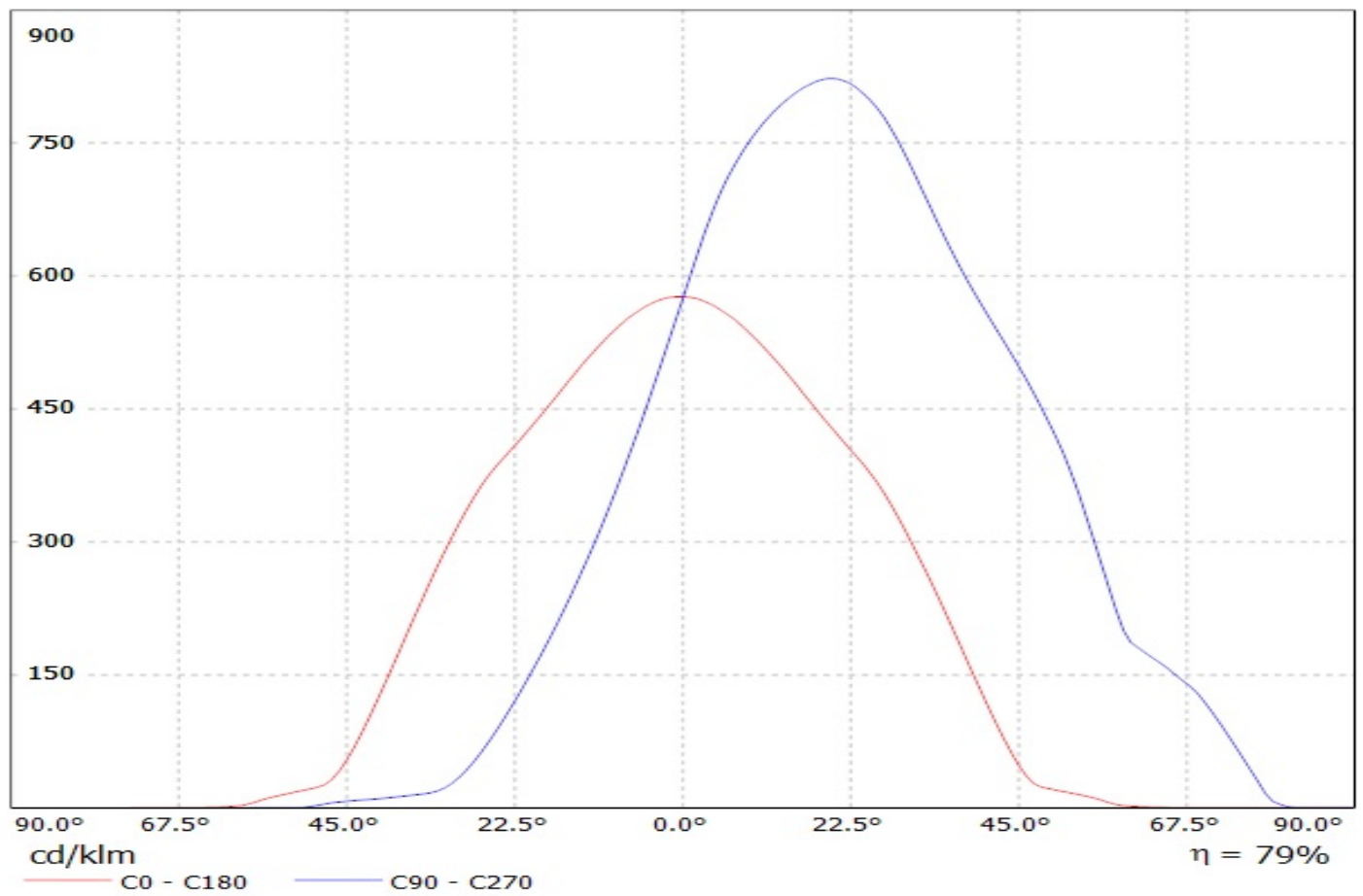
Luminaire: Ledil C12948_LENA-WAS_(CLU034+_8101-G2+_S-8000-11)

Lamps: 1 x Citizen_CLU034_(1205B8-303M1A2)_1178.79lm@250mA_P=8.5W_I=0.25A



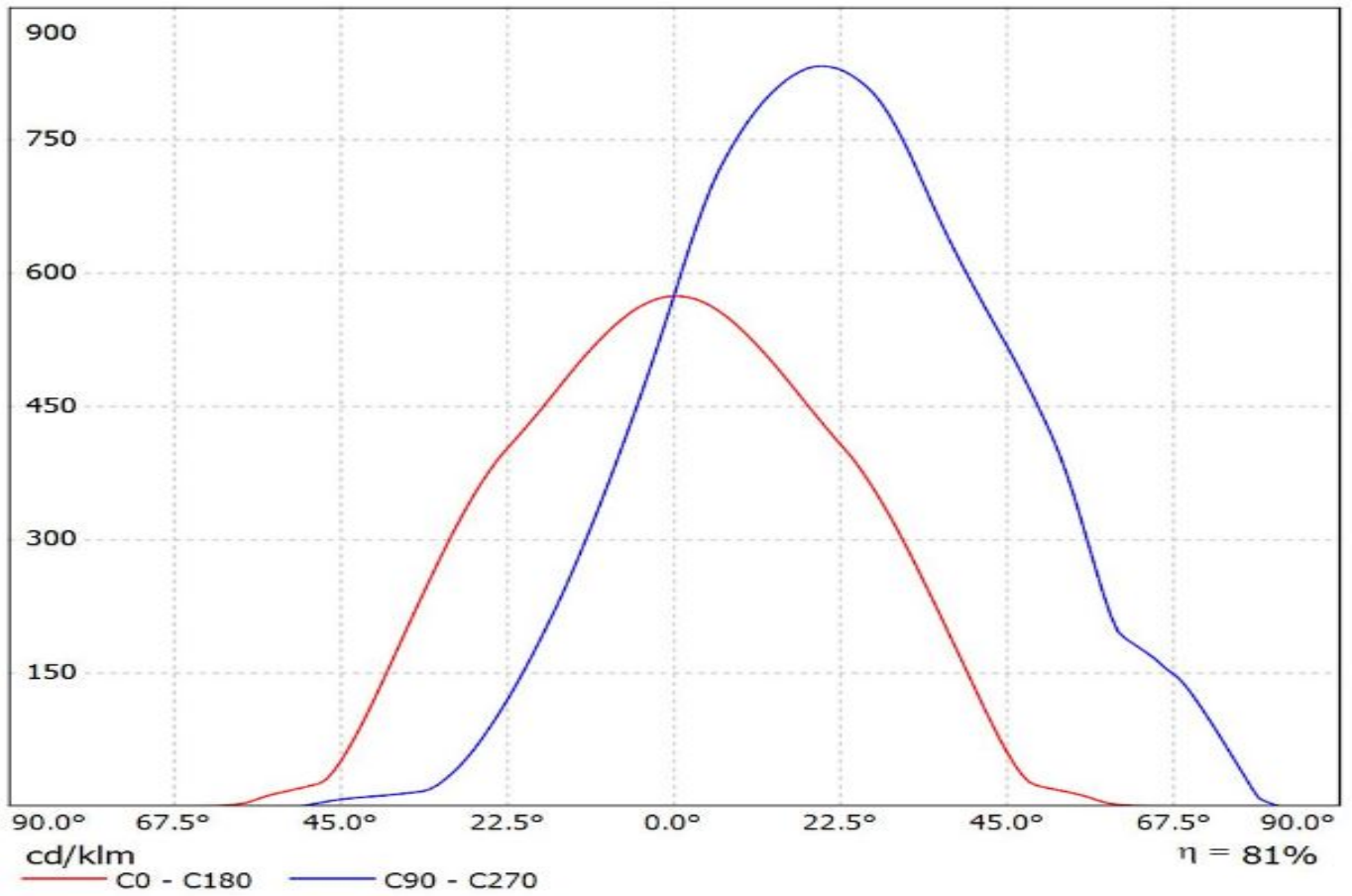
Luminaire: LEDiL Oy C12948_LENA-WAS_(CLU044_+_8102-G2_+_S-8000-12)

Lamps: 1 x Citizen_CLU044_(1212B8-303M1A2)_546.982lm@100mA_P=3.2W_I=0.1A



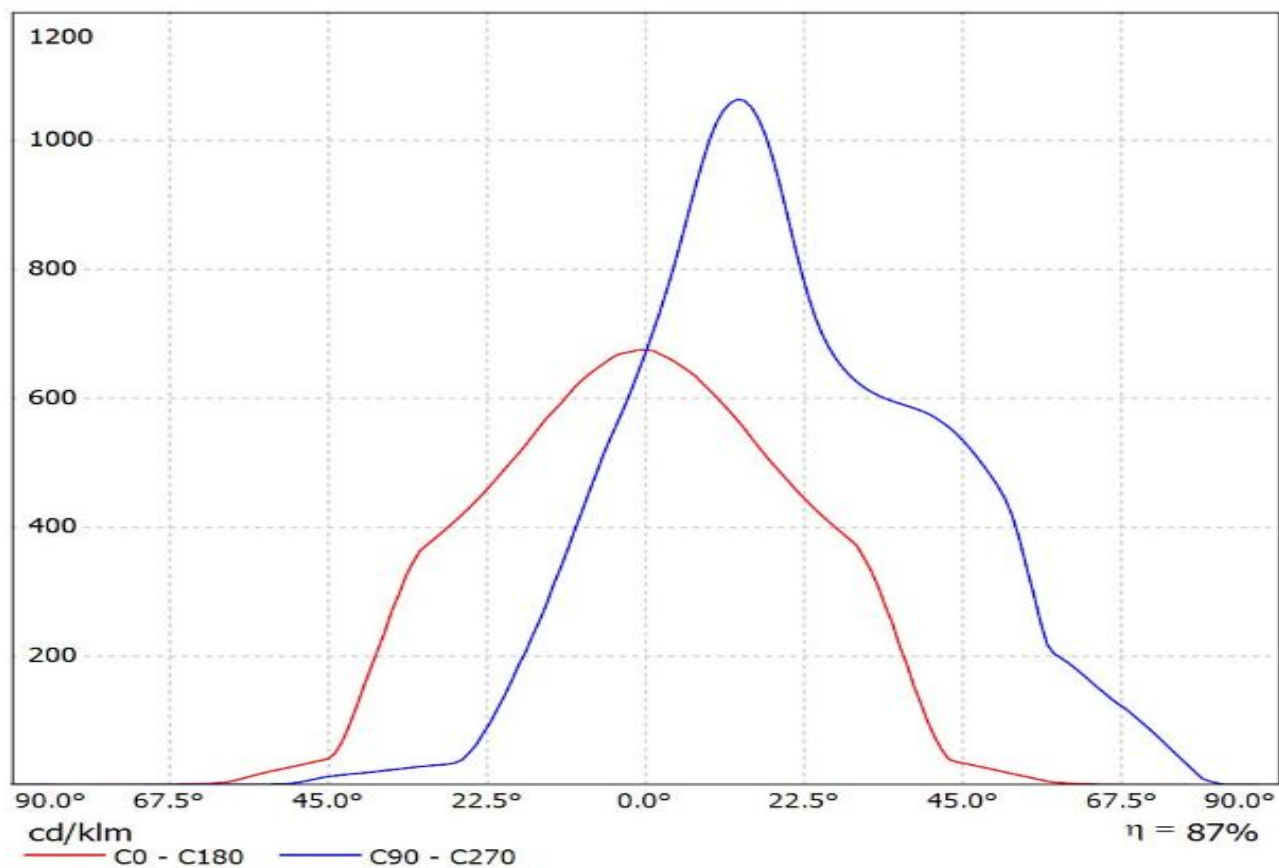
Luminaire: Ledil C12948_LENA-WAS_(CoB_1216)

Lamps: 1 x Luxeon_CoB_1216_(L2C2-40801216E2300)_1475.81lm@250mA_P=7.9980W_I=0.25A



Luminaire: LEDiL Oy C12948_LENA-WAS_(SOLERIQ_P13)

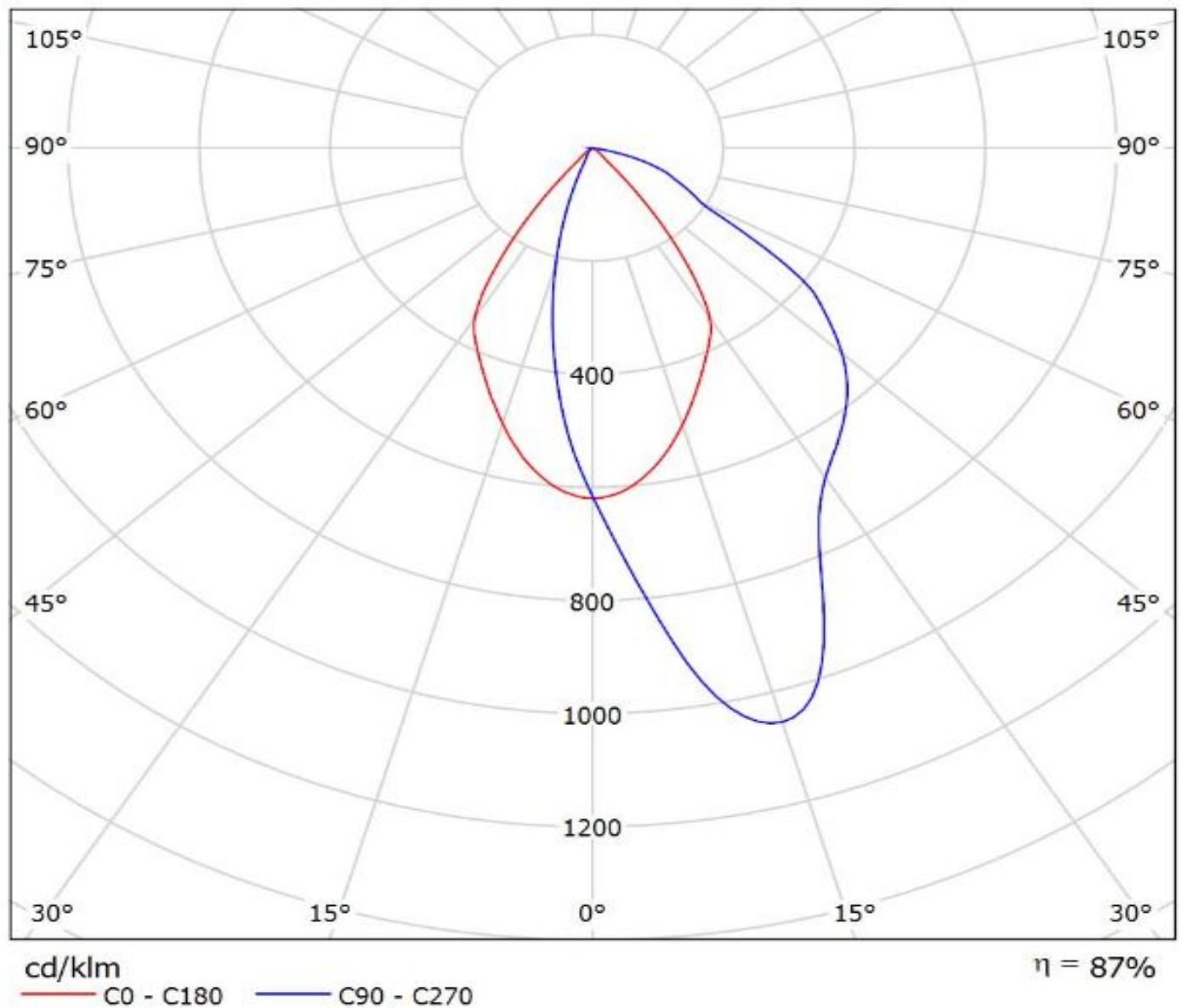
Lamps: 1 x SOLERIQ_P13_(GW_MAGMB1.EM)_1018.49lm@250mA_CCT=3000K_P=8.79046W_I=249.8mA



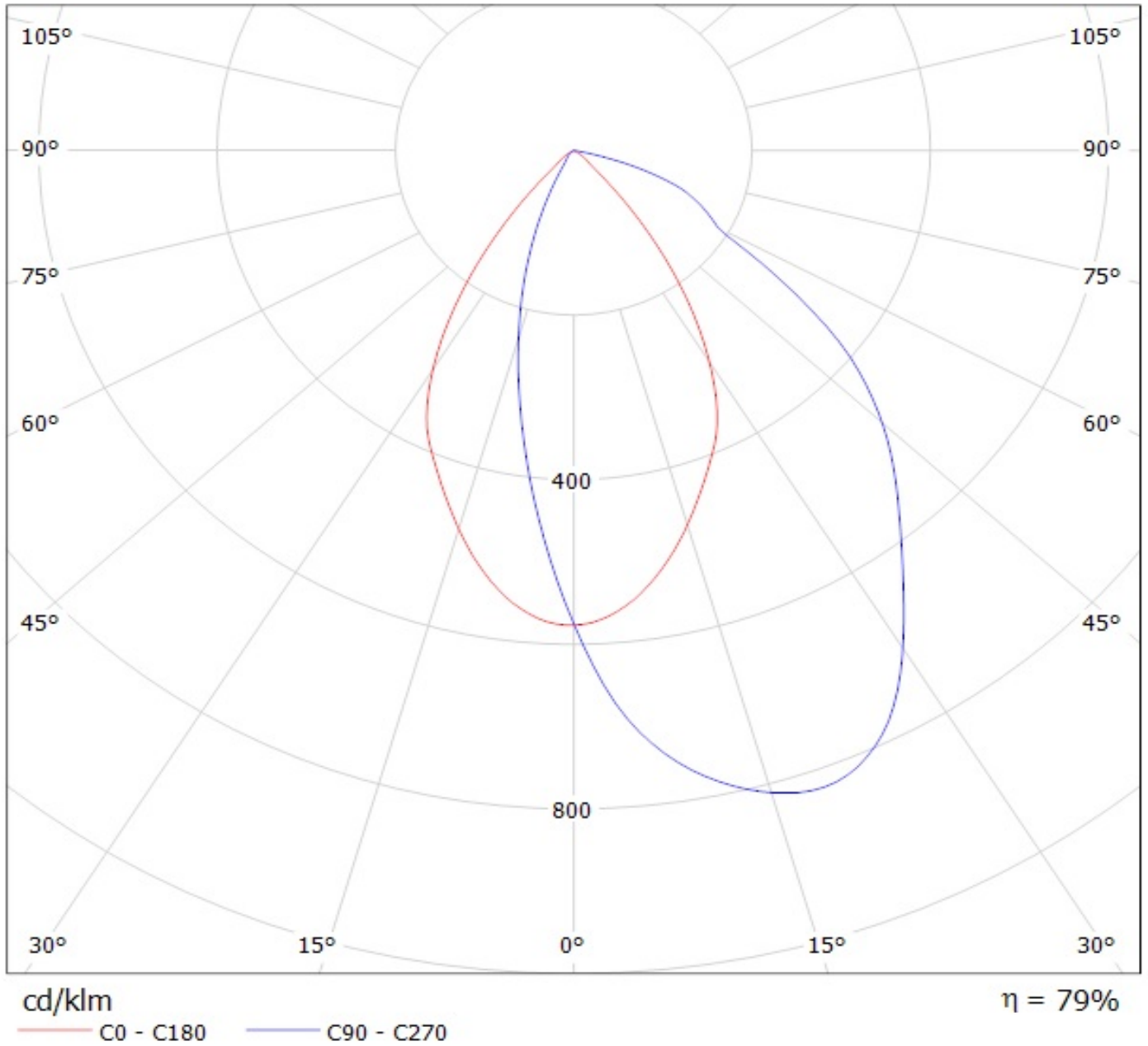
Ledil C12948_LENA-WAS_(CLU034+_8101-G2+_S-8000-11)/LDC (Polar)

Luminaire: Ledil C12948_LENA-WAS_(CLU034+_8101-G2+_S-8000-11)

Lamps: 1 x Citizen_CLU034_(1205B8-303M1A2)_1178.79lm@250mA_P=8.5W_I=0.25A

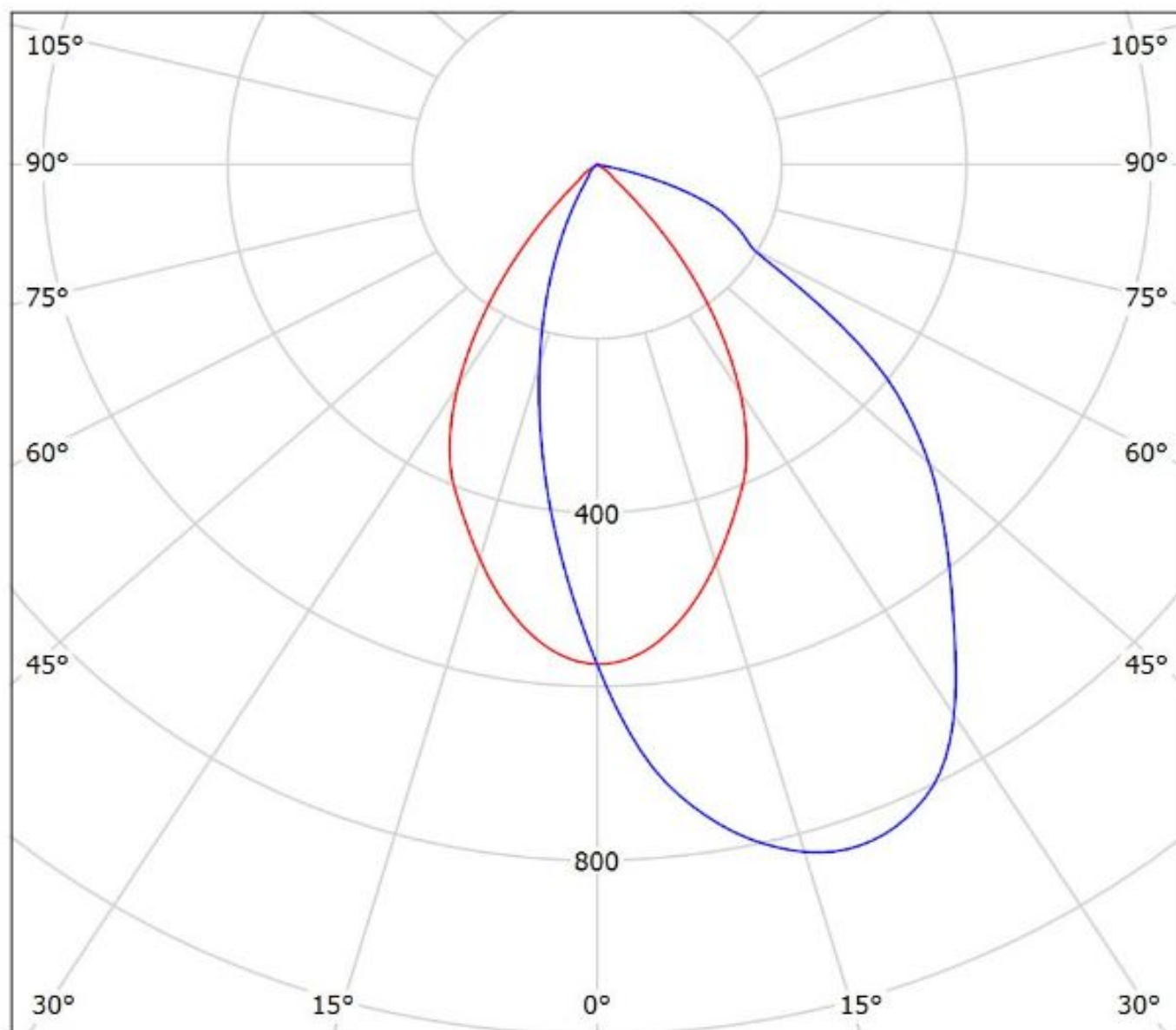


Luminaire: LEDiL Oy C12948_LENA-WAS_(CLU044+_8102-G2+_S-8000-12)
Lamps: 1 x Citizen_CLU044_(1212B8-303M1A2)_546.982lm@100mA_P=3.2W_I=0.1A



Luminaire: Ledil C12948_LENA-WAS_(CoB_1216)

Lamps: 1 x Luxeon_CoB_1216_(L2C2-40801216E2300)_1475.81lm@250mA_P=7.9980W_I=0.25A



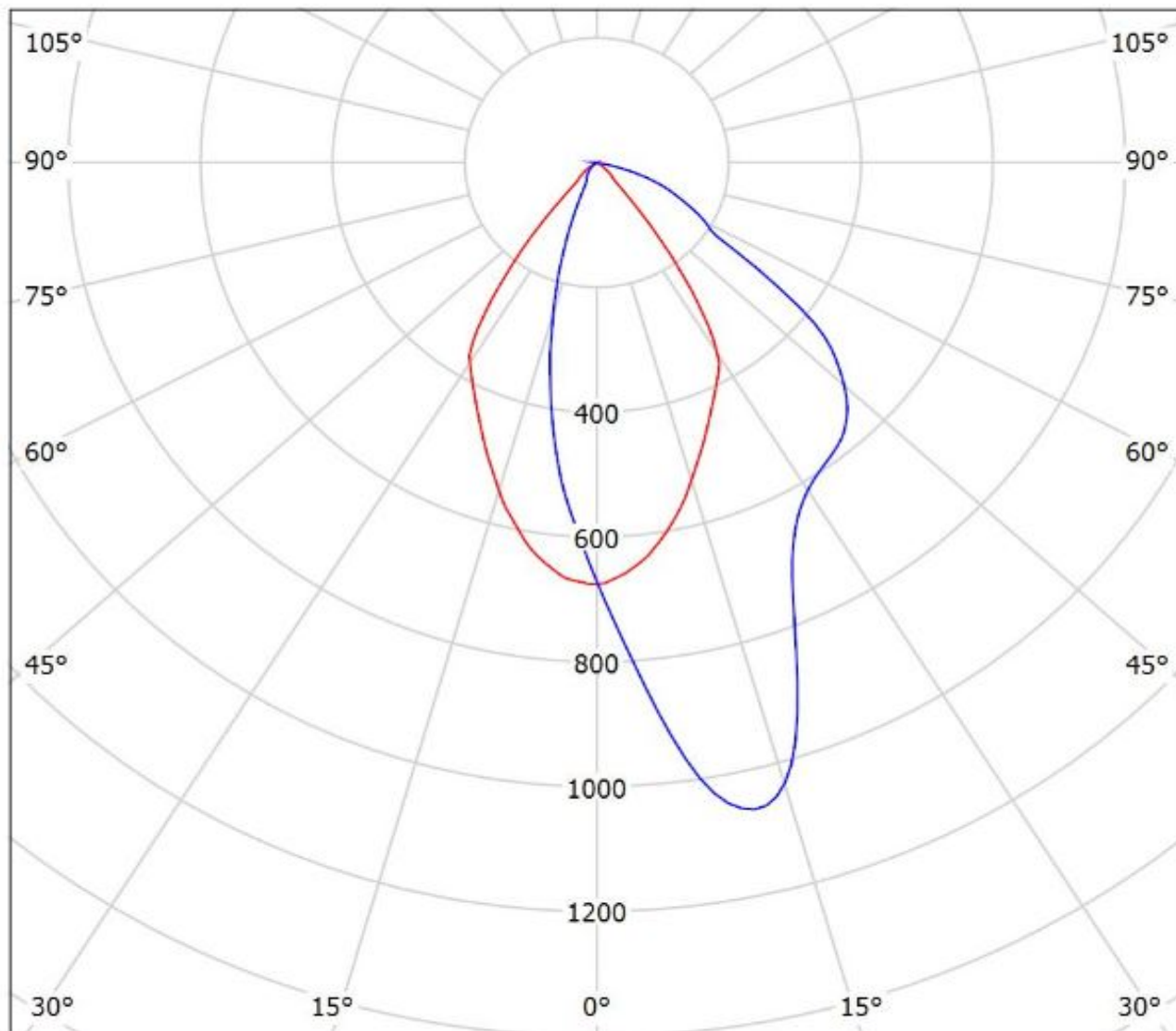
cd/klm

— C0 - C180 — C90 - C270

$\eta = 81\%$

Luminaire: LEDiL Oy C12948_LENA-WAS_(SOLERIQ_P13)

Lamps: 1 x SOLERIQ_P13_(GW_MAGMB1.EM)_1018.49lm@250mA_CCT=3000K_P=8.79046W_I=249.8mA



cd/klm

— C0 - C180 — C90 - C270

$\eta = 87\%$

NOTE: The typical divergence will be changed by different color, chip size and chip position tolerance. The typical total divergence is the full angle measured where the luminous intensity is half of the peak value.

GENERAL INFORMATION

- Product series especially designed & optimized for series of LEDs.
- Special care taken to make light distribution as uniform as possible.

Note! Due to use of high power COB's with this product, special attention to proper thermal design is highly recommended. LEDiL has no liability for direct, indirect or consecutive damages arising from the LEDiL products being used outside of the recommended temperature range.