

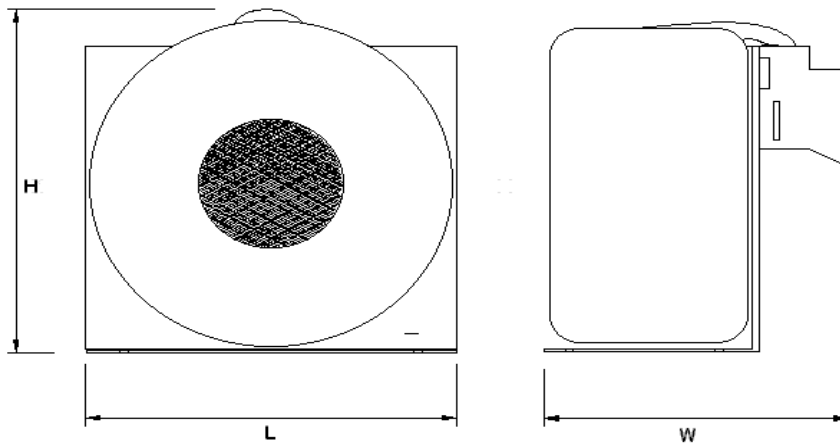
Control Panel Transformer, 500VA

Vprim	Brown	Red	Vsec	Primary	0 - Vprim±10%, 50/60Hz
		Black	0V	Secondary	Vsec - 0 - Vsec, @ 250VA Each (Centre-Tapped winding)
0V	Blue	Red	Vsec		

RS Part No.	Nuvotem/Talema Part No.	Primary Vprim [V]	Full Load Vsec [V]	Rated Current per Sec [A]	No Load Vsec [V]
** 310-3152	SFB0500-230-12	230	12V -0- 12V	20.833	12.61V -0- 12.61V
**** 310-3196	SFB0500-230-24	230	24V -0- 24V	10.417	25.60V -0- 25.60V
	310-3231	230	55V -0- 55V	4.545	58.61V -0- 58.61V
** 310-3253	SFB0500-400-12	400	12V -0- 12V	20.833	12.60V -0- 12.60V
**** 310-3326	SFB0500-400-24	400	24V -0- 24V	10.417	25.58V -0- 25.58V
	310-3376	400	55V -0- 55V	4.545	58.57V -0- 58.57V

Temperature Class Winding Wire (Primary & Secondary). Class H (180°C)
 Insulation between input and output. Class B (130°C)
 Connection lead insulation. Class A (105°C)

Standards Designed and manufactured to conform to the requirements of :
 EN60742 Class II, Non-Short-Circuit Proof
 EN60065 Class II (IEC65)
 EN60950 Class II
 VDE0550 Class II
 VDE0551 Class II
 BS415 Class II



Physical Data Dimensions (L x W x H) 135 x 82 x 138mm
*Items ** 135 x 103 x 138mm (Due to larger terminals)*
 Mounting Holes 113 x 41mm between centres
 Approximate Weight 4.20 Kg

Terminations Screw terminals suitable for conductors 0.5mm² to 4mm², rated at 16A (VDE0551)
 Material : Polyamide 6/6 (PA 6/6), Meet requirements of VBG 4 and VDE0106, part 100
 "Finger Safety Guard" VDE0470, Part 1.
*** Note Items Marked ** have secondary terminals suitable for 2.5mm² to 16mm², which are rated at 63A (VDE0551), with two terminals for 0V*
***** Note Items Marked **** have 2 terminals for 0V (4mm²)*