

Quick Exhaust Valve Series AQ

Excellent exhaust characteristics

High flow capacity

Compact and light weight

A wide selection of models



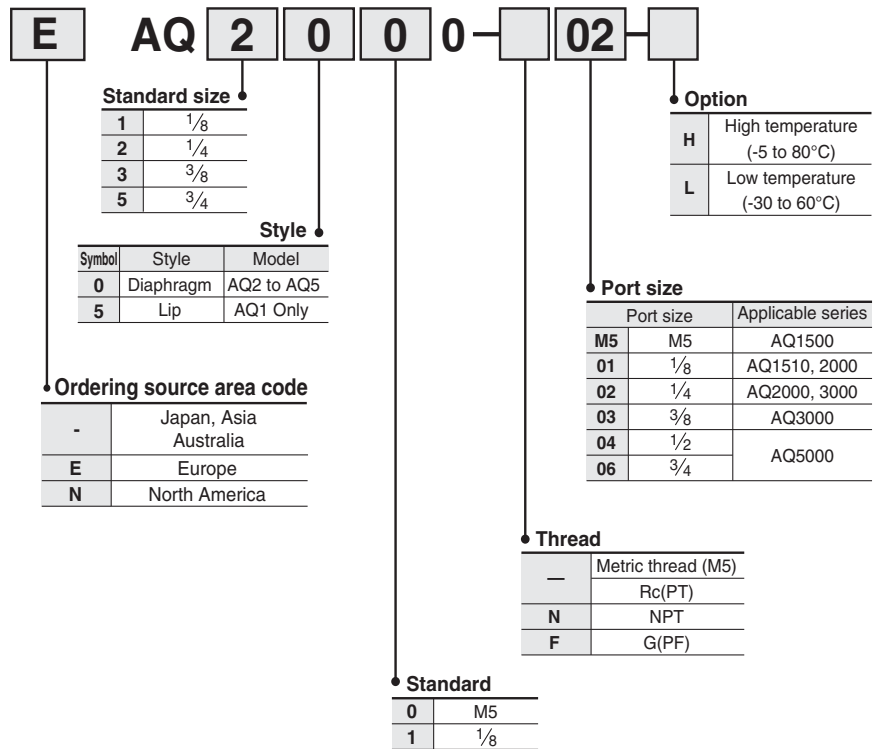
Model

Model	Port size	Effective area (mm ²)		Weight (g)
		INÆOUT	OUTÆEXH	
AQ1500-M5	M5	2	2.8	25
AQ1510-01	1/8	4	5.8	45
AQ2000-01	1/8	25	25	110
AQ2000-02	1/4	35	40	105
AQ3000-02	1/4	40	42	215
AQ3000-03	3/8	60	70	205
AQ5000-04	1/2	105	115	690
AQ5000-06	3/4	135	180	650

Specifications

Fluid	Air	
Proof pressure	1.5MPa	
Max. operating pressure	AQ15□0	0.7MPa
	AQ2000 to 5000	1MPa
Min. operating pressure	AQ15□0	0.1MPa
	AQ2000 to 5000	0.05MPa
Ambient and fluid temperature	- 5 to 60°C (No freezing)	

How to Order

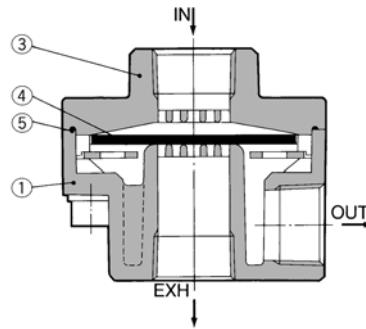
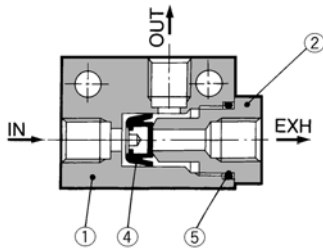


Series AQ

Construction

AQ1500/1510

AQ2000/3000/5000



Component Parts

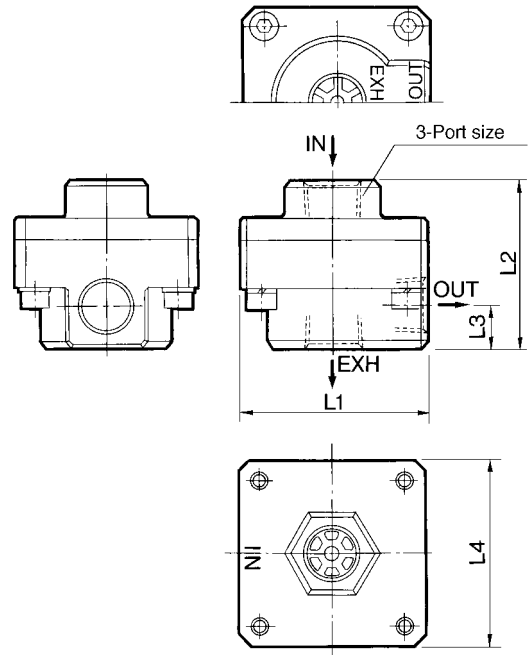
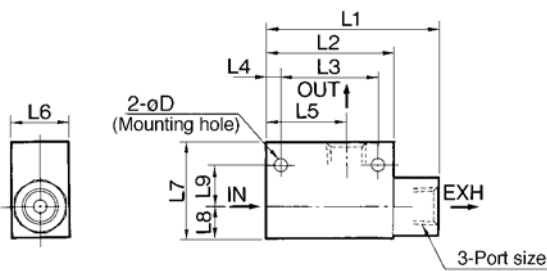
No.	Description	Material/Model		
		AQ1500	AQ1510	AQ2000/3000/5000
①	Body	Zinc die casted	Zinc die casted	Aluminum die casted
②	Guide	Brass	Brass	—
③	Cover	—	—	Aluminum die casted

No.	Description	Material
④	Valve	NBR
⑤	O ring	NBR

Dimensions

AQ1500/1510

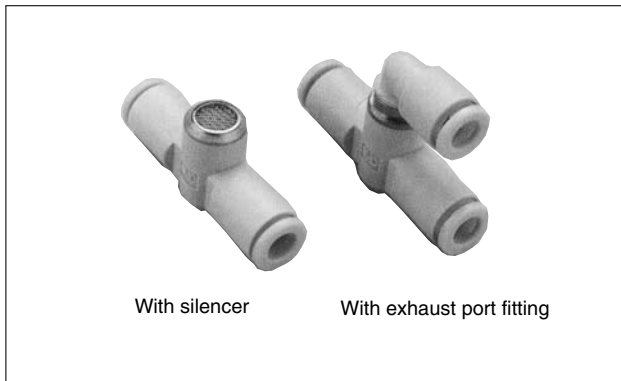
AQ2000/3000/5000



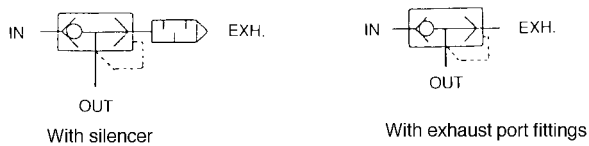
Model	Port size	L1	L2	L3	L4	L5	L6	L7	L8	L9	D
AQ1500	M5	23	20	14	3	12.5	12	15	5.5	6.5	3.1
AQ1510	1/8	45	33	25	4	21	15	25	8	11	4.3

Model	Port size	L1	L2	L3	L4
AQ2000	1/8, 1/4	45	40	10	45
AQ3000	1/4, 3/8	56	50	12.5	56
AQ5000	1/2, 3/4	85	75	18	85

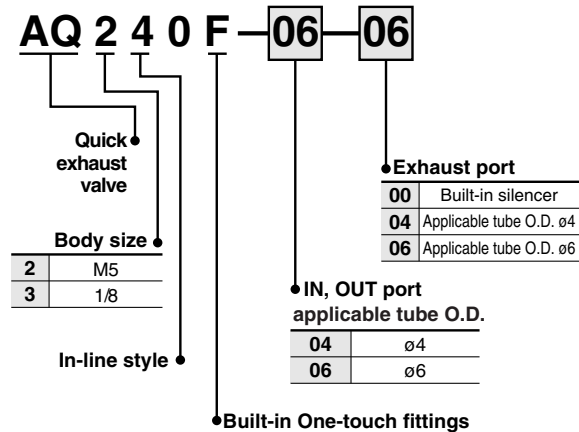
Built-in One-touch Fittings Quick Exhaust Valve Series AQ240F/340F



JIS Symbol



How to Order



Note) Brass parts are all electroless nickel plated.

Space saving

Rectilinear IN-OUT tubing connections

- Built-in One-touch fittings and Silencer
- Light weight (Resin body)

Specifications

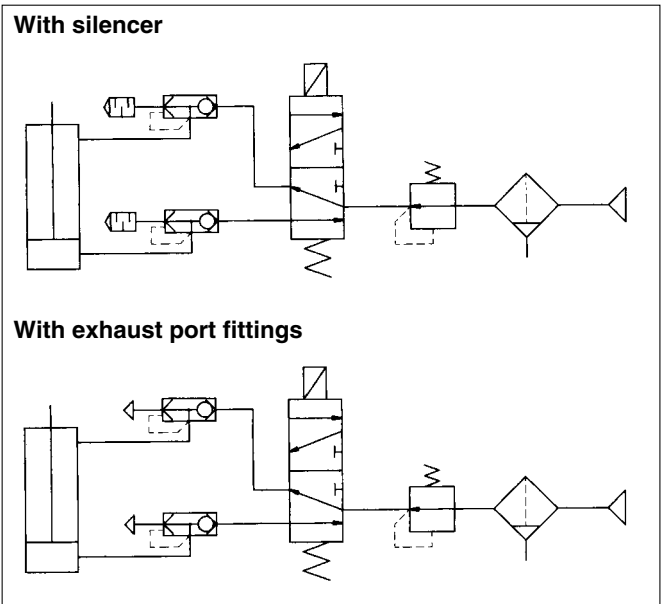
Proof pressure	1.5MPa
Max. operating pressure	1MPa
Min. operating pressure	0.1MPa
Ambient and fluid temperature	- 5 to 60°C (No freezing)
Applicable tubes ⁽¹⁾	Nylon, Soft nylon, Polyurethane

Note 1) Pay attention to the max. supply pressure for Soft nylon and Polyurethane.

Model

Model	Applicable tube O.D.		Effective area (mm ²)	
	4	6	IN→OUT	OUT→EXH.
AQ240F-04-□	●		1.7	2.5
AQ240F-06-□		●	2.4	2.7
AQ340F-06-□		●	4	4

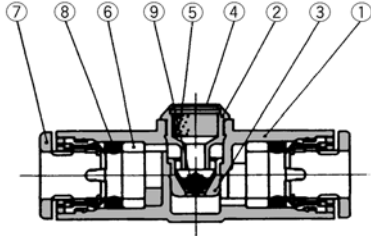
Circuit



AQ240F/340F

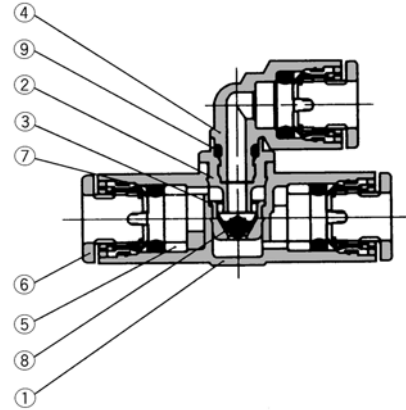
Construction

With silencer



No.	Description	Material	Note
①	Body A	PBT	
②	Seat ring	Brass	Electroless nickel plated
③	Valve seat	Brass	Electroless nickel plated
④	Silencer cover	SUS304	
⑤	Silencer	PVA sponge	
⑥	Spacer	POM	
⑦	Cassette	POM/Stainless steel	
⑧	Packing	NBR	
⑨	Valve	NBR	

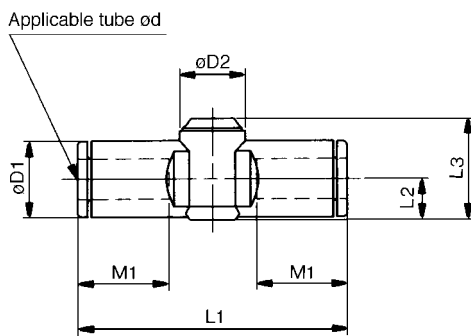
With exhaust port fitting



No.	Description	Material	Note
①	Body A	PBT	
②	Seat ring	Brass	Electroless nickel plated
③	Valve seat	Brass	Electroless nickel plated
④	Elbow union body	POM	
⑤	Spacer	POM	
⑥	Cassette	POM/Stainless steel	
⑦	Packing	NBR	
⑧	Valve	NBR	
⑨	O ring	NBR	

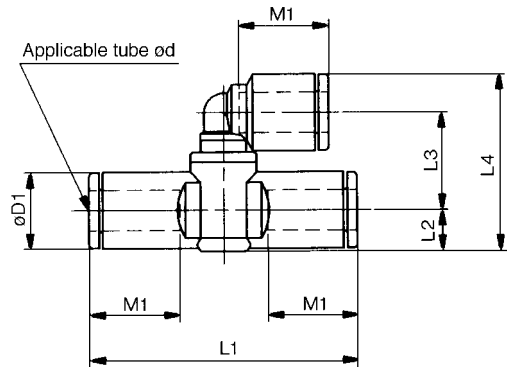
Dimensions

With silencer



Model	Tube O.D.ød	D1	D2	L1	L2	L3	M1	Wt.(g)
AQ240F-04-00	4	9.3	10.0	39.2	5.2	14.3	12.9	5
AQ240F-06-00	6	11.6	10.0	40.7	6.2	15.4	13.7	6
AQ340F-06-00	6	11.6	11.8	44.8	6.3	19.5	13.7	11

With exhaust port fitting



Model	Tube O.D.ød	D1	L1	L2	L3	L4	M1	Wt.(g)
AQ240F-04-04	4	9.3	39.2	5.2	13.7	23.5	12.9	6
AQ240F-06-06	6	11.6	40.7	6.2	14.7	26.7	13.7	8
AQ340F-06-06	6	11.6	44.8	6.3	19.6	31.7	13.7	13