

MAXIM

8-Bit Parallel DAC in QSOP-16 Package

MAX5480

General Description

The MAX5480 is a CMOS, 8-bit digital-to-analog converter (DAC) that interfaces directly with most microprocessors. On-chip input latches make the DAC load cycle interface similar to a RAM write cycle, where \overline{CS} and \overline{WR} are the only control inputs required.

Linearity of $\pm 1/2$ LSB is guaranteed, and power consumption is less than $500\mu\text{W}$. Monotonicity is guaranteed over the full operating temperature range.

The MAX5480 can be operated in either voltage-output or current-output mode. It is available in a small 16-pin QSOP package.

Applications

- Digitally Adjusted Power Supplies
- Programmable Gain
- Automatic Test Equipment
- Portable, Battery-Powered Instruments
- VCO Frequency Control
- RF Transmit Control in Portable Radios

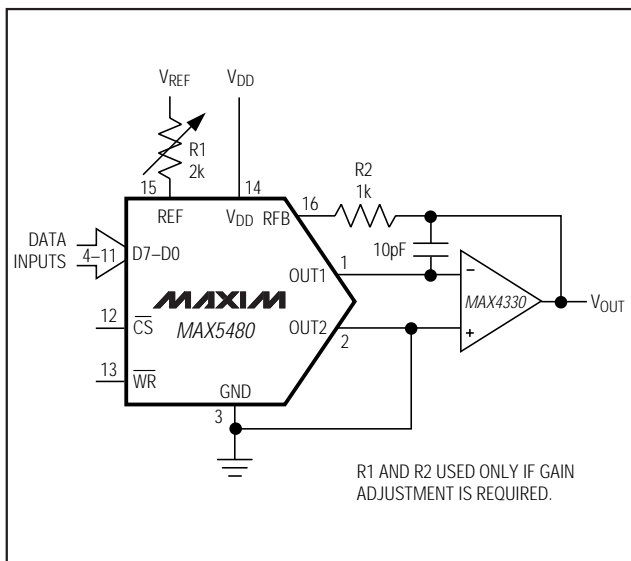
Features

- ◆ QSOP-16 Package (same footprint as SO-8)
- ◆ Single +5V Supply Operation
- ◆ V_{OUT} or I_{OUT} Operation
- ◆ 8-Bit Parallel Interface
- ◆ Guaranteed Monotonic Over Temperature
- ◆ Low Power Consumption— $100\mu\text{A}$ max
- ◆ $\pm 1/2$ LSB Linearity Over Temperature

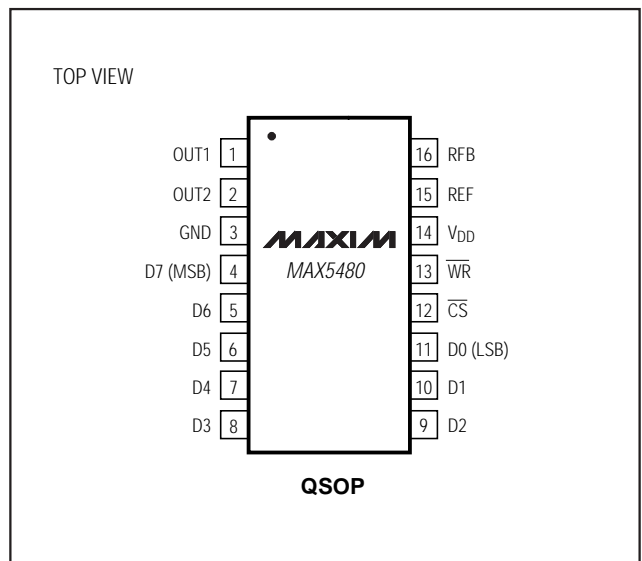
Ordering Information

PART	TEMP. RANGE	PIN-PACKAGE	ERROR (LSB)
MAX5480ACEE	0°C to +70°C	16 QSOP	$\pm 1/2$
MAX5480BCEE	0°C to +70°C	16 QSOP	$\pm 1/2$
MAX5480AECE	-40°C to +85°C	16 QSOP	$\pm 1/2$
MAX5480BECE	-40°C to +85°C	16 QSOP	$\pm 1/2$

Typical Operating Circuit



Pin Configuration



8-Bit Parallel DAC in QSOP-16 Package

ABSOLUTE MAXIMUM RATINGS

V _{DD} to GND	-0.3V to +17V
REF to GND	±25V
RFB to GND	±25V
Digital Inputs to GND	-0.3V to (V _{DD} + 0.3V)
OUT1, OUT2 to GND	-0.3V to V _{DD}

Operating Temperature Ranges	
MAX5480_CEE	0°C to +70°C
MAX5480_EEE	-40°C to +85°C
Storage Temperature Range	
	-65°C to +160°C
Continuous Power Dissipation (T _A = +70°C)	
MAX5480_EE (derate 8.3mW/°C above +70°C)	0.667mW
Lead Temperature (soldering 10sec)	
	+300°C

Stresses beyond those listed under "Absolute Maximum Ratings" may cause permanent damage to the device. These are stress ratings only, and functional operation of the device at these or any other conditions beyond those indicated in the operational sections of the specifications is not implied. Exposure to absolute maximum rating conditions for extended periods may affect device reliability.

ELECTRICAL CHARACTERISTICS

(V_{DD} = +5V, V_{REF} = +10V, V_{OUT1} = V_{OUT2} = 0V, Circuit of Figure 1, T_A = T_{MIN} to T_{MAX}, unless otherwise noted.)

PARAMETER	SYMBOL	CONDITIONS		MIN	TYP	MAX	UNITS
DC ACCURACY							
Resolution				8			Bits
Relative Accuracy	INL					±1/2	LSB
Differential Nonlinearity	DNL	All grades guaranteed monotonic over temperature				±1	LSB
Gain Error (Note 1)		T _A = T _{MIN} to T _{MAX}			±1		LSB
Gain Temperature Coefficient (Note 2)					±2		ppm/°C
Supply Rejection	PSR	MAX5480A (Note 3)	T _A = +25°C	0.002	0.08	%FSR/%	
			T _A = T _{MIN} to T _{MAX}	0.01	0.16		
		MAX5480B	T _A = +25°C	0.002			
			T _A = T _{MIN} to T _{MAX}	0.01			
Output Leakage Current (I _{OUT1})		V _{REF} = ±10V DAC code = full scale	T _A = +25°C		±50	nA	
			T _A = T _{MIN} to T _{MAX}		±400		
Output Leakage Current (I _{OUT2})		V _{REF} = ±10V DAC code = zero scale	T _A = +25°C		±50	nA	
			T _A = T _{MIN} to T _{MAX}		±400		
REFERENCE INPUT							
Input Resistance	R _{REF}	pin 15 to GND		5	10	20	kΩ
DYNAMIC PERFORMANCE							
Output Current Settling Time to 1/2LSB		D0-D7 = 0V to V _{DD} or V _{DD} to 0V, WR = CS = 0V, OUT1 load = 100Ω 13pF	MAX5480A (Note 3)	T _A = +25°C	400	ns	
				T _A = T _{MIN} to T _{MAX}	500		
			MAX5480B	T _A = +25°C	250		
				T _A = T _{MIN} to T _{MAX}			
AC Feedthrough (OUT1 or OUT2)		V _{REF} = ±10V, 100kHz sine wave, WR = CS = 0V	MAX5480A (Note 3)	T _A = +25°C	0.25	ns	
				T _A = T _{MIN} to T _{MAX}	0.5		
			MAX5480B	T _A = +25°C	0.1		
				T _A = T _{MIN} to T _{MAX}			
ANALOG OUTPUTS							
OUT1 Capacitance (Note 3)	C _{OUT1}	D0-D7 = V _{DD} , WR = CS = 0V		120	pF		
		D0-D7 = 0V, WR = CS = 0V		30			
OUT2 Capacitance (Note 3)	C _{OUT2}	D0-D7 = V _{DD} , WR = CS = 0V		30	pF		
		D0-D7 = 0V, WR = CS = 0V		120			

8-Bit Parallel DAC in QSOP-16 Package

MAX5480

ELECTRICAL CHARACTERISTICS (continued)

(V_{DD} = +5V, V_{REF} = +10V, V_{OUT1} = V_{OUT2} = 0V, Circuit of Figure 1, T_A = T_{MIN} to T_{MAX}, unless otherwise noted.)

PARAMETER	SYMBOL	CONDITIONS	MIN	TYP	MAX	UNITS
DIGITAL INPUTS						
Input High Voltage	V _{IH}		2.4			V
Input Low Voltage	V _{IL}				0.8	V
Input Current	I _{IN}	T _A = +25°C; V _{IN} = 0V to V _{DD}			±1	μA
		T _A = T _{MIN} to T _{MAX}			±10	
Input Capacitance (Note 3)	C _{IN}	D0–D7			8	pF
		\overline{WR} , \overline{CS}			20	
POWER REQUIREMENTS						
Supply Current	I _{DD}	Digital inputs at 0V or V _{DD}	T _A = +25°C		100	μA
			T _A = T _{MIN} to T _{MAX}		500	
SWITCHING CHARACTERISTICS (Figure 4)						
Chip-Select to Write-Setup Time	t _{CS}	MAX5480A	220			ns
		MAX5480B		35		
Chip-Select to Write-Hold Time	t _{CH}	MAX5480A	0			ns
		MAX5480B		0		
Write Pulse Width	t _{WR}	MAX5480A	220			ns
		MAX5480B		35		
Data-Setup Time	t _{DS}	MAX5480A	170			ns
		MAX5480B		55		
Data-Hold Time	t _{DH}	MAX5480A	10			ns
		MAX5480B		-7		

Note 1: Gain error is measured using internal feedback resistor. Full-scale range (FSR) = V_{REF}.

Note 2: Gain TempCo measured from +25°C to T_{MAX} and from +25°C to T_{MIN}.

Note 3: Guaranteed by design.

Pin Description

PIN	NAME	FUNCTION
1	OUT1	R-2R Ladder Output
2	OUT2	R-2R Ladder Output, complement of OUT1
3	GND	Ground
4–11	D7–D0	Data Inputs, D7 is the most significant bit.
12	\overline{CS}	Chip Select Input. Active Low.
13	\overline{WR}	Write Control Input. Active Low.
14	V _{DD}	Power Supply Input, +5V
15	REF	Reference Voltage Input
16	RFB	Feedback Resistor Connection

8-Bit Parallel DAC in QSOP-16 Package

Detailed Description

The MAX5480 is an 8-bit multiplying digital-to-analog converter (DAC) that consists of a thin-film R-2R resistor array with CMOS current steering switches. Figure 3 shows a simplified schematic of the DAC. The inverted R-2R ladder divides the voltage or current reference in a binary manner among the eight steering switches. The magnitude of the current appearing at either OUT terminal depends on the number of switches selected; therefore, the output is an analog representation of the digital input. The two OUT terminals must be held at the same potential so a constant current is maintained in each ladder leg. This makes the REF input current independent of switch state and also ensures that the MAX5480 maintains its excellent linearity performance.

Interface-Logic Information

Mode Selection

The inputs \overline{CS} and \overline{WR} control the MAX5480's operating mode (see Table 1).

Write Mode

When \overline{CS} and \overline{WR} are both low, the MAX5480 is in write mode, and its analog output responds to data activity at the D0–D7 data-bus inputs. In this mode, the data latches are transparent (see Tables 2 and 3).

Hold Mode

In hold mode, the MAX5480 retains the data that was present on D0–D7 just prior to \overline{CS} or \overline{WR} assuming a high state. The analog output remains at the value corresponding to the digital code locked in the data latch.

Applications Information

Using the MAX5480 in Voltage-Output Mode (Single Supply)

The MAX5480 can be used either as a current-output DAC (Figures 1 and 6) or as a voltage-output DAC (Figures 2 and 5).

To use the MAX5480 in voltage mode, connect OUT1 to the reference input and connect OUT2 to ground. REF, now the DAC output, is a voltage source with a constant output resistance of 10k Ω (nominally). This output is often buffered with an op amp (Figure 5).

An advantage of voltage-mode operation is single-supply operation for the complete circuit; i.e., a negative reference is not required for a positive output. It is important to note that the range of the reference is restricted in voltage mode. The reference input (voltage at OUT1) must always be positive and is limited to no more than $V_{DD} - 3V$. If the reference voltage exceeds this value, linearity is degraded.

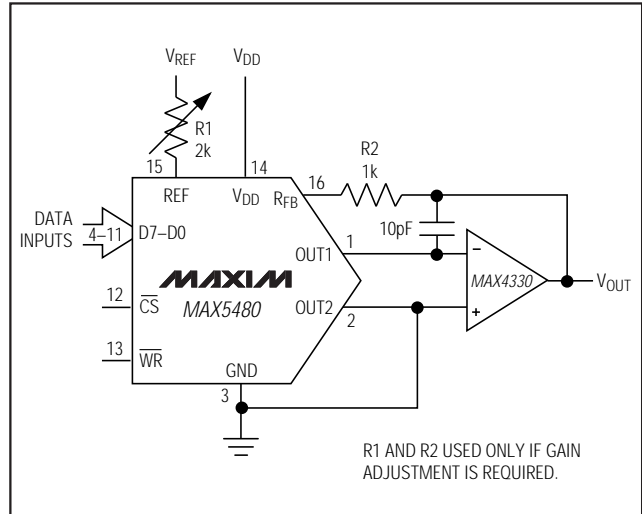


Figure 1. Unipolar Binary Operation (Two-Quadrant Multiplication)

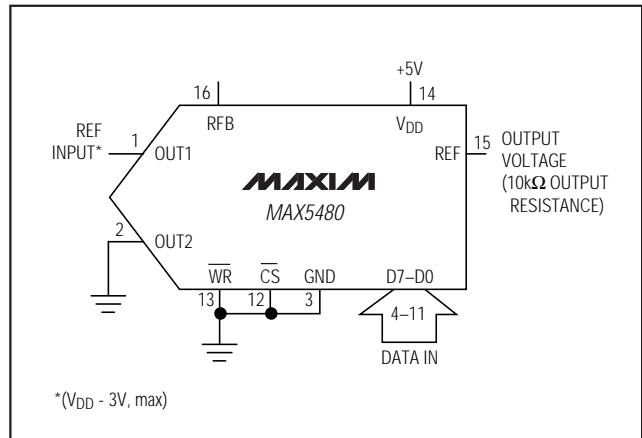


Figure 2. Typical Operating Circuit (Voltage Mode—Unbuffered)

Table 1. Mode-Selection Table

\overline{CS}	\overline{WR}	MODE	DAC Response
L	L	Write	DAC responds to data bus (D0–D7) inputs.
H	X	Hold	Data bus (D0–D7) is locked out; DAC holds last data present when \overline{CS} or \overline{WR} assumed high state.
X	H	Hold	

L = Low State, H = High State, X = Don't Care

8-Bit Parallel DAC in QSOP-16 Package

MAX5480

Table 2. Unipolar Binary Code Table

DIGITAL INPUT MSB	LSB	ANALOG OUTPUT
1	1 1 1 1 1 1 1 1	$-V_{REF} \left(\frac{255}{256} \right)$
1	0 0 0 0 0 0 0 1	$-V_{REF} \left(\frac{129}{256} \right)$
1	0 0 0 0 0 0 0 0	$-V_{REF} \left(\frac{128}{256} \right) = -\frac{V_{REF}}{2}$
0	1 1 1 1 1 1 1 1	$-V_{REF} \left(\frac{127}{256} \right)$
0	0 0 0 0 0 0 0 1	$-V_{REF} \left(\frac{1}{256} \right)$
0	0 0 0 0 0 0 0 0	$-V_{REF} \left(\frac{0}{256} \right) = 0$

NOTE: 1 LSB = $(2^{-8})(V_{REF}) = \frac{1}{256}(V_{REF})$

Table 3. Bipolar (Offset Binary) Code Table

DIGITAL INPUT MSB	LSB	ANALOG OUTPUT
1	1 1 1 1 1 1 1 1	$+V_{REF} \left(\frac{127}{128} \right)$
1	0 0 0 0 0 0 0 1	$+V_{REF} \left(\frac{1}{128} \right)$
1	0 0 0 0 0 0 0 0	0
0	1 1 1 1 1 1 1 1	$-V_{REF} \left(\frac{1}{128} \right)$
0	0 0 0 0 0 0 0 1	$-V_{REF} \left(\frac{127}{128} \right)$
0	0 0 0 0 0 0 0 0	$-V_{REF} \left(\frac{128}{128} \right)$

NOTE: 1 LSB = $(2^{-7})(V_{REF}) = \frac{1}{128}(V_{REF})$

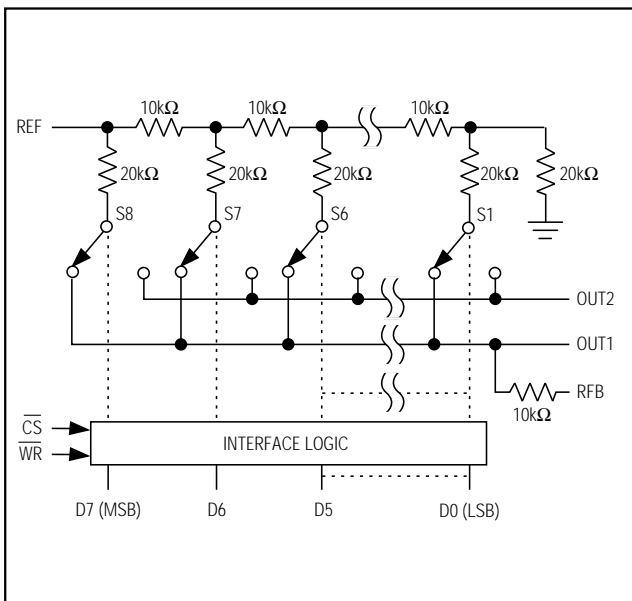
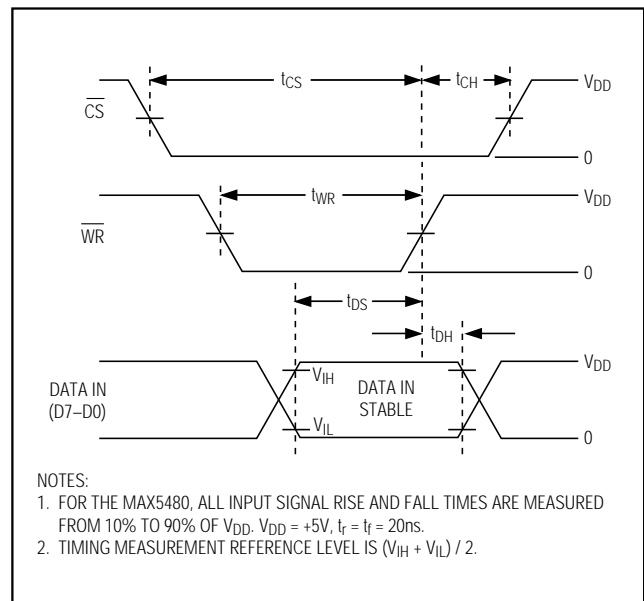


Figure 3. MAX5480 Functional Diagram



NOTES:
 1. FOR THE MAX5480, ALL INPUT SIGNAL RISE AND FALL TIMES ARE MEASURED FROM 10% TO 90% OF V_{DD} . $V_{DD} = +5V$, $t_r = t_f = 20ns$.
 2. TIMING MEASUREMENT REFERENCE LEVEL IS $(V_{IH} + V_{IL}) / 2$.

Figure 4. Write-Cycle Timing Diagram

8-Bit Parallel DAC in QSOP-16 Package

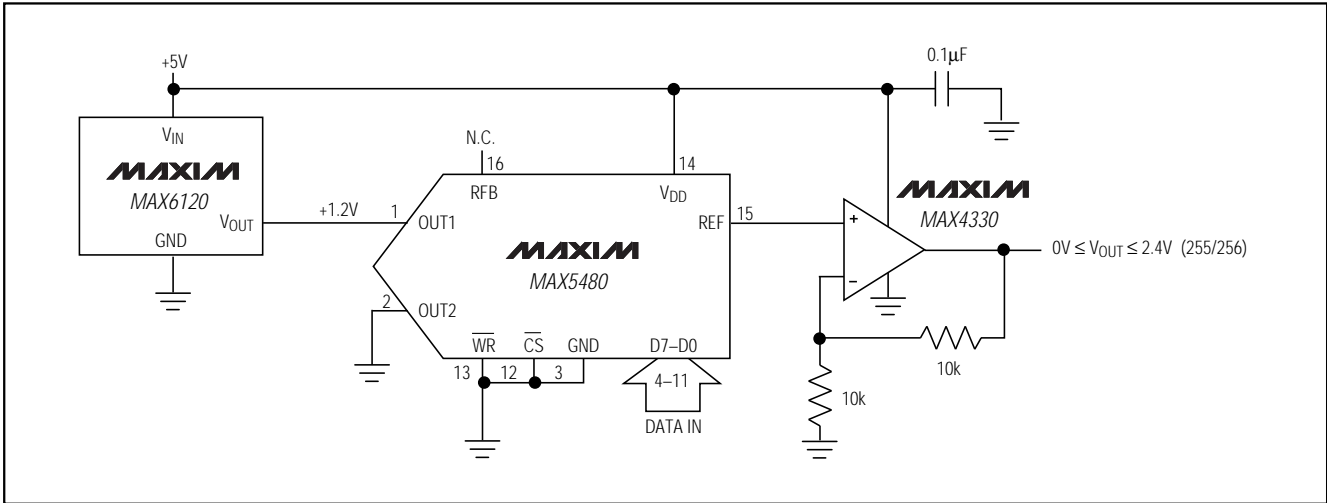


Figure 5. Single-Supply Voltage-Output Mode (Buffered)

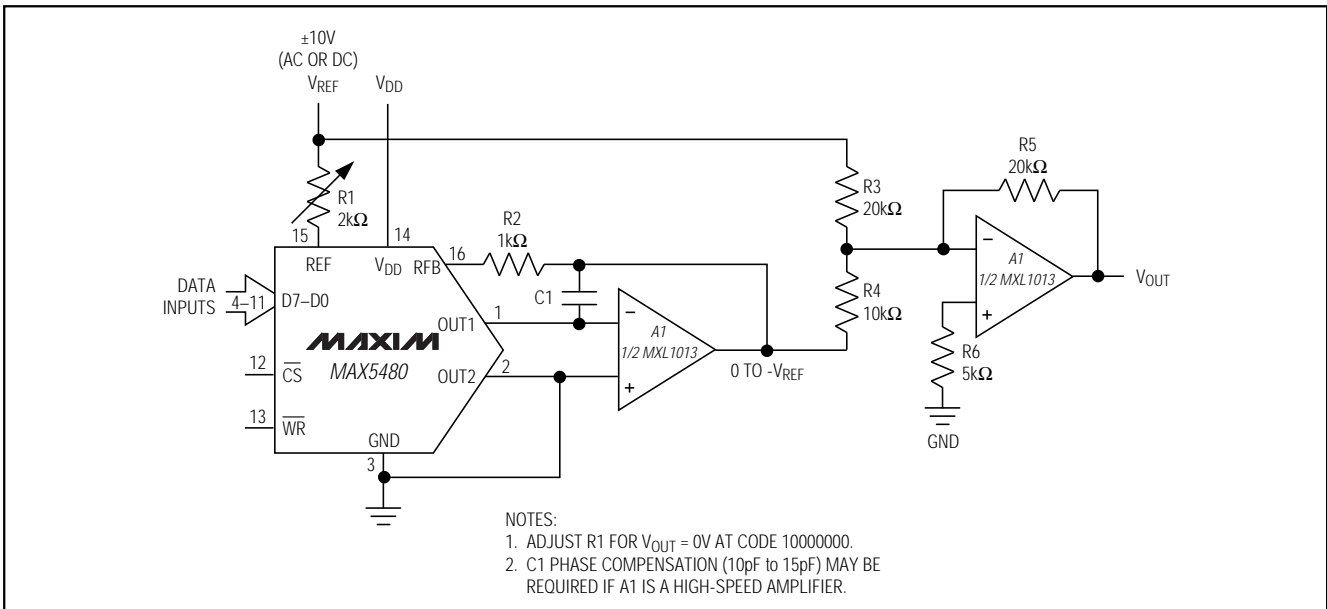


Figure 6. Bipolar (Four-Quadrant) Operation

Maxim cannot assume responsibility for use of any circuitry other than circuitry entirely embodied in a Maxim product. No circuit patent licenses are implied. Maxim reserves the right to change the circuitry and specifications without notice at any time.

6 Maxim Integrated Products, 120 San Gabriel Drive, Sunnyvale, CA 94086 408-737-7600