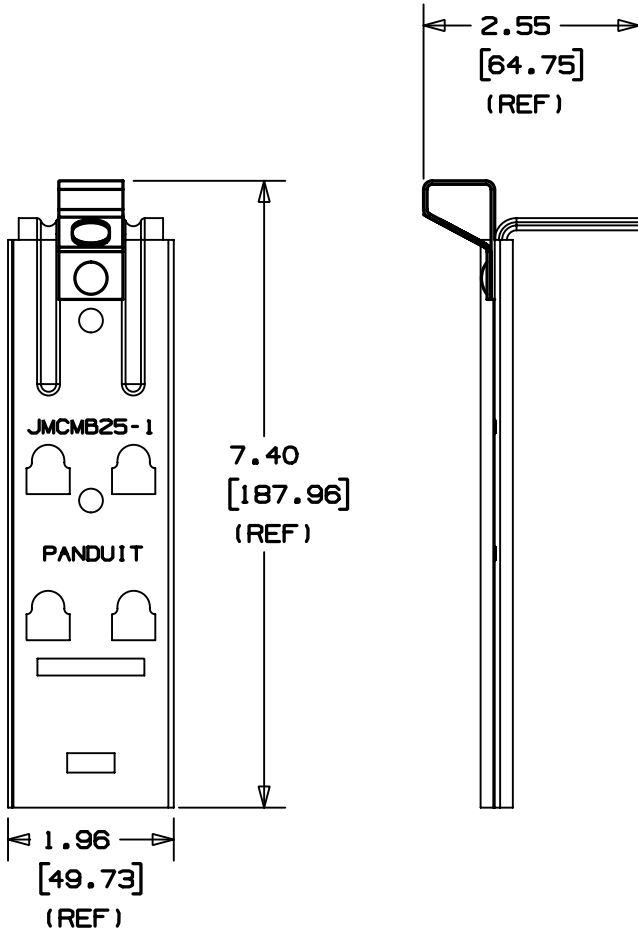
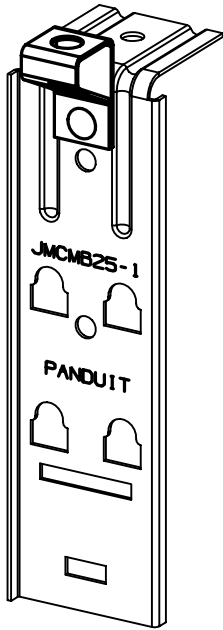


THIS COPY IS PROVIDED ON A RESTRICTED BASIS AND IS NOT TO BE USED IN ANY WAY DETRIMENTAL TO THE INTERESTS OF PANDUIT CORP.

PANDUIT PART NO.	PRODUCT WORKS WITH PANDUIT PART NUMBERS:	APPLICATION SURFACE:	WEIGHT lbs / 10 (g) / pcs.
JMTRB38-1--	JMJH2 JMOD CABLE SUPPORT JM CB JMOD CHAINING BRACKET	1/4" or 3/8" THREADED ROD	2.57 (1166)



NOTES:

- SEE CURRENT PRICE SHEET FOR PART NUMBER DESIGNATION, PACKAGE SIZE OPTIONS AND COLOR.
- TWO NUTS APPROPRIATE FOR THE THREADED ROD USED ARE REQUIRED TO COMPLETE A RIGID INSTALLATION.
- ASSEMBLY COMPONENT MATERIALS:
 - A. PRE-GLAVANIZED STEEL (JMCM25-1)
 - B. ZINC PLATED STEEL (RIVET)
 - C. SPRING STEEL (THREADED ROD BRACKET)
- RATED STATIC LOAD: 180 lbs. (81.65kg)
- JMTRB38-1 WILL ACCEPT TWO MJH2 J HOOK PRODUCTS.

DIMENSIONS IN BRACKETS ARE METRIC [mm]	
CAD FILENAME/LAYERS G02672DP_PS_JMTRB381_00	
PANDUIT CORP. TINLEY PARK, ILLINOIS	
JMOD THREADED ROD BRACKET ASSEMBLY (JMTRB38-1--)	
UNLESS OTHERWISE SPECIFIED, DIMENSIONAL TOLERANCES ARE: (.X) ±0.05 (1.3) (.XXX) ±0.010 (0.25) (.XX) ±0.02 (0.5) ANGLES ± 5°	UNLESS OTHERWISE SPECIFIED, ALL DIMENSIONS ARE GIVEN IN INCHES, THIRD ANGLE PROJECTION.
DRAWN BY JAD	MAT'L: NONE
DATE 3/7/03	SEE NOTE 3
DRW'G NO. GB2672DP	DWG SIZE A

REV	DATE	BY	CHK	DESCRIPTION	ECN	R	CUST	SUP
R	3/7/03	JAD		INITIAL RELEASE	68272ZDP	R		

Mouser Electronics

Authorized Distributor

Click to View Pricing, Inventory, Delivery & Lifecycle Information:

Panduit:

[JMTRB38-1-X](#) [JMTRB38-3-X](#)