

FIGURE 1

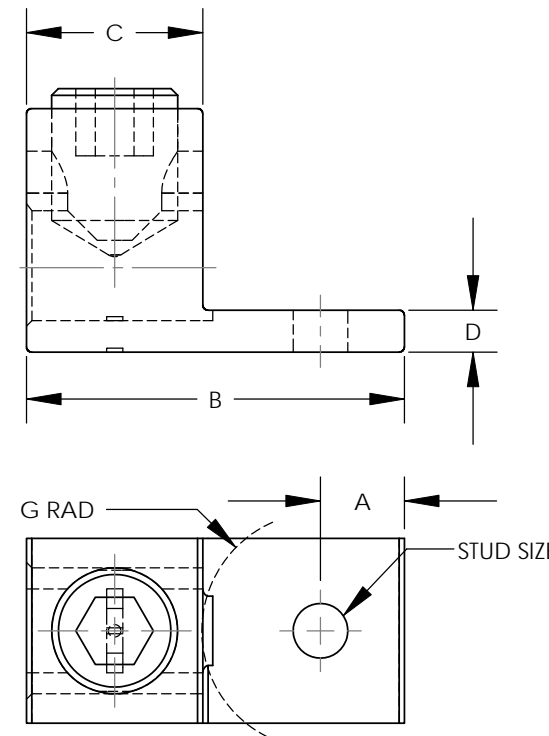


FIGURE 2

NOTES:

1. MATERIAL:
BODY - ALUMINUM, TIN PLATED
SCREW - ALUMINUM, TIN PLATED
2. UL LISTED & CSA CERTIFIED FOR USE UP TO 600V & TEMPERATURE RATED 90 °C (AL9CU)
NOTE: LAMA300-56-QY, LAMA600S-38-6Y, & LAMA1000-58-6Y ARE cULus.
3. DUAL RATED FOR USE WITH COPPER OR ALUMINUM STRANDED CODE CONDUCTOR
4. THESE PARTS ARE RoHS COMPLIANT
5. USE OF OXIDE INHIBITING JOINT COMPOUND LIKE PANDUIT CMP-100 RECOMMENDED FOR PAD TO PAD AND CONDUCTOR SURFACES
6. SEE PACKAGING LABEL FOR TIGHTENING TORQUE INFORMATION
7. PKG QTY:
Q = 25
6 = 6



PART NUMBER	FIG.	WIRE RANGE COPPER/ALUMINUM	WIRE STRIP LENGTH IN[mm]	STUD SIZE IN	DIMENSIONS - IN [mm]							HEX KEY*
					A	B	C	D	E	F	G	
LAMA300-56-QY	1	6 AWG - 300kcmil	1.00 [25.4]	5/16	.45 [11.4]	2.00 [50.8]	1.00 [25.4]	.25 [6.4]	1.00 [25.4]	1.13 [28.7]	.55 [14.0]	5/16
LAMA350-38-QY	1	6 AWG - 350kcmil	1.13 [28.6]	3/8	.50 [12.7]	2.25 [57.3]	1.13 [28.6]	.25 [6.4]	1.13 [28.6]	1.25 [31.7]	.62 [15.8]	5/16
LAMA500-38-6Y	1	4 AWG - 500kcmil	1.22 [31.0]	3/8	.88 [22.2]	2.81 [71.5]	1.22 [31.0]	.31 [7.9]	1.50 [38.0]	1.56 [39.7]	.71 [18.0]	1/2
LAMA600-38-6Y	1	2 AWG - 600kcmil	1.38 [35.1]	3/8	.63 [15.9]	3.18 [80.9]	1.38 [35.1]	.44 [11.1]	1.60 [40.6]	1.57 [39.8]	1.17 [29.7]	1/2
LAMA600S-38-6Y	2	4 AWG - 600kcmil	1.31 [33.3]	3/8	.63 [16.0]	2.81 [71.4]	1.31 [33.3]	.31 [7.9]	1.38 [35.1]	1.81 [46.0]	.88 [22.4]	3/8
LAMA1000-58-6Y	1	500kcmil - 1000kcmil	1.63 [41.3]	5/8	.81 [20.6]	3.50 [88.9]	1.63 [41.3]	.50 [12.7]	1.75 [44.5]	1.94 [49.2]	1.06 [27.0]	3/8

* HEX SIZE MAY DIFFER FROM CHART. DIFFERENCE IN SIZE WILL NOT AFFECT FIT, FORM, OR FUNCTION OF PART

REV	DATE	BY	CHK	DESCRIPTION	ECN	-R	SUP
04	9/10	JHNU	JHNU	J. REMOVED LAMA800-58-6Y FROM DRAWING I. REVISED DIMENSIONS FOR LAMA300-56-QY H. REVISED DIMENSIONS FOR LAMA600S-38-6Y G. REVISED DIMENSIONS FOR LAMA1000-58-6Y F. REVISED NOTES	10N006AS-NC	FLD	FLD
03	7/10	JHNU	JHNU	E. REVISED DWG NUMBER: 10N006AS-NC WAS C41567 D. REVISED LAMA350-38-QY DIMS: WIRE STRIP LENGTH WAS 1.12, G WAS .63, HEX KEY WAS 3/8 C. REVISED LAMA500-38-6Y DIMS: WIRE STRIP LENGTH WAS 1.25, A WAS .62, B WAS 2.75, C WAS 1.25 E WAS 1.38, F WAS 1.50, G WAS .88 B. REVISED LAMA600-38-6Y DIMS: WIRE STRIP LENGTH WAS 1.25, A WAS .62, D WAS .31, E WAS 1.38, F WAS 1.50, G WAS .88 A. REMOVED TORQUE COLUMN FROM TABLE	10N006AS-NC	FLD	FLD
02	7/07	JHNU	JHNU	REMOVED 'MADE IN USA' NOTE; REMOVED RoHS NOTE CONVERTED DRAWING TO SOLIDWORKS			
01	3/06	JHNU	LEM	REVISED RoHS NOTE	PC00334		
00	2/06	JHNU	LEM	DRAWING RELEASED - RoHS COMPLIANT	PC00299		

10N006AS-NC/00B

PANDUIT CORP. TINLEY PARK, ILLINOIS

**LAMA SERIES 300kcmil THRU 1000kcmil
ALUMINUM MECHANICAL LUGS
CUSTOMER DRAWING**

**UNLESS OTHERWISE SPECIFIED
DIMENSIONAL TOLERANCES ARE:**
(.X) ± ... (.XXX) ± ...
(.XX) ± ... ANGLES ± ...

**UNLESS OTHERWISE SPECIFIED,
ALL DIMENSIONS ARE GIVEN IN
INCHES, THIRD ANGLE PROJECTION**

SCALE NONE

DRAWN BY JHNU MAT'L: SEE NOTES

DATE 2/06

DRAWING NO / CAD FILE 10N006AS-NC DWG B SIZE

Mouser Electronics

Authorized Distributor

Click to View Pricing, Inventory, Delivery & Lifecycle Information:

[Panduit:](#)

[LAMA500-38-6Y](#) [LAMA600-38-6Y](#) [LAMA300-56-QY](#) [LAMA600S-38-6Y](#) [LAMA350-38-QY](#) [LAMA1000-58-6Y](#)