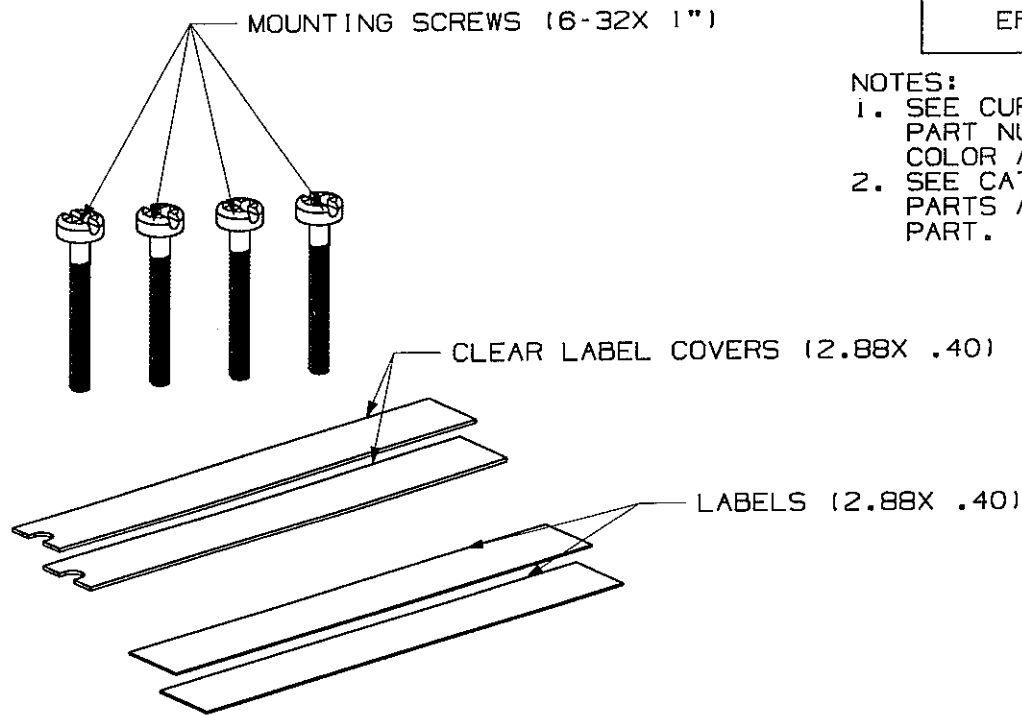



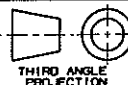
THIS COPY IS PROVIDED ON A RESTRICTED BASIS AND IS NOT TO BE USED IN ANY WAY DETRIMENTAL TO THE INTERESTS OF PANDUIT CORP.

PANDUIT P/N	WEIGHT
EFPK102GY	.30 LB/10 PCS (136.1 g/10 PCS)



NOTES:

1. SEE CURRENT CATALOG FOR ADDITIONAL PART NUMBER SUFFIXES TO INDICATE COLOR AND OR PACKAGE QUANTITY.
2. SEE CATALOG FOR COMPLETE LIST OF PARTS APPLICABLE FOR USE WITH THIS PART.

										DRAWING FILENAME M024791W_DC233_00A.PRT		SIZE A			
										NETWORK SYSTEMS			DOUBLE GANG FACEPLATE LABEL KIT		
										MAY 26 2006			CUSTOMER DRAWING		
										ENGINEERING DEPT			 PANDUIT TM CORP. TINLEY PARK, ILL 60477		
										 THIRD ANGLE PROJECTION			ALL DIMENSIONS ARE GIVEN IN INCHES, UNLESS OTHERWISE SPECIFIED. DIMENSIONAL TOLERANCES ARE: (.X) ± (.XXX) ± .01(.3) (.XX) ± .03(.8) ANGLES ±		
										DRAWN BY JsP			PART NO. EFPK102GY		
										DATE 4-19-06			DRAWING NO. 02479-233		
REV	DATE	BY	CHK	DESCRIPTION	ECN	R	CUST	SUP	OTH						
R	4-19-06	JsP	<i>[Signature]</i>	RELEASED TO PRODUCTION	02479-233										

Mouser Electronics

Authorized Distributor

Click to View Pricing, Inventory, Delivery & Lifecycle Information:

[Panduit:](#)

[EFPK102G-XY](#)