

THIS COPY IS PROVIDED ON A RESTRICTED BASIS AND IS NOT TO BE USED IN ANY WAY DETRIMENTAL TO THE INTERESTS OF PANDUIT CORP.

PANDUIT PART NUMBER	STUD SIZE	DIMENSIONS in.				
		A ±.03	W ±.01	C ±.015	M ±.03	H ±.01
PV14-6FX	#6	.89 (22.61)	.28 (7.11)	.16 (4.06)	.75 (19.05)	.15 (3.81)
PV14-8FX	#8	.96 (24.38)	.31 (7.87)	.20 (5.08)	.79 (20.07)	.17 (4.32)
PV14-10FX	#10	.97 (24.64)	.34 (8.64)	.22 (5.59)	.80 (20.32)	.20 (5.08)

NOTES:

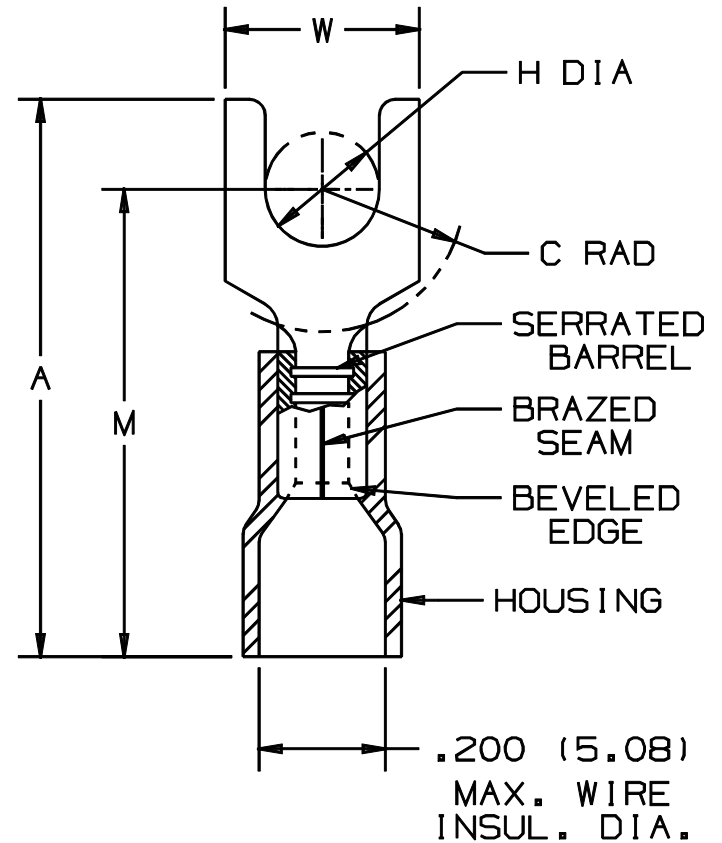
- UL LISTED & CSA CERTIFIED FOR
 - A. 600 V. MAX VOLTAGE RATING (1000 V. MAX IN SIGNS, FIXTURES AND LUMINAIRES).
 - B. 18-14 AWG SOLID OR STRANDED COPPER WIRE & 221°F (105°C) MAX TEMP RATING, WITH THE CT-500, CT-550 CT-1551, CT-1550 INSTALLATION TOOLS.
 - C. 16-14 AWG SOLID OR STRANDED COPPER WIRE & 167°F (75°C) MAX TEMP RATING WITH THE CT-100 INSTALLATION TOOLS.
- MATERIAL:
 - A. STAMPING - .03 (.08) THK COPPER, TIN PLATED
 - B. HOUSING - VINYL, BLUE
- STRIP LENGTH 5/16 ^{+1/32} ₀
- PACKAGE QTY:
 - C=100
 - M=1000
- DIMENSIONS IN BRACKETS ARE IN MILLIMETERS.



LISTED
587H
E52164



CERTIFIED
LR31212



A41258_06

06	1/01	RM		FILESPEC WAS N41258AA_PCD_05				<p>TINLEY PARK, ILLINOIS</p> <p>#16-14 BARREL VINYL INSULATED FORK, .200 (5.08) MAX WIRE INSUL DIA.</p>
05		JKD		ADDED CT-1551 & CT-1550 TOOLS	07634			
4	9-94	MS	RLS	TEMP. RATING (221°F) WAS 212°F	02482	LA	TM	
3	9-94	MS	RS	REVISED DIMENSIONS AND NOTES	02476	02476	LA	
REV	DATE	BY	CHK	DESCRIPTION	ECN	CUST	PM	DRAWN BY DAW
								Ck'D RLS
								SCALE NONE
								DRAWING NO. A41258

Mouser Electronics

Authorized Distributor

Click to View Pricing, Inventory, Delivery & Lifecycle Information:

[Panduit:](#)

[PV14-8FX-M](#) [PV14-6FX-M](#) [PV14-10FX-M](#) [PV14-10FX-C](#) [PV14-6FX-C](#) [PV14-8FX-C](#)