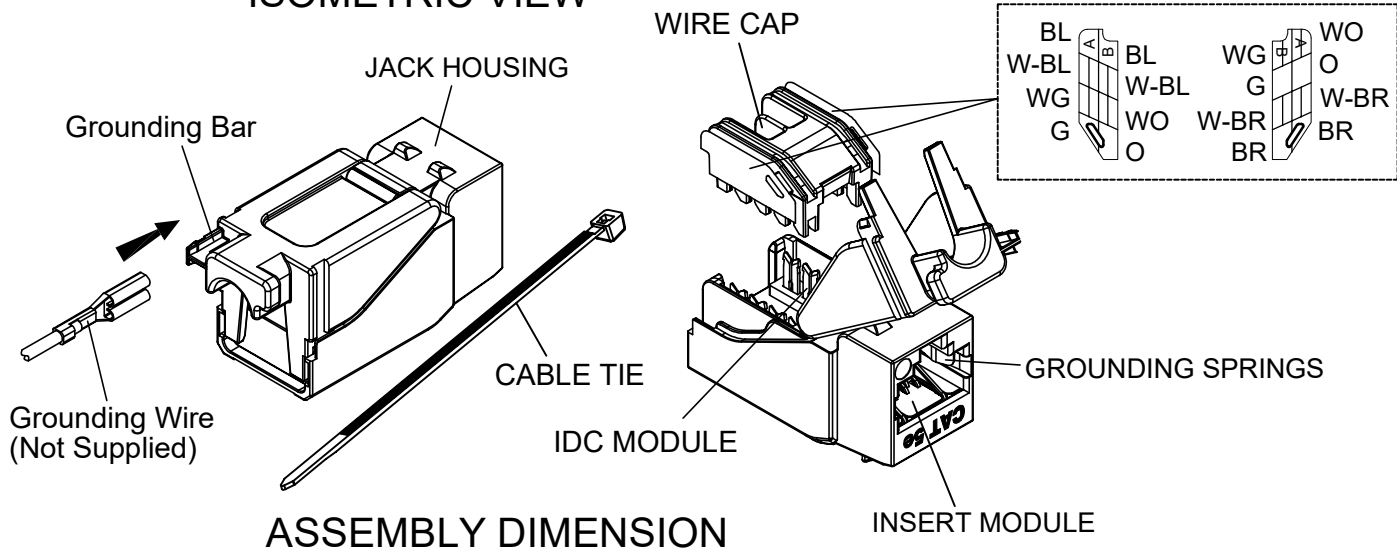
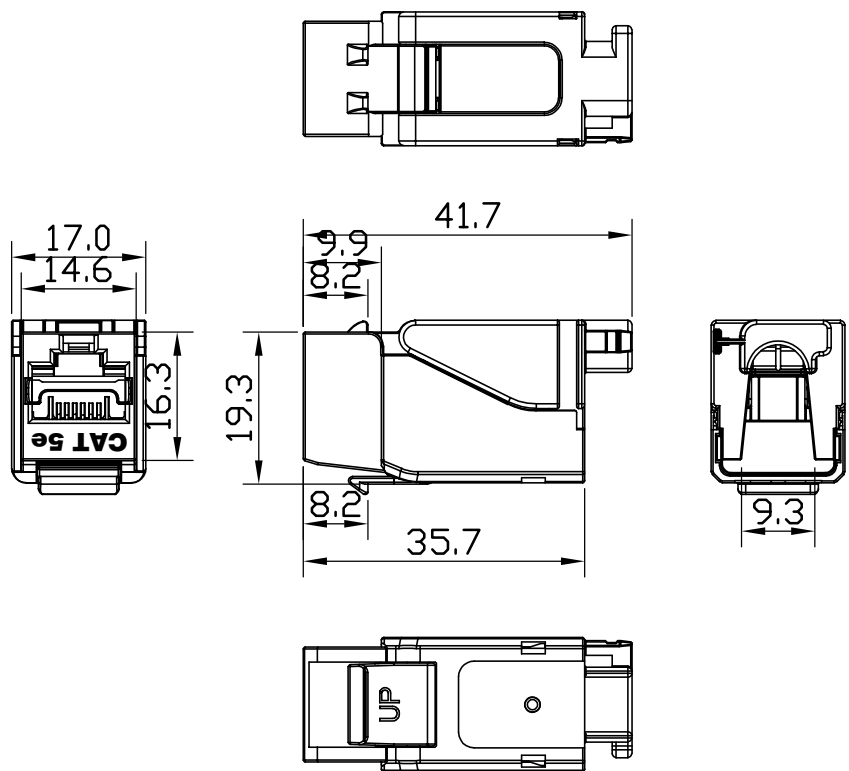


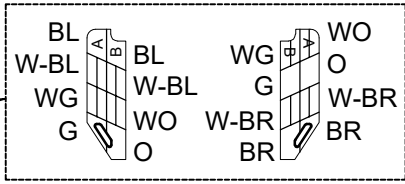
# ISOMETRIC VIEW



# ASSEMBLY DIMENSION



# WIRING LABEL



| COMPONENTS |                   |      |
|------------|-------------------|------|
| ITEM       | DISCRIPTION       | Q'TY |
| 7          | CABLE TIE         | 1    |
| 6          | WIRING LABEL      | 2    |
| 5          | GROUNDING SPRINGS | 1    |
| 4          | IDC MODULE        | 1    |
| 3          | WIRE CAP          | 1    |
| 2          | INSERT MODULE     | 1    |
| 1          | JACK HOUSING      | 1    |

| DATE     | REV | ECN      | APP'D. BY |
|----------|-----|----------|-----------|
| 03/08/18 | A0  | Released | TM        |

**TRANSMISSION PERFORMANCE**  
 Meet all requirements specified in connecting hardware requirement of ANSI/TIA-568-C.2, Category 5e

**ELECTRICAL**  
 Electrical Insulation Resistance : 500 MΩ min. @ 100V d.c  
 Dielectric Withstanding Voltage : 1000V d.c. or a.c. Peak Contact to Contact @ 60Hz for 1 minute, 1500V d.c. or a.c. Peak Contact to Panel @ 60Hz for 1 minute

**MECHANICAL**  
 Insertion / Extraction Life : 750 Cycles Minimum  
 IDC Wire Gauge : 22 ~ 24 AWG

**PHYSICAL**  
 Housing : Zinc-alloy fully shielded  
 Spring Wire : Phosphor Bronze Alloy Plated With 50 micro-inch of Gold  
 IDC : Phosphor Bronze Alloy With 100 micro-inch 100% Sn Alloy

SS-82100-005  
**PART NUMBER**

THIRD ANGLE PROJECTION  
  
 DO NOT SCALE DRAWING  
 DRAWING IS SUBJECT TO CHANGE WITHOUT NOTICE  
 DIMENSIONS: METRIC  
 UNLESS OTHERWISE SPECIFIED TOLERANCES ARE ±0.2 ANGLES ARE ± 1°  
 SHEET NO. 1 OF 1



206 Van Vorst Street  
 Jersey City, NJ 07302  
 +1 201 432 0463  
<http://www.belfuse.com>

**CAT 5e SHIELDED TOOL-LESS KEYSTONE JACK**

|                  |               |
|------------------|---------------|
| DRN BY: DG       | DATE 03/06/18 |
| APPD BY: TM      | DATE 03/08/18 |
| DWG NO. CT820022 | REV. A0       |

THIS DRAWING AND THE SUBJECT MATTER SHOWN THEREON ARE CONFIDENTIAL AND THE PROPRIETARY PROPERTY OF BEL FUSE, INC. AND SHALL NOT BE REPRODUCED, COPIED, OR USED IN ANY MANNER WITHOUT PRIOR WRITTEN CONSENT OF BEL FUSE, INC.

# Mouser Electronics

Authorized Distributor

Click to View Pricing, Inventory, Delivery & Lifecycle Information:

Bel:

[SS-82100-005](#)