

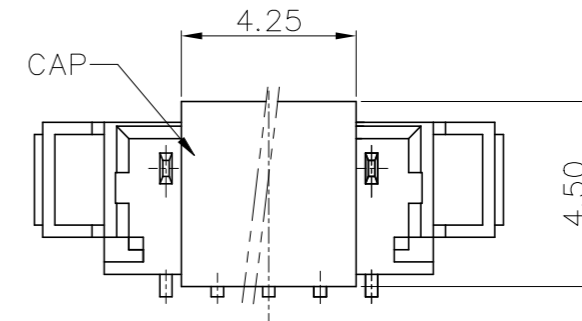
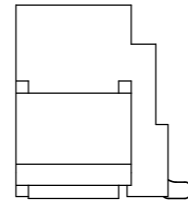
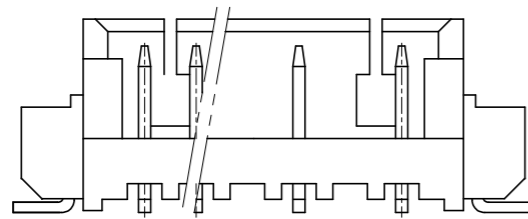
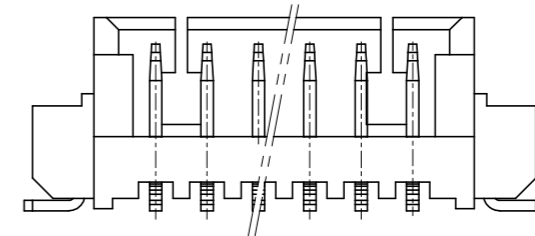
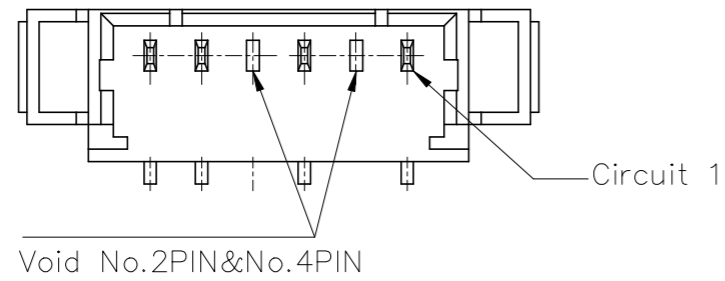
NOTES

- SPECIFICATIONS  
 Current Rating: 1A AC,DC  
 Voltage Rating: 125V AC,DC  
 Temperature Range: -40°C ~ +105°C  
 Contact Resistance: 20mΩ Max.  
 Insulation Resistance: 100MΩ Min.  
 Withstanding Voltage: 500V AC/minute
  - Material & finish:  
 Housing: Thermoplastic, UL94V-0  
 Contact and metal hold-down: Phosphor Bronze  
 Plating of contact area: Matte Tin or gold plating over Nickel  
 Plating of solder area: Tin plated over Nickel  
 Plating of hold-down: Matte Tin over Nickel
  - Crimping application hand tool P/N: 10118656-1000
  - Ordering Information & Dimensions:  
 10114828- X X X XX X LF  
 Material \_\_\_\_\_  
 1: Natural LCP  
 2: Black LCP  
 VOID: NORMAL  
 1: SEE SHEET 2(VOID 2&4 PIN)  
 Pin counts from 02~15  
 Packaging  
 1: Tape & Reel  
 2: Tape & Reel+ Cap(sheet 2)
- Plating \_\_\_\_\_  
 0: 120u" Matte Tin  
 1: Gold Flash  
 3: Gold 30u"

Part No.	Dimensions					
	POS	A	B	C	D	E
10114828-xxx02LF	2	4.25	1.25±0.10	4.94	3.05	7.25
10114828-xxx03LF	3	5.50	2.50±0.10	6.19	4.30	8.50
10114828-xxx04LF	4	6.75	3.75±0.10	7.44	5.55	9.75
10114828-xxx05LF	5	8.00	5.00±0.10	8.69	6.80	11.00
10114828-xxx06LF	6	9.25	6.25±0.15	9.94	8.05	12.25
10114828-xxx07LF	7	10.50	7.50±0.15	11.19	9.30	13.50
10114828-xxx08LF	8	11.75	8.75±0.15	12.44	10.55	14.75
10114828-xxx09LF	9	13.00	10.00±0.15	13.69	11.80	16.00
10114828-xxx10LF	10	14.25	11.25±0.20	14.94	13.05	17.25
10114828-xxx11LF	11	15.50	12.50±0.20	16.19	14.30	18.50
10114828-xxx12LF	12	16.75	13.75±0.20	17.44	15.55	19.75
10114828-xxx13LF	13	18.00	15.00±0.20	18.69	16.80	21.00
10114828-xxx14LF	14	19.25	16.25±0.20	19.94	18.05	22.25
10114828-xxx15LF	15	20.50	17.50±0.20	21.19	19.30	23.50

mat'l. code	surface ISO 1302	tolerance ISO 406/ISO 1101	projection	product family
ltr	ecn no	dr	date	title
L	ELX-N-47289	JH	2023/01/17	WTB 1.25MM WAFER 180° SMT
	angles	linear	mm	
	0°±2'	.0±.5	scale 1:1	
		.00±.25		
		.000±.010		
dr	Jeffrey.Huang	-	Amphenol FCi	dwg no
enr	Jeffrey.Huang	-		sheet1 of 2
chr	TIM YAO	-		size
appd	TIM YAO	-		A4
sheet index	revision	L		type
	sheet	1~2		Product Customer Drawing

ITEM	MATERIAL	DESCRIPTION
1	THERMOPLASTIC HIGH TEMPERATURE	HOUSING
2	COPPER ALLOY	TERMINAL
3	COPPER ALLOY	HOLD DOWN



ASSEMBLY CAP

10114828-XXXXX1LF

mat'l. code				surface ISO 1302 <input checked="" type="checkbox"/>		tolerance ISO 406/ISO 1101		projection 		product family -			
ltr				ecn no		dr		date		tolerances unless otherwise specified		title	
L				ELX-N-47289		JH		2023/01/17		.0±.5		WTB 1.25MM WAFER 180° SMT	
				angles		linear				mm			
				0°±2'						scale 1:1			
				dr		Jeffrey.Huang		-				dwg no	
				enr		Jeffrey.Huang		-				sheet2 of 2	
				chr		TIM YAO		-				10114828	
				appd		TIM YAO		-				size A4	
sheet index		revision sheet		L		1~2						type	
												Product Customer Drawing	