



RevNo	Revision note	Date	Signature	Checked

A

B

C

D

E

F

A

B

C

D

E

F

1

2

3

4

5

6

7

8

1

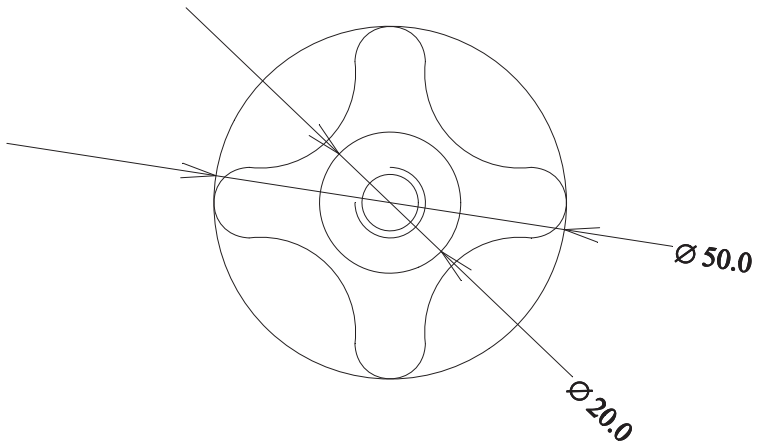
2

3

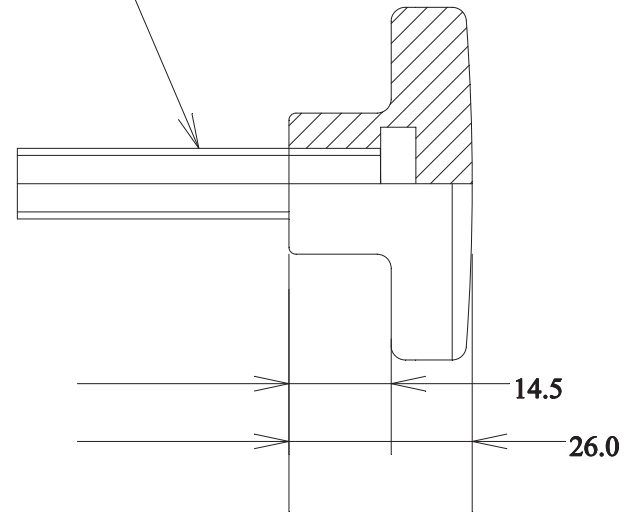
6

7

8



M8 x 25mm Long  
S/S



Itemref	Quantity	Title	Article No./Reference
		<b>Star Knob - Polypropylene REV.2</b>	
Designed by	Checked by	Approved by - date	Filename
		<b>RS 7027743</b>	
		Date	Scale
		06/04/10	1/1
		Edition	Sheet
		1	1/1