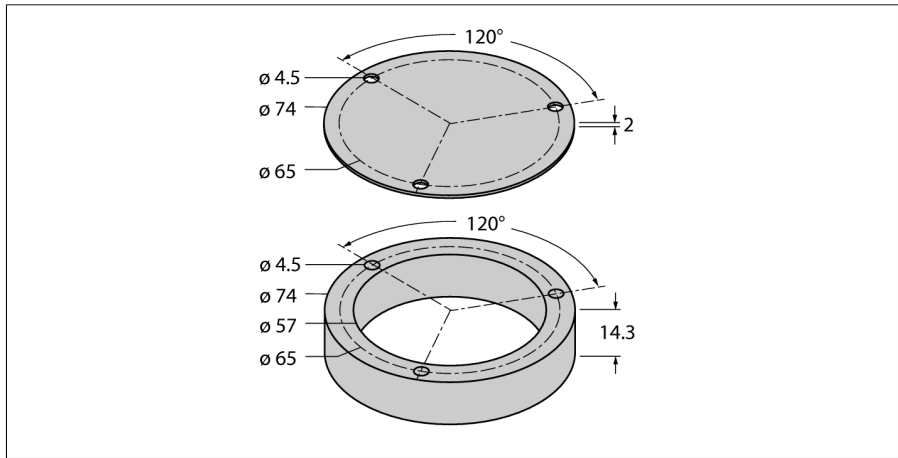


**Aluminum Protecting Ring and Shielding Plate  
For Inductive Encoders Ri-QR24  
M2-QR24**



- Positioning element
- Hollow shaft, internal diameter 6 mm
- Incl. mounting option for shaft adapter

Type designation	M2-QR24
Ident no.	1590917
Housing material	Aluminium