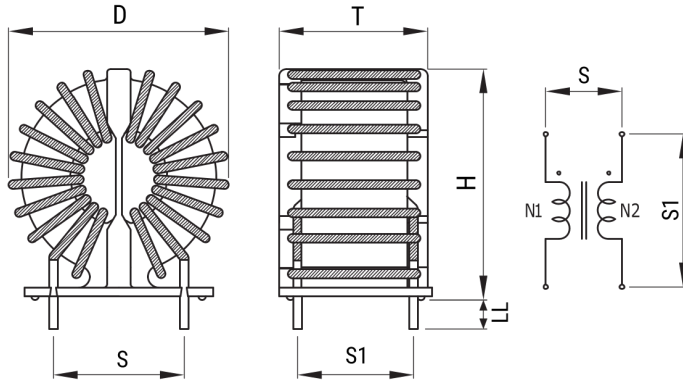


## SC-02-100J

Aliases (UALSC02100J000)

KEMET, SC-J, AC Line Filters, Common Mode, 10 mH



Click [here](#) for the 3D model.

### Dimensions

D	25mm MAX
T	20mm MAX
H	27mm MAX
LL	5mm +/-2mm
S	10mm NOM
S1	15mm NOM
Wire Size	0.5mm

### Packaging Specifications

Packaging	Tray
Packaging Quantity	400
Component Weight	18 g

### General Information

Series	SC-J
Style	Through-Hole
RoHS	Yes
Notes	Lead Spacing (S/S1) Are For Reference Only.
Miscellaneous	Temperature Rise Maximum: 55 K.
Core	Mn-Zn Ferrite

### Specifications

Voltage AC	250 VAC
Inductance	10 mH (100 kHz)
Current	2 A
Temperature Range	-25/+120°C
DC Resistance	220 mOhms