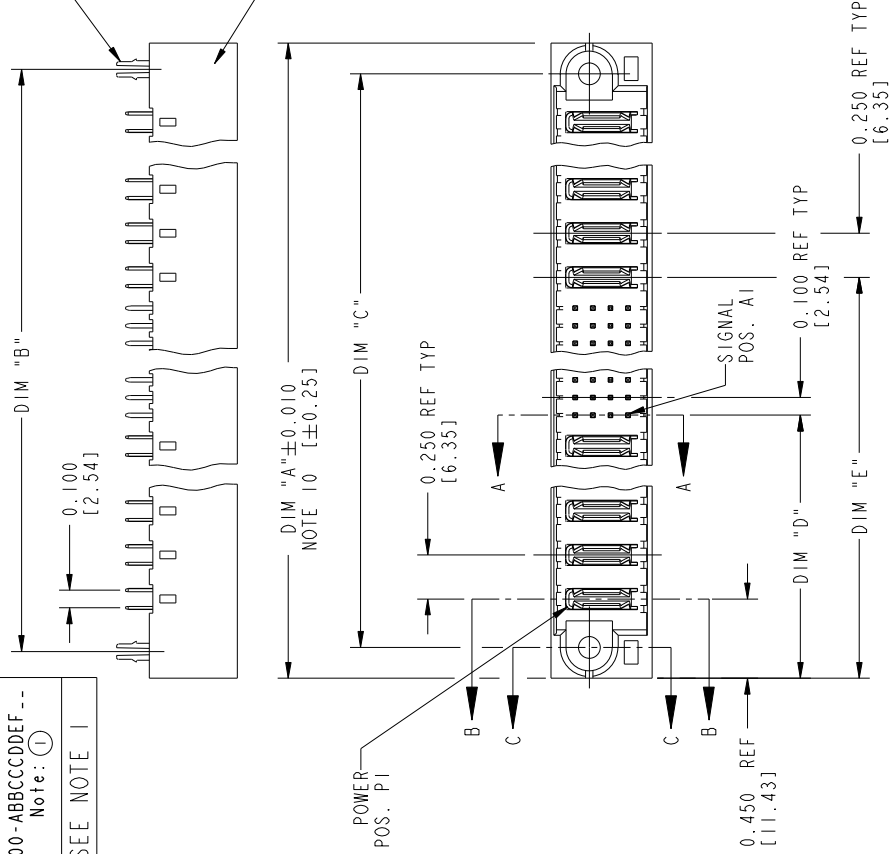


PRODUCT NUMBER  
51700-ABBCCDDEF--  
Note: ①  
SEE NOTE 1

BOARD LOCK 2X  
IF SELECTED  
(SEE NOTE 8)

SEE NOTE 9



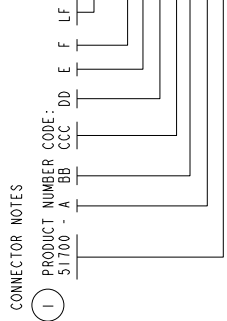
PRODUCT NUMBER  
51700-ABBCCDDEF--  
Note: ①  
SEE NOTE 1

Tous droits strictement réservés. Reproduction ou communication à des tiers interdite sans quelque forme que ce soit sans autorisation écrite du propriétaire.  
Property of FCI. All rights reserved. Reproduction or issue to third parties in any form whatever is not permitted without written authority from the proprietor.



mat'l code		NOTE 2		tolerances unless otherwise specified		CUSTOMER		FCI	
ltr	ecn no.	dr	date						
K	D605-0132	SJ	05/26/05	linear	.XX±.01/0.X±0.3	COPY		www.fciconnect.com	
L	D605-0435	SW	11/03/05		.XX±.005/0.XX±0.13	projection			title VERTICAL HEADER w/ GUIDE PIN POWER / SIGNAL / POWER
M	D605-0485	GuoJM	11/21/05	angles	.XXX±.0020/.XXX±.051				product family PWRBLADE code 213
N	D608-0123	SH	05/19/08	dr	JRW 0°±2°	INCH/MM			size dwg no A 51700 sheet 1 of 3
				enrg	J-ALLISON 10-12-01	scale			
				chr	J-ALLISON 10-12-01				
				appd	J-ALLISON 10-12-01				
sheet index	revision sheet	N	N	N	N	1:1			
		1	2	3					
		Pro/E						cage code 22526	
								4	

PRODUCT NUMBER	51700-ABBCCDDEF--
Note: (1)	
SEE NOTE 1	



- (1) PRODUCT NUMBER CODE:  
51700 - A BB CCC DD E F LF
- (2) HOUSING MATERIAL: UL 94 V-0 GLASS FILLED HIGH TEMP THERMOPLASTIC  
POWER CONTACT MATERIAL: COPPER ALLOY  
SIGNAL CONTACT MATERIAL: COPPER ALLOY

(3) PLATING OPTION:  
SEE PRINT 10064183 FOR PLATING SPEC OF 51700-ABBCCDDEF. 51700-ABBCCDDEF LF.

- (4) LEFT END POWER CONTACTS, 01 TO 20 AVAILABLE.  
MAXIMUM OF 20 POWER CONTACTS PER CONNECTOR.
- (5) SIGNAL CONTACT, 004 TO 148 AVAILABLE.
- (6) RIGHT END POWER CONTACTS, 01 - 20 AVAILABLE.  
MAXIMUM OF 20 POWER CONTACTS PER CONNECTOR.
- (7) TAIL OPTIONS:  
A = 0.135 +0.015/-0.010 [3.43 +0.38/-0.25] SOLDER TO BOARD  
B = 0.165 +0.015/-0.010 [4.19 +0.38/-0.25] SOLDER TO BOARD  
C = 0.165 +0.015/-0.010 [4.19 +0.38/-0.25] PRESS FIT

- (8) RETENTION TO PCB OPTIONS:  
A = BOARD LOCK (REQUIRES 0.098 +0.002/-0.001 [2.49 +0.05/-0.03] THUR HOLE IN PCB).  
RECOMMENDED ON SYMMETRIC CONNECTORS.  
BOARD LOCK TO BE USED IN CONJUNCTION WITH A .092 PCB OR THICKER.  
C = NO RETENTION FEATURE.

(9) MANUFACTURE'S NAME, P/N, AND DATE CODE TO APPEAR ON THIS SURFACE.

(10) THE MAXIMUM OVERALL LENGTH (DIM A) OF A PART IS 8.00 [203.2].

11 PRODUCT SPECIFICATION 6S-12-149.

12 SEE PWRBLADE VERTICAL HEADER SPECIAL WORKSHEET (51696) FOR MATING LENGTH OPTIONS.

(13) DIMENSIONS AND TOLERANCES ARE IN ACCORDANCE WITH ASNE Y14.5m, 1994 UNLESS OTHERWISE SPECIFIED.

PCB NOTES:  
14. ALL DIMENSIONS ARE BASIC UNLESS OTHERWISE SPECIFIED.  
15. ALL THROUGH HOLES ARE LOCATED WITH A TRUE POSITION OF 0.004 [0.101]  
16. ALL HOLE DIAMETERS ARE FINISHED HOLE SIZE  
17. Ø0.098 [2.49] THROUGH HOLES ARE UNPLATED.  
18. Ø0.0453±0.0010 [1.151±0.025] DRILLED HOLES PLATED WITH 0.0003 [0.008] MIN SnPb OVER 0.001 [0.03] TO 0.003 [0.08] Cu PLATING TO ACHIEVE A Ø0.040±0.003 [1.02±0.07] HOLE.  
19. FOR PRESSFIT APPLICATION USE FCI CAM TOOL 430169-XXX.  
20. A∅ SYMBOL WILL BE NEXT TO ANY DIMENSION, VIEW, OR NOTE WHICH HAS BEEN MODIFIED WITH THE CURRENT DRAWING REVISION.

LENGTH FORMULAS (SEE NOTE 10)

DIM	FORMULA
DIM "A"	.250 [6.35] x BB + .100 [2.54] x (CCC/4) + .250 [6.35] x DD + .650 [16.51] (NOTE 10)
DIM "B"	.250 [6.35] x BB + .100 [2.54] x (CCC/4) + .250 [6.35] x DD + .350 [8.89]
DIM "C"	.250 [6.35] x BB + .100 [2.54] x (CCC/4) + .250 [6.35] x DD + .300 [7.62]
DIM "D"	.250 [6.35] x BB + .375 [9.53]
DIM "E"	.250 [6.35] x BB + .100 [2.54] x (CCC/4) + .450 [11.43]
DIM "F"	.250 [6.35] x BB + .100 [2.54] x (CCC/4) + .250 [6.35] x DD + .680 [17.27]
DIM "G"	.250 [6.35] x BB + .225 [5.72]
DIM "H"	.250 [6.35] x BB + .100 [2.54] x (CCC/4) + .250 [6.35]

3

4

1 | 2

Pro/E

3

code code 22526

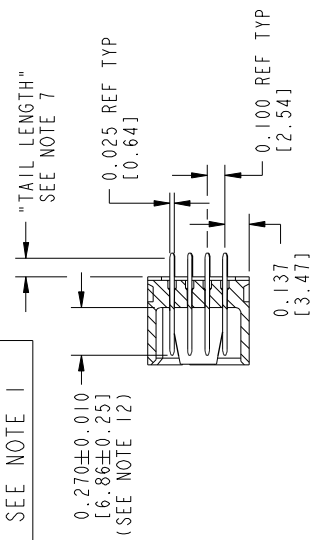
B



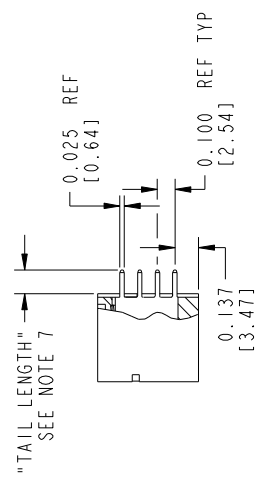
All rights strictly reserved. Reproduction or issue to third parties in any form whatever is not permitted without written authority from the proprietor.

Tous droits strictement reserves. Reproduction ou communication a des tiers interdite sans queique forme que ce soit sans autorisation ecrite du proprietaire.

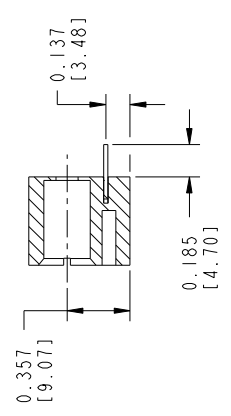
PRODUCT NUMBER  
51700-ABBCCDDEF--  
Note: ①  
SEE NOTE 1



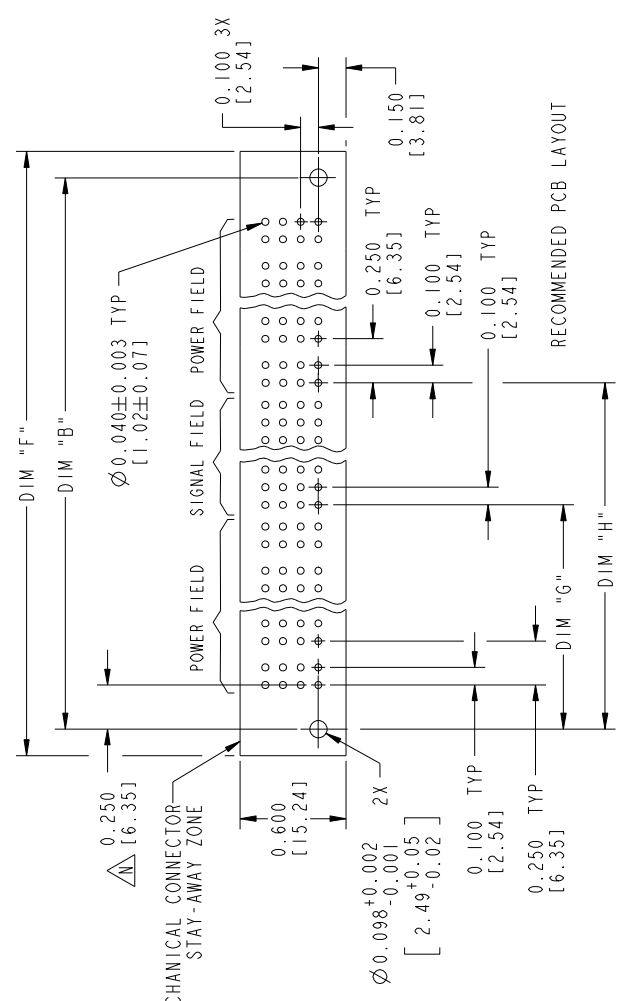
SECTION A-A



SECTION B-B



SECTION C-C



RECOMMENDED PCB LAYOUT

mat'l code		NOTE 2		tolerances unless otherwise specified		CUSTOMER		FCJ		www.fcjconnect.com	
lir	ecn no.	dr	date	linear	.XXX±.01/0.XX±0.3	projection	COPY	title		VERTICAL HEADER w/ GUIDE PIN POWER / SIGNAL / POWER	
N				angles	.XXX±.0020/.XXX±.051	INCH/MM		product family	PWRBLADE		
				dr	0°±2°	scale		dwg no	51700		
				enrg	J-ALLISON 10-12-01			size	2 13		
				chr	J-ALLISON 10-12-01			sheet	3		
				appd	J-ALLISON 10-12-01			code	A		
sheet index	revision	sheet						cage code	22526		
									4		

Pro/E

1 | 2

3 |

B

1 | 2

3 |

4

Tous droits strictement réservés. Reproduction ou communication à des tiers interdite sans quelque forme que ce soit sans autorisation écrite du propriétaire. Propriété de c FCI. Droits de reproduction FCI.



All rights strictly reserved. Reproduction or issue to third parties in any form whatever is not permitted without written authority from the proprietor. Property of FCI. Copyright FCI.