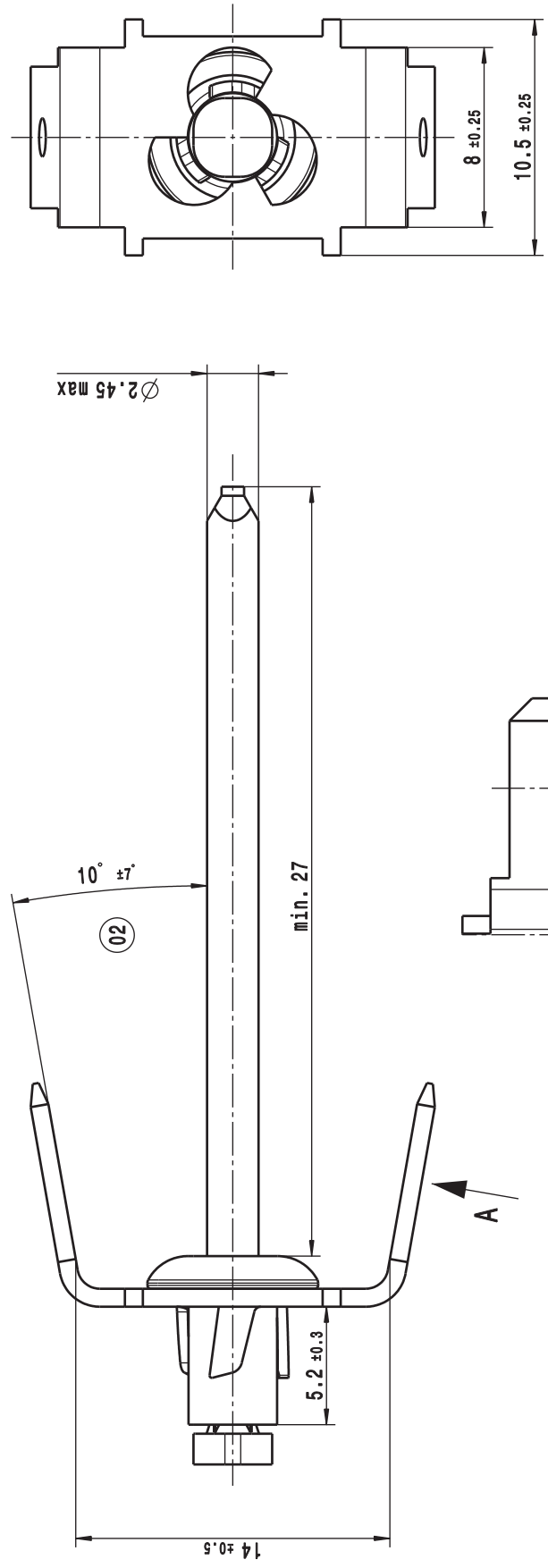


1 2 3 4 5 6 7 8



Isometrische Ansicht  
Maßstab: 2:1

Detail A

Geprüft nach/checked acc. to:  
DIN EN ISO14589/DIN EN ISO14589

Werkstoff/Material:  
Blindnietkörper/body: Kupfer/copper  
Nietdorn/mandrel: Stahl/steel  
Flachstecker/tab: Messing/brass

Oberflächenschutz/Finish:  
Blindnietkörper/body: Blank/blank  
Nietdorn/mandrel: Kupfer/copper  
Flachstecker/tab: Blank/blank

Scherbruchkraft/  
ultimate shear load:  
1910N

Zugbruchkraft/  
ultimate tensile load:  
1910N

Nietlochdurchmesser/  
assembly hole:  
5.15-5.2

Kleamlängenbereich/  
grip range:  
0-2.0

Gewicht gesetzt/  
setting weight:  
2.5g ±10%

Flachstecker DIN 46244 - A6,3 - 0,8 - Ms  
TAB CONFORM TO DIN 46244 - A6,3 - 0,8 - Ms

02	-	Winkel 10° ±7 hinzu		07.09.16	Ha-Sa
REV	NO. OF	DESCRIPTION		REV DATE	BY
<p>CONFIDENTIAL: This document is the property of Tucker GmbH. The contents of this document are confidential and constitute trade secrets proprietary to Tucker GmbH. Neither this document nor its contents shall be disclosed to any unauthorized person, copied or published without Tucker GmbH's prior written consent. Copyright © Stanley Engineered Fastening</p>					
HEAT TREAT:					
FINISH/COATING: siehe Zeichnung / see drawing					
MATERIAL: siehe Zeichnung / see drawing					
TOL ON DIM/ANGLE:					
SUBSTITUTE FOR: GTE302469					
DESIGN BY: TM		DATE: 25.06.2014			
LOCATION : GIE/LIN		REF. : PMC 2/6,3 001			
UNLESS OTHERWISE SPECIFIED DIMENSIONS ARE IN METRIC					
- TOLERANCES TO ISO 2768-MK					
- EDGES TO ISO 13715					
- SURFACES TO EN ISO 1302					
- ALL DIMENSIONS AFTER HARDENING AND COATING					
STANLEY Engineered Fastening		Tucker GmbH Max-Eyth-Str. 1 D-35394 Gießen - www.emhart.eu			
TITLE: PSA53-4005-510-2CCA.065					
SIZE A3		PART NUMBER 100985		DRAWING NUMBER PSA100985	
SCALE 5:1		SHEET 1		CAD SYSTEM CATIA V5	

1 2 3 4 5 6 7 8