

# Slide Potentiometer

## Model PSxxG



### Features:

- With/without dust cover
- Stable sliding force
- 200,000 cycle life
- Metal lever
- RoHS compliant



## Model Styles Available

Dual Gang , 45mm Travel	PS45G
Dual Gang , 60mm Travel	PS60G

## Electrical

Resistance Range, Ohms	10K -1M
Standard Resistance Tolerance	± 20%
Resistance Tapers	A,B,C
Residual Resistance	Less than 1.0 ohms
Input Voltage, Maximum	300Vdc
Power rating, Watts	<b>Linear B taper:</b> 0.25W <b>Other tapers:</b> 0.125W
Dielectric Strength	300Vac, 1 minute
Insulation Resistance, Minimum	10M ohms at 250Vdc/ 1 minute
Sliding Noise	Less than 100mV
Gang Error	±3dB (-40dB to 0dB)

## Mechanical

Static Stop Strength, Minimum	5.0 Kgf/cm
Operating Force	50gf max.

## Durability

Sliding Life	200,000 cycles
--------------	----------------

### General Note

TT Electronics reserves the right to make changes in product specification without notice or liability. All information is subject to TT Electronics' own data and is considered accurate at time of going to print.

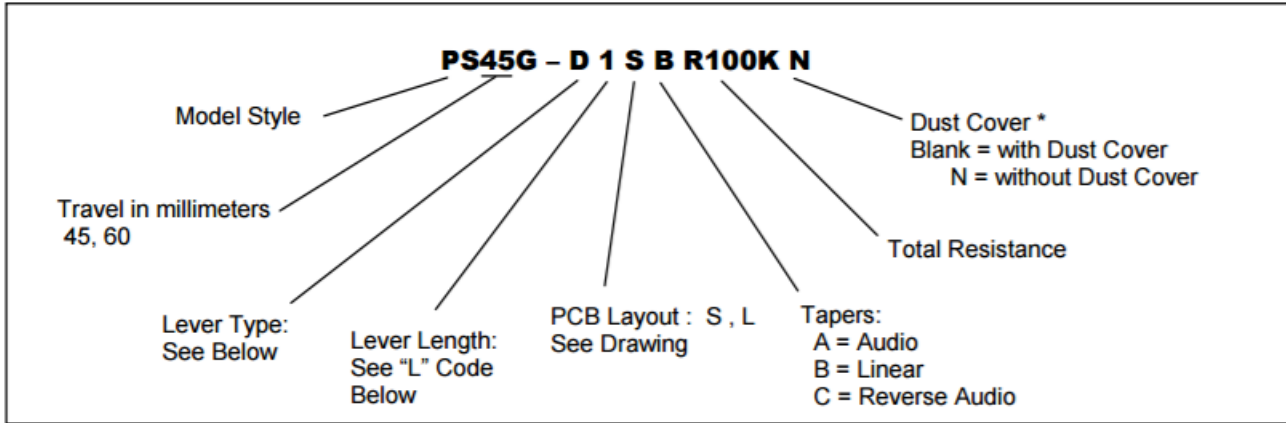
TT Electronics | BI Technologies  
4200 Bonita Place, Fullerton, CA USA 92835 | Ph: +1 714 447 2345  
www.ttelectronics.com | sensors@ttelectronics.com

# Slide Potentiometer

## Model PSxxG



### Ordering



### Standard Resistance Values, ohms

10K	20K	50K	100K	200K	500K	1 MEG
-----	-----	-----	------	------	------	-------

### Lever Types & Length

D-Type						B-Type					C-Type			A-Type										
L	12.5	15	17	20	25	L	8	12.5	13	20	F	10	M	11	12	12	F	11	10	10	L	16	20	25
CODE	1	2	3	4	5	CODE	1	2	3	4	CODE	1	CODE	1	2	3	CODE	1	2	3				

**\* Dust Cover option not offered for levers less than 10 mm in length**

#### General Note

TT Electronics reserves the right to make changes in product specification without notice or liability. All information is subject to TT Electronics' own data and is considered accurate at time of going to print.

TT Electronics | BI Technologies  
4200 Bonita Place, Fullerton, CA USA 92835 | Ph: +1 714 447 2345  
www.ttelectronics.com | sensors@ttelectronics.com

# Slide Potentiometer

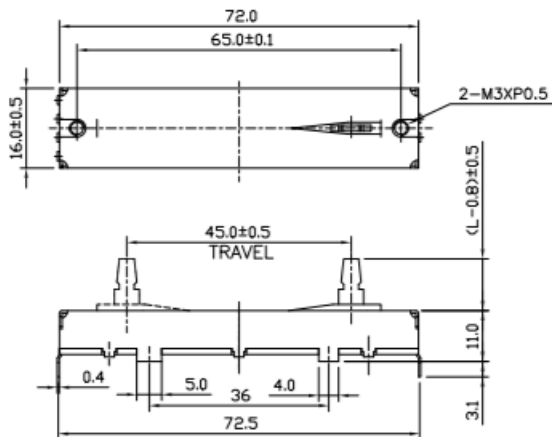
## Model PSxxG



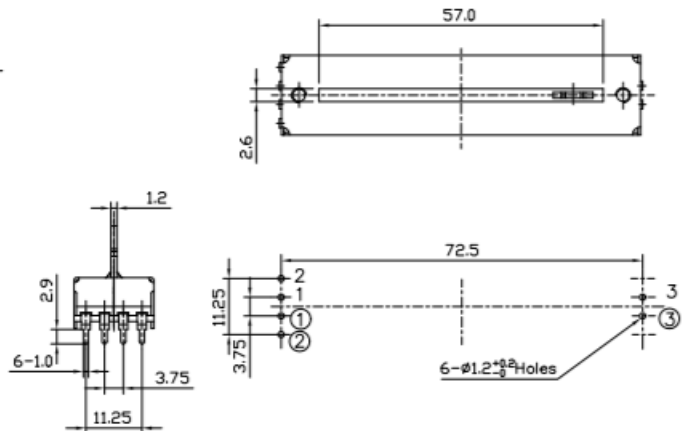
### Outline Drawings

#### PS45G with L type PCB LAYOUT

##### With Dust Cover

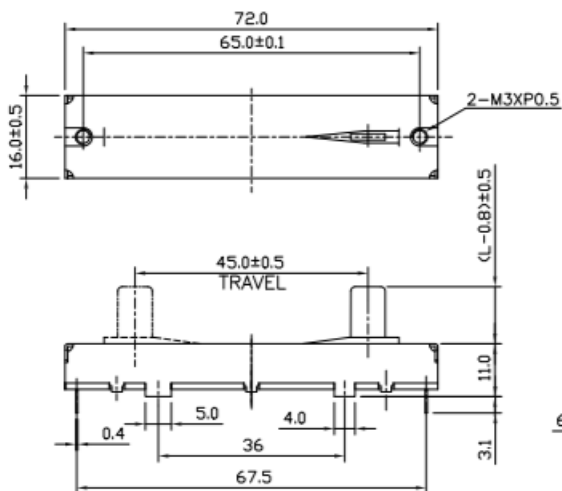


##### Without Dust Cover

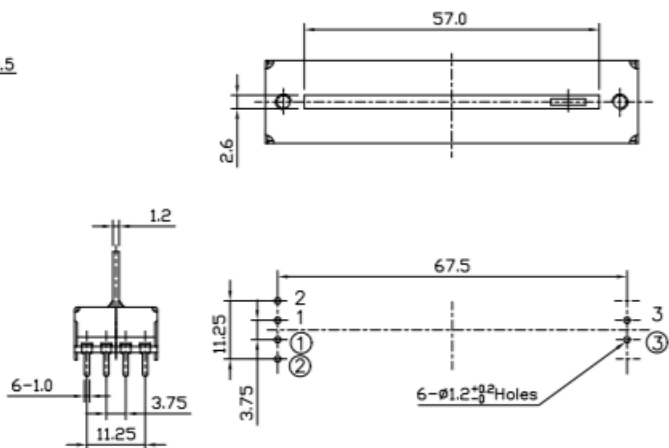


#### PS45G with S type PCS LAYOUT

##### With Dust Cover



##### Without Dust Cover



#### General Note

TT Electronics reserves the right to make changes in product specification without notice or liability. All information is subject to TT Electronics' own data and is considered accurate at time of going to print.

TT Electronics | BI Technologies  
4200 Bonita Place, Fullerton, CA USA 92835 | Ph: +1 714 447 2345  
www.ttelectronics.com | sensors@ttelectronics.com

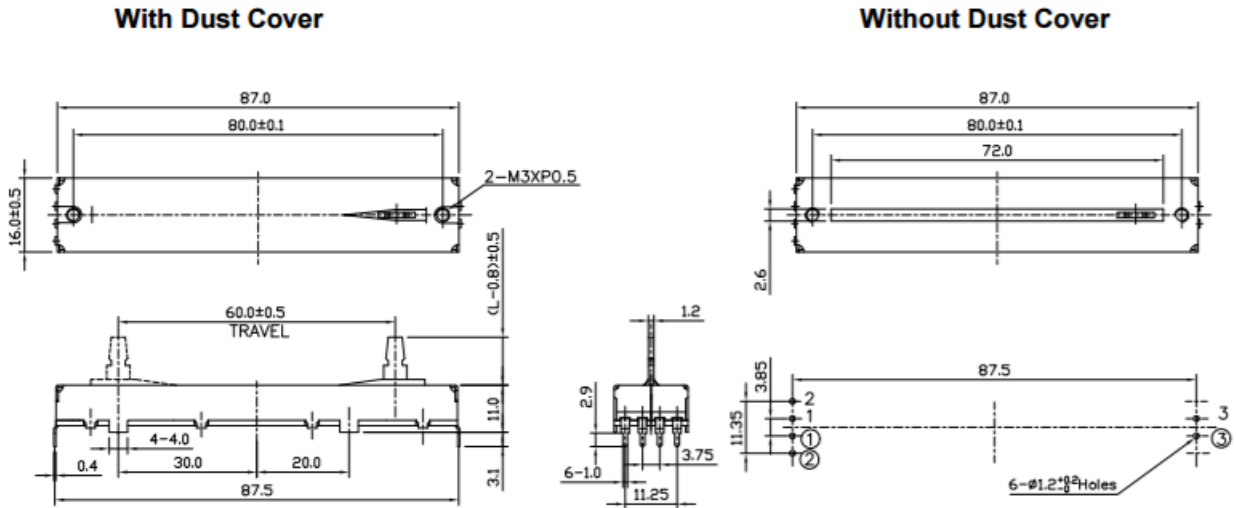
# Slide Potentiometer

## Model PSxxG

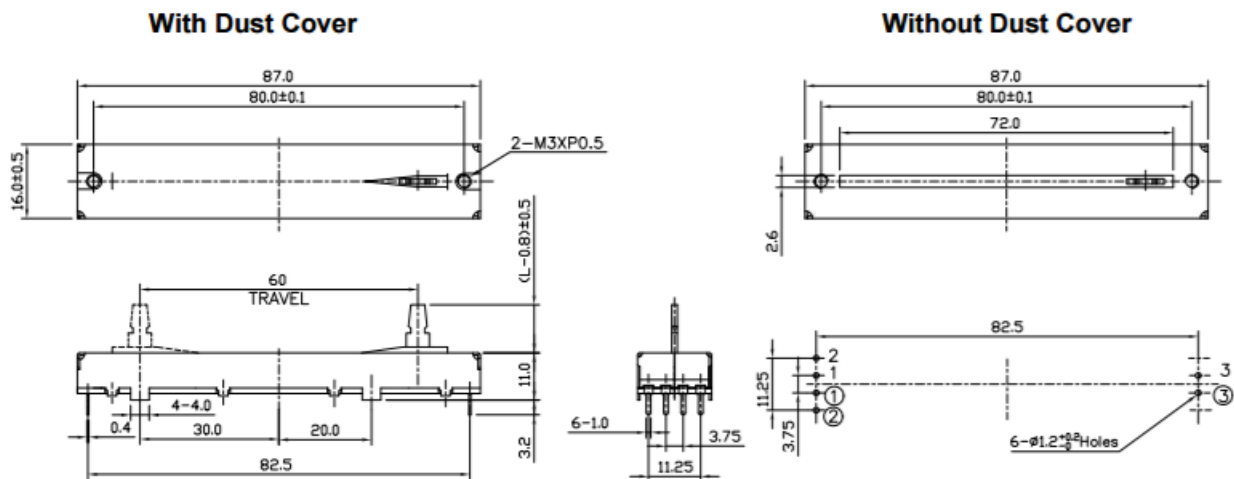


### Outline Drawings

#### PS60G with L type PCB LAYOUT

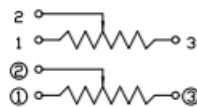


#### PS60G with S type PCB LAYOUT



### Circuit Diagram

#### PSxxG Dual Gang



#### General Note

TT Electronics reserves the right to make changes in product specification without notice or liability. All information is subject to TT Electronics' own data and is considered accurate at time of going to print.

TT Electronics | BI Technologies  
 4200 Bonita Place, Fullerton, CA USA 92835 | Ph: +1 714 447 2345  
[www.ttelectronics.com](http://www.ttelectronics.com) | [sensors@ttelectronics.com](mailto:sensors@ttelectronics.com)

# Mouser Electronics

Authorized Distributor

Click to View Pricing, Inventory, Delivery & Lifecycle Information:

## TT Electronics:

[PS45G-D15SBR100K](#) [PS45G-C1LBR10KN](#) [PS60G-D4SBR10K](#) [PS45G-C1LBR10K](#) [PS45G-C1SBR10KN](#) [PS60G-B2SBR20K](#) [PS45G-B3SBR20K](#) [PS60G-B3SBR50K](#) [PS60G-B3SBR100K](#) [PS60G-B2SBR100K](#) [PS45G-B2SBR1MEG](#) [PS60G-B3SBR10K](#) [PS60G-B3SBR200K](#) [PS60G-B2SBR10K](#) [PS60G-B2SBR50K](#) [PS60G-B2SBR1MEG](#) [PS45G-B2SBR500K](#) [PS45G-B2SBR50K](#) [PS45G-B3SBR50K](#) [PS60G-B3SBR1MEG](#) [PS45G-B3SBR100K](#) [PS45G-C1SBR20KN](#) [PS45G-B2SBR200K](#) [PS60G-B2SBR200K](#) [PS45G-B2SBR20K](#) [PS45G-B2SBR10K](#) [PS60G-B3SBR500K](#) [PS60G-B2SBR500K](#) [PS45G-C1BR20KN](#) [PS45G-B3SBR500K](#) [PS45G-B3SBR200K](#) [PS60G-B1SAR50KN](#)