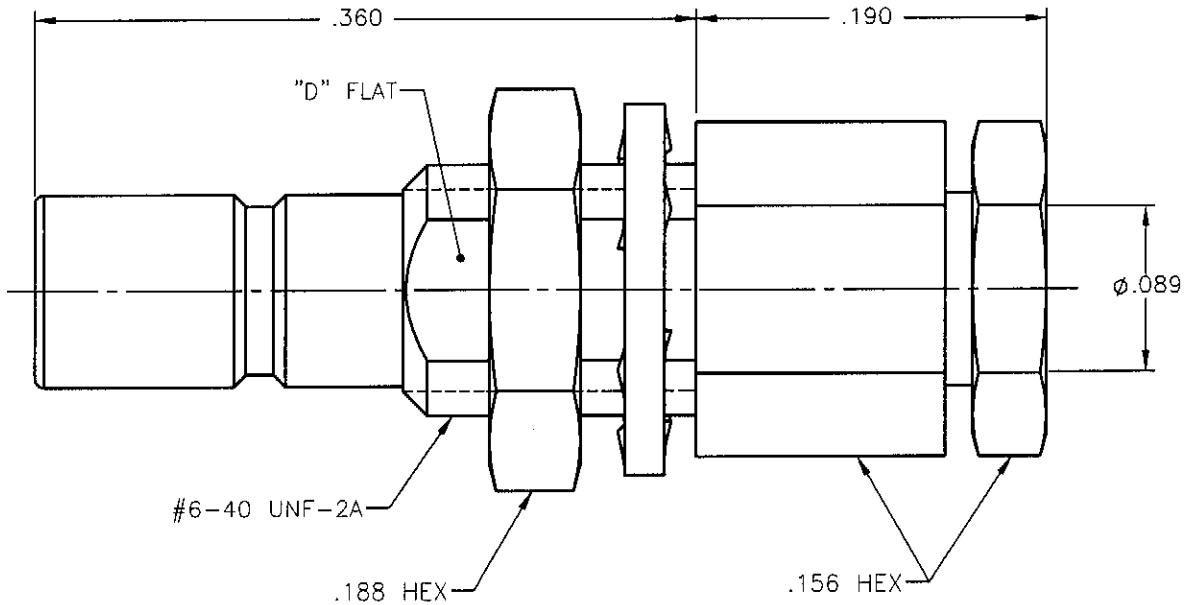


REVISIONS			
REV.	DESCRIPTION	DATE	APPROVED
A	ECO #7417	01/09/09	M.J.



NOTES:


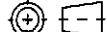
MATERIALS:

1. INSULATORS = VIRGIN WHITE TEFLON PER ASTM D1710, GRADE 1, TYPE I, CLASS "B".
2. CONTACT = BERYLLIUM COPPER PER ASTM B196, ALLOY C17300, TEMPER TD04.
3. LOCKWASHER = PHOSPHOR BRONZE PER ASTM B139, COPPER ALLOY C53400, TEMPER H04.
4. ALL OTHER METAL PARTS = BRASS PER ASTM B16, ALLOY C36000, TEMPER H02.

FINISHES:

1. CONTACT = GOLD PLATE PER MIL-G-45204, TYPE II, CLASS 1, GRADE C, OVER .00010 TO .00020 STRESS FREE SULFAMATE NICKEL PER QQ-N-290.
2. ALL OTHER METAL PARTS = GOLD PLATE PER MIL-G-45204, TYPE II, CLASS 0, GRADE C, OVER .00010 TO .00020 COPPER STRIKE PER MIL-C-14550.

Property of Radiall Incorporated  
This document cannot be reproduced or communicated to a third party without prior written permission of RADIALL Incorporated.

UNLESS OTHERWISE SPECIFIED DIMENSIONS ARE IN INCHES TOLERANCES ON	DWN:	DATE	 <b>APPLIED ENGINEERING PRODUCTS</b> 104 John W. Murphy Dr. New Haven, CT 06513 a RADIALL company
	M.J.	01/09/09	
DECIMAL	ANGLE	CHKD:	<b>SSMB STRAIGHT JACK          SOLDER TYPE          FOR .085 SEMI-RIGID &amp; SIMILAR CABLES</b>
		D.N.	
REFERENCE:	MATERIALS & FINISHES:	APVD:	DATE
ORIGINATED: D.N.	SEE NOTES	J.M.	01/09/09
DATE: 09/27/83		SIZE	FSCM NO.
		A	19505
		DWG NO.	7203-1541-010
		SCALE	10:1
		THIRD ANGLE PROJECTION	
			SHEET 1 OF 1

7203-1541-010

# Mouser Electronics

Authorized Distributor

Click to View Pricing, Inventory, Delivery & Lifecycle Information:

Radial:

[7203-1541-010](#)