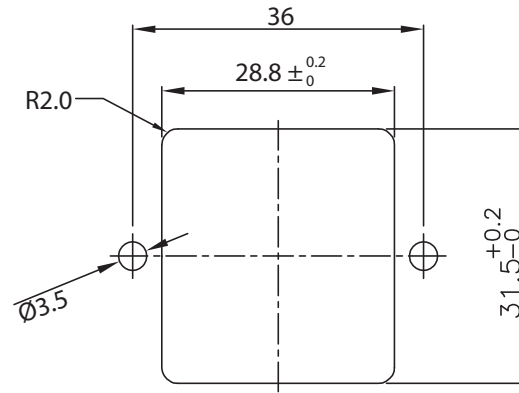
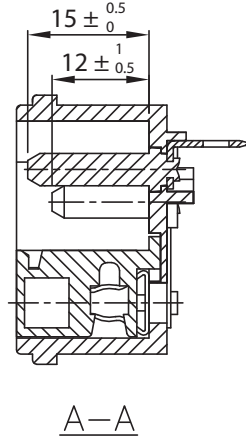
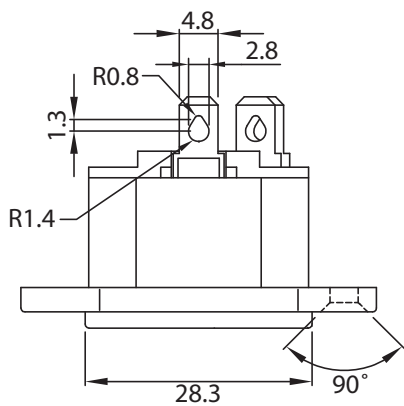
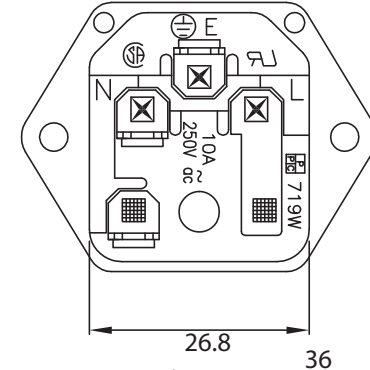
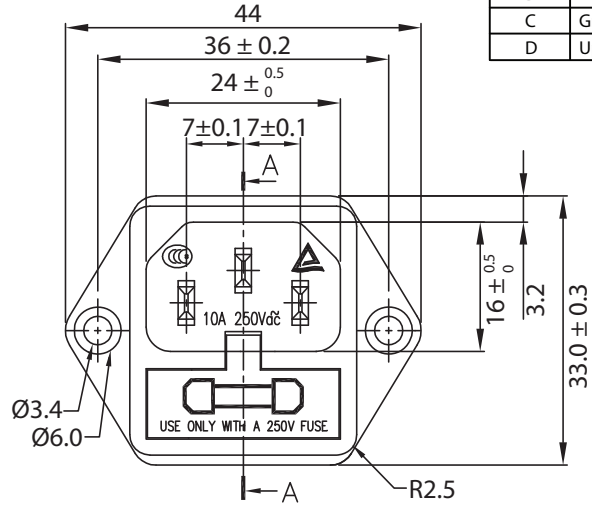
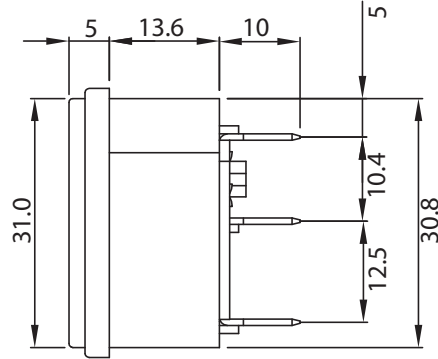
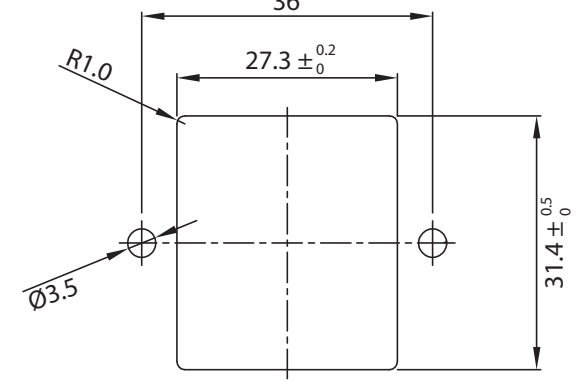


THESE DRAWINGS ARE THE PROPERTY OF QUALTEK ELECTRONICS AND NOT TO BE REPRODUCED FOR OR COMMUNICATED TO A THIRD PARTY WITHOUT THE EXPRESS WRITTEN PERMISSION OF AN OFFICER OF QUALTEK ELECTRONICS.

REVISION			
REV.	DESCRIPTION	DATE	APPROVED
B	RoHS Compliancy	06-01-06	DP
C	Graphics Update	03-20-08	DP
D	Updated Approvals and Added Dimension Specifications	05-12-16	LY



PANEL CUTOUT  
INLET FLANGE MOUNTED BEHIND PANEL



PANEL CUTOUT  
INLET FLANGE MOUNTED IN FRONT OF PANEL

NOTES:

MATERIAL:

MOULDING: NYLON, FLAMMABILITY RATING UL 94 V-0

CONTACTS: BRASS, PINS NICKEL PLATED, TAGS TIN PLATED

RATING: 10A 250V AC

CONTACT RESISTANCE: <10m OHM

INSULATION RESISTANCE: >100M OHM 500VDC MIN

DIELECTRICS STRENGTH: 2000VAC/1mA 1MIN

A.C. BREAKDOWN:

POLE-POLE: 5kV

POLES-PANEL: 4.0kV

OPERATING TEMPERATURE: -10 °C TO +60 °C

APPROVALS: UL, CSA, TUV, CCC

DUAL FUSEHOLDER, ONE ACTIVE, ONE SPARE

FUSES NOT INCLUDED - RECOMMENDED SIZE: 5 X 20mm

RECOMMENDED SCREW SIZE: M3.0

RoHS COMPLIANT

**CONTROLLED**

Dim range (mm)	Tolerance +/- (mm)	Qualtek Electronics Corp. PPC DIVISION		
		Part Number:	719W-00/03	RoHS Compliant
0-1	0.15	Description: AC RECEPTACLE		
1-6	0.20			
6-18	0.30	UNIT: mm	REV.D	
18-50	0.50			
50-120	0.70	Drawn / Date	Checked / Date	Approved / Date
120-250	0.90	B.Zhang 08-28-02	08-28-02	JJH / 08-28-02
250-500	1.20			

# Mouser Electronics

Authorized Distributor

Click to View Pricing, Inventory, Delivery & Lifecycle Information:

[Qualtek:](#)

[719W-00/03](#)