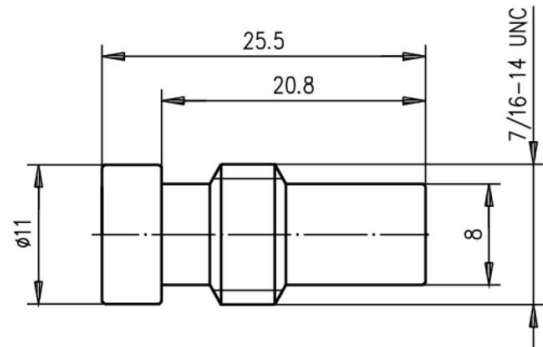
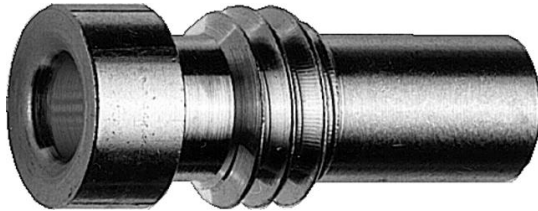


order number: A16000C0605

UHF Reducing Adaptor G1 (RG-58C/U) Ni



Technical Attributes	
Cable group; cable	G1 (RG-58C/U) HPF 195 WCX195 RG-58C/U 9907 7806A LMR-195 KX 15 CNT-195
Remarks	nickel-plated
Assembly	B11
MIL-Std.	UG-175/U

### Product description

The UHF series is a low cost, low frequency connector with a screw coupling. The maximum usable frequency is limited to 200 MHz, as the impedance of the connector is not controlled. Flexible cables up to 11 mm (0.433") in diameter can be used. Soldering and crimping techniques are used for terminating these connectors. Applications for the UHF connectors are for low-frequency communication equipment.

Mechanical Characteristics	
Material: contacts	CuZn39Pb3
Material: other metal parts	CuZn39Pb3
Material: insulators	PTFE; POM; ABS
Finish: Inner conductor	Cu2Ag5

Finish: Outer conductor	CuNi5
Finish: Other metal parts	CuNi5

Climatic Characteristics	
Climatic category acc. to IEC 60068 - 1	40/070/21

Electrical Characteristics	
Contact resistance inner conductor	$\leq 5 \text{ m}\Omega$
Contact resistance outer conductor	$\leq 5 \text{ m}\Omega$
Insulation resistance	$\geq 5 \text{ G}\Omega$
Voltage proof	2 kVeff/50 Hz
Impedance	circa 50 $\Omega$
Working voltage	$\leq 750 \text{ Veff/50 Hz}$
Frequency range up to	200 MHz

Standards	
IEC 60 169-12	

### Note

Combination connectors and cable clamps can be utilised to create a further number of UHF-connector variations.

RF cable assemblies with UHF connectors upon request.