

THE PUSH BUTTON POSITION

PIN NUMBER	DIM. L(PIN LENGTH)
25,26	3.50
ALL OTHER PINS	4.25
1, 13, 38, 50	5.00

mot'l. code		tolerances unless otherwise specified		CUSTOMER COPY		FCI		title	
l/r	ecn no	dr	dtte	linear	scale	product family	code	CF ASS'Y, ABOVE MOUNT, LEFT PUSH, S/O=0	
A	T05-0258	A.C.	11/21/05	.XXX ± 0.20	MM	CF	TWN	www.fciconnect.com	
B	T06-0038	A.C.	3/02/06	.XXX ± 0.10	NA	CF	1 of 4		
C	T08-1173	S.LIN	10/12/08	0° ± 2°		10061861	1 of 4		
sheet	revision	index	sheet	index	sheet	index	sheet		
			1	2	3				

1 | 2

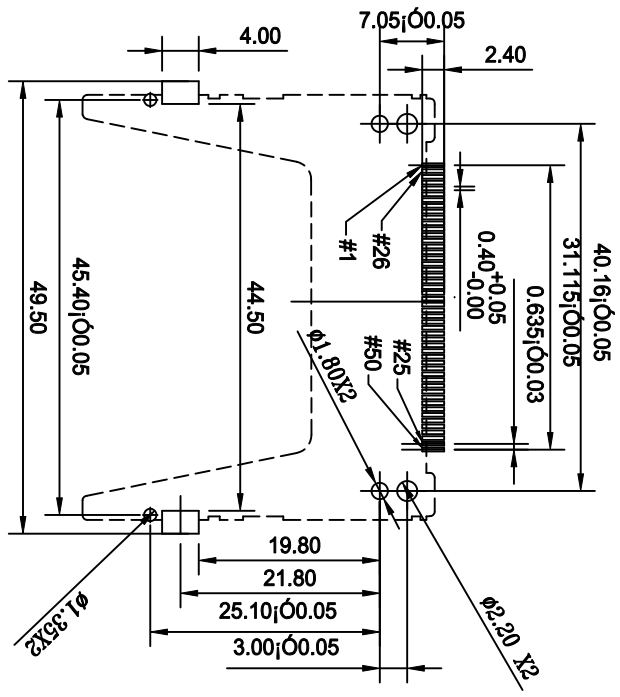
1 | 2

3 |

4

ACAD

cage code



Recommended PCB Pattern

mot'l. code	tolerances unless otherwise specified		CUSTOMER COPY		FCI	
l/r	ecn no	dr	dtte	linear	projection	title
A	T05-0258	A.C.	11/21/05	.XX ± 0.20	MM	CF ASS'Y, ABOVE MOUNT, LEFT PUSH, S/O=0
B	T06-0038	A.C.	3/02/06	.XXX ± 0.10	MM	
C	T08-1173	S.LIN	10/12/08	0 ± 2°	MM	
sheet index	revision	sheet	sheet	sheet	sheet	sheet
1	C	1	C	C	C	C
2	C	2	C	C	C	C
3	C	3	C	C	C	C
				engr/ALLEN CHANG	11/03/05	product family
				chr/STERLING LIN	11/03/05	CF
				oppl/H.C LIU	11/03/05	size/dwg no
						10061861
						code
						TWN
						sheet
						3 of 4
						www.fciconnect.com
						cage code

ACAD



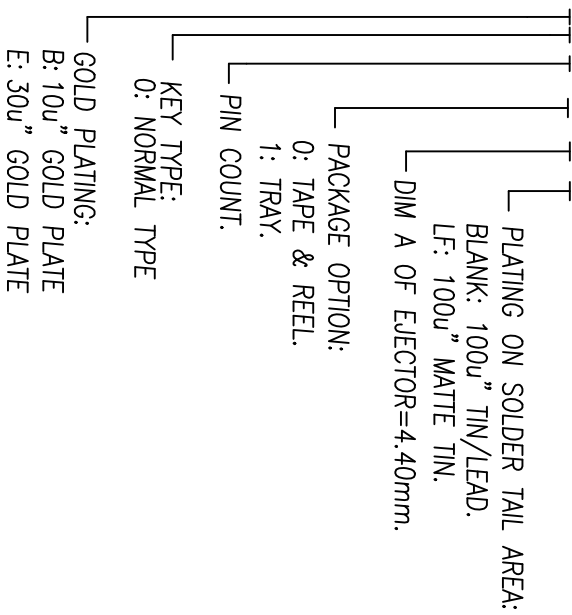
1 | 2

NOTES :

1. THIS IS THE ASSEMBLY TYPE WHICH INCLUDES HEADER 10053867-4E0501 AND EJECTOR 10053870-0150LF.
2. MATERIAL :
INSULATOR : HIGH TEMPERATURE THERMOPLASTIC
FLAMMABILITY RATING: UL94V-0
COLOR: IVORY
CONTACT : COPPER ALLOY
GROUND MOUNTING EAR: COPPER ALLOY
COVER: STAINLESS STEEL.
ARM: STAINLESS STEEL.
PUSH ROD : HIGH TEMPERATURE THERMOPLASTIC
FLAMMABILITY RATING: UL94V-0
COLOR: BLACK
RIVET : COPPER ALLOY
3. PLATING :
CONTACT AREA: SELECTIVE GOLD (SEE P/N DESCRIPTION)
UNDER PLATING: 50u" NICKEL OVERALL
SOLDER TAIL AREA: 100u" TIN/LEAD OR 100u" MATTE TIN
GROUND MOUNT EAR AREA: 100u" TIN/LEAD OR 100u" MATTE TIN
4. SOLDER TAILS TO BE WITHIN 0.05 UPWARD AND 0.2 DOWNWARD FROM Z-DATUM PLACE, AND COPLANARITY OF SOLDER TAILS TO BE WITHIN 0.10mm.
5. PRODUCT SPEC: GS-12-240.
6. PACKAGING SPEC: GS-14-1040.

7. Part Number Description:

P/N: 10061861-X050 X 1 X



8. THIS PRODUCT (10061861-XXXXXXLF) MEETS THE EUROPEAN UNION DIRECTIVE AS DESCRIBED IN GS-22-008.
9. THIS PRODUCT (10061861-XXXXXX) MEETS THE EUROPEAN UNION DIRECTIVE AS DESCRIBED IN GS-22-008 EXCEPT FOR Pb.
10. THE HOUSING WILL WITHSTAND EXPOSURE TO 260°C PEAK TEMPERATURE FOR 10 SECONDS IN A CONVECTION, IR OR VAPER PHASE REFLOW OVEN.
11. THE PRODUCTS WHERE THE PART NUMBER ENDS IN "LF" MEET THE CRITERIA SHOWN IN THE NOTES 8 AND 10.

3 |

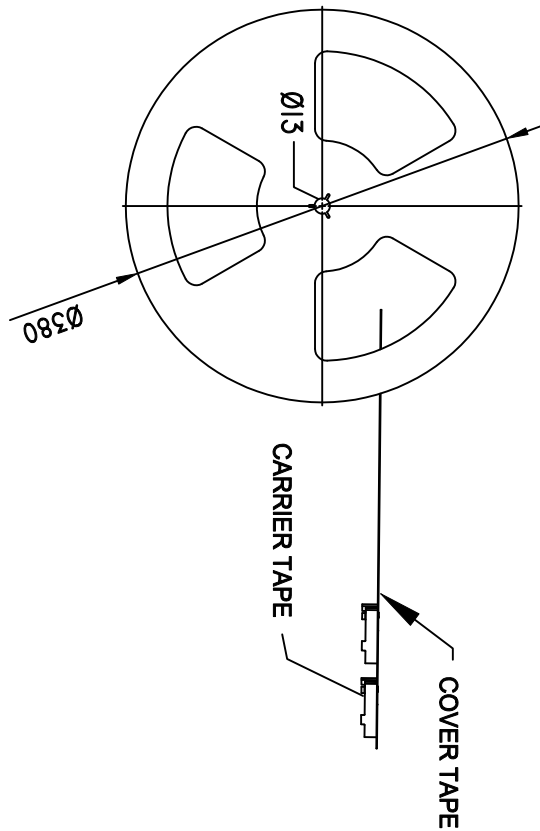
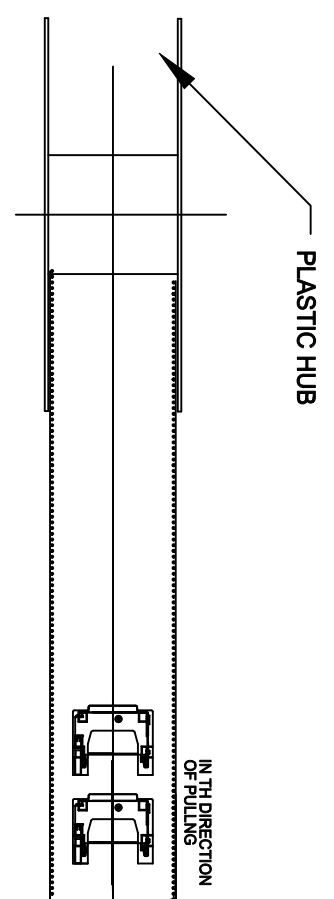
4

mot'l. code	tolerances unless otherwise specified		CUSTOMER COPY	FCI	title	product family	code
ltr	ecn no	dr	dtte	linear	projection	scale	sheet
A	T05-0258	A.C.	11/21/05	.XX ± 0.20	MM	CF ASS'Y, ABOVE MOUNT, LEFT PUSH, S/O=0	2 of 4
B	T06-0038	A.C.	3/02/06	.XXX ± 0.10	MM	CF ASS'Y, ABOVE MOUNT, LEFT PUSH, S/O=0	2 of 4
C	T08-1173	S.LIN	10/12/08	0° ± 2°	MM	CF ASS'Y, ABOVE MOUNT, LEFT PUSH, S/O=0	2 of 4
sheet	revision			chr	eng	appr	code
index	sheet			H.C	LIOU	11/03/05	TWN

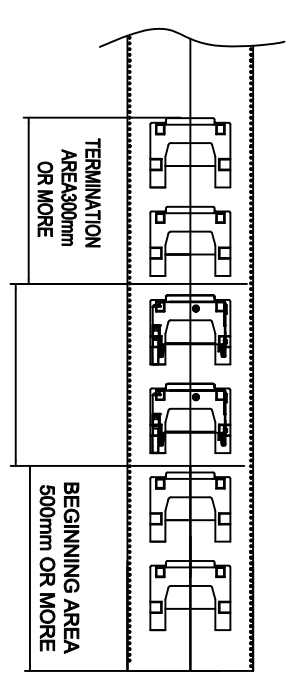
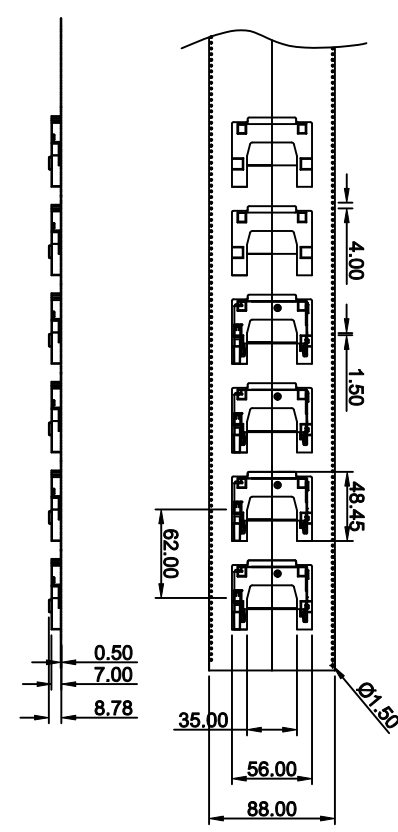
1 | 2

3 |

4



- NOTES:**
 1. CARRIER TAPE: PS T=0.4MM
 2. COVER TAPE: PE
 3. PLASTIC HUB: PS



CONNECTOR PACKAGING
 AREA QUANTITY: 150PCS

COMPOSITION OF PACKAGING

mot'l. code		tolerances unless otherwise specified		CUSTOMER COPY		FCI		title		code	
lfr	ecn no	dr	dtte	linear	scale	projection	product family	CF ASS'Y, ABOVE MOUNT, LEFT PUSH, S/O=0	CF	TWN	sheet
A	T05-0258	A.C.	11/21/05	.XX ± 0.20	MM	1st angle	CF			4 of 4	
B	T06-0038	A.C.	3/02/06	.XXX ± 0.10	NA	1st angle	CF				
C	T08-1173	S.LIN	10/12/08	0° ± 2°	NA	1st angle	CF				
sheet index		revision	sheet	chr	eng	dr	appd	product family		code	
1	2	C	C	H.C LIU	LIU	ALLEN CHANG	LIU	CF	10061861	TWN	4 of 4
ACAD		1		2		3		cage code		4	