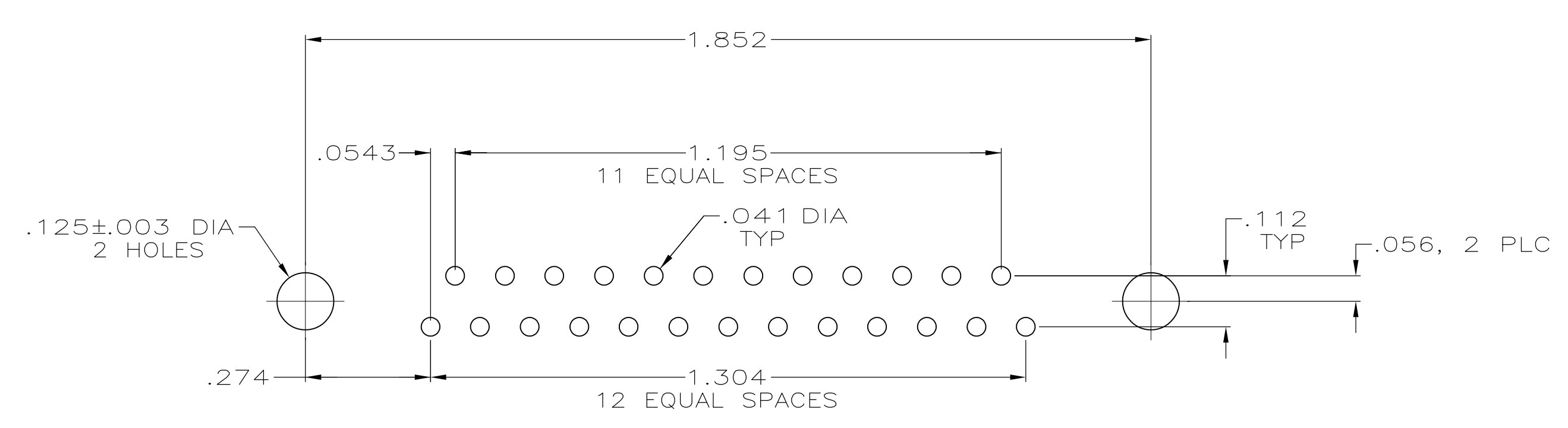
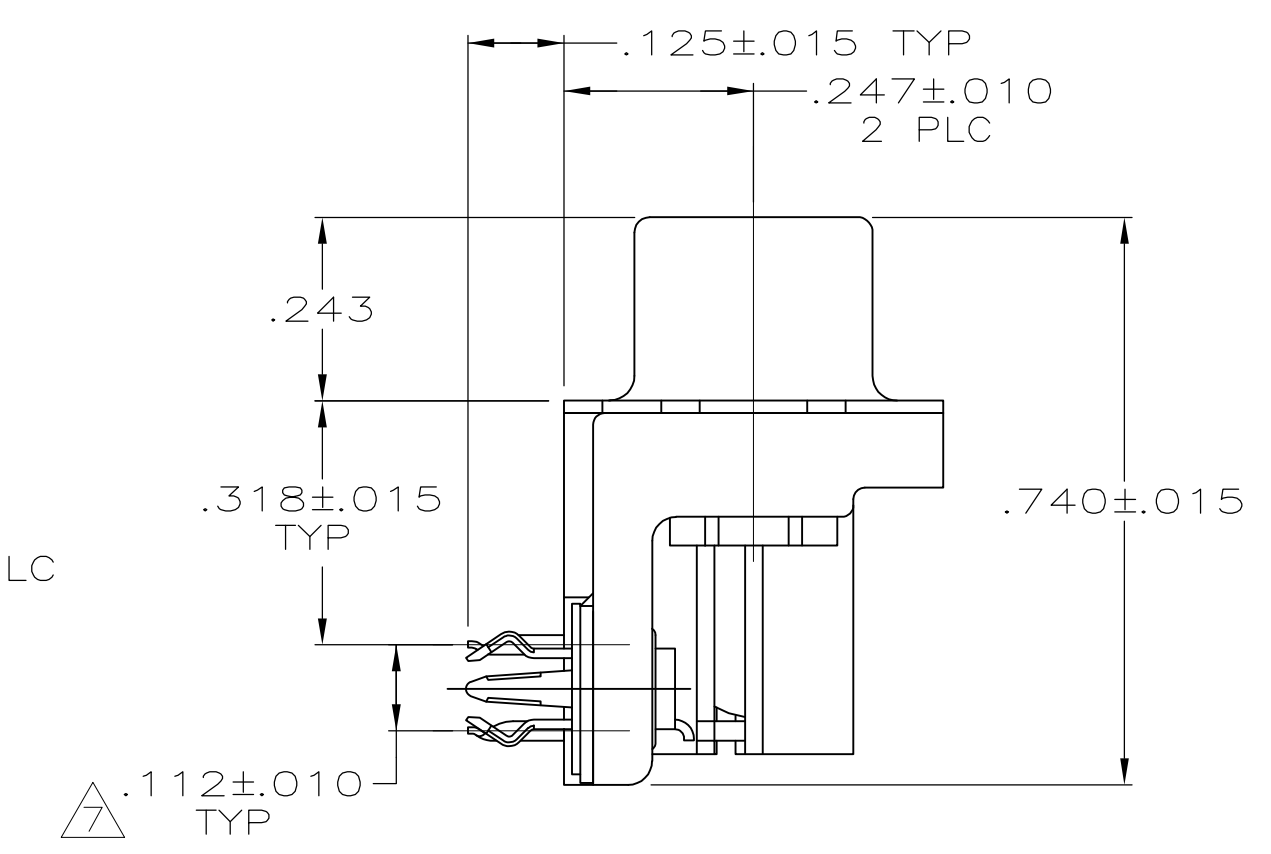
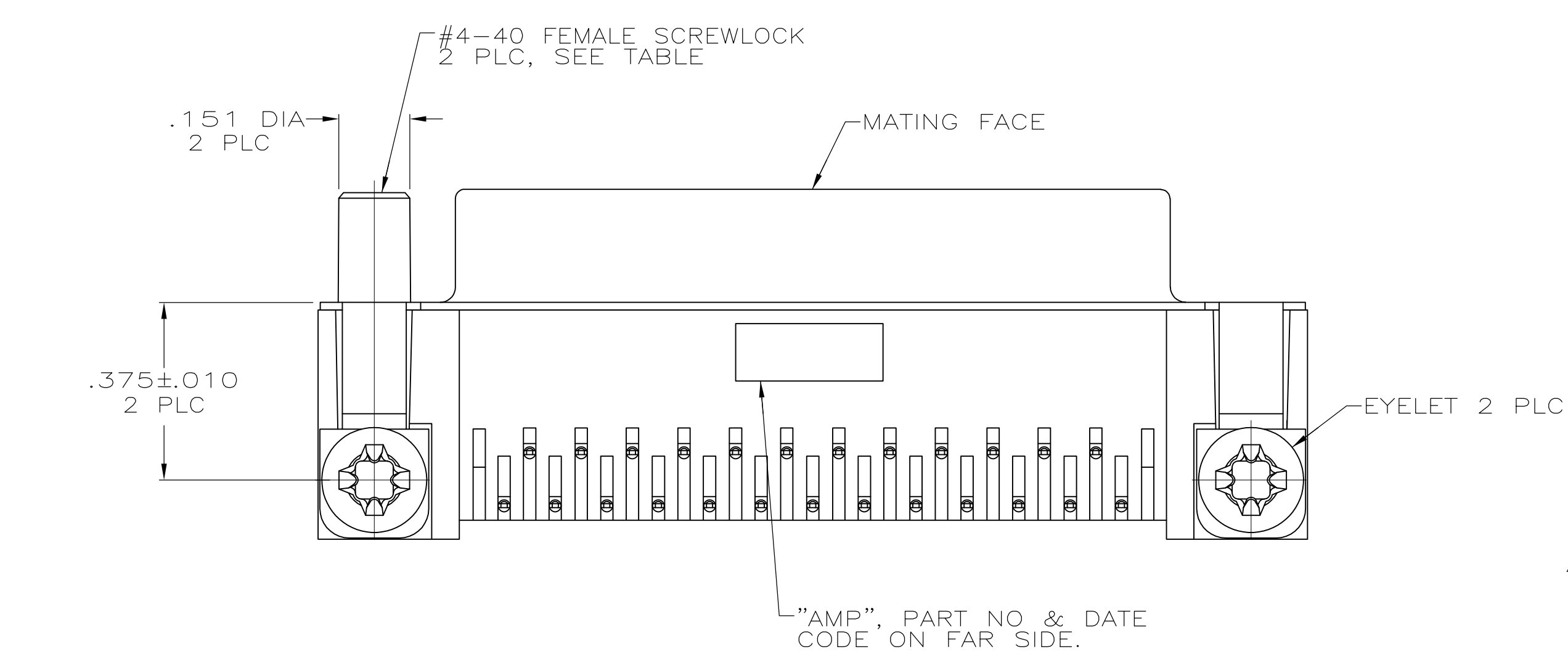
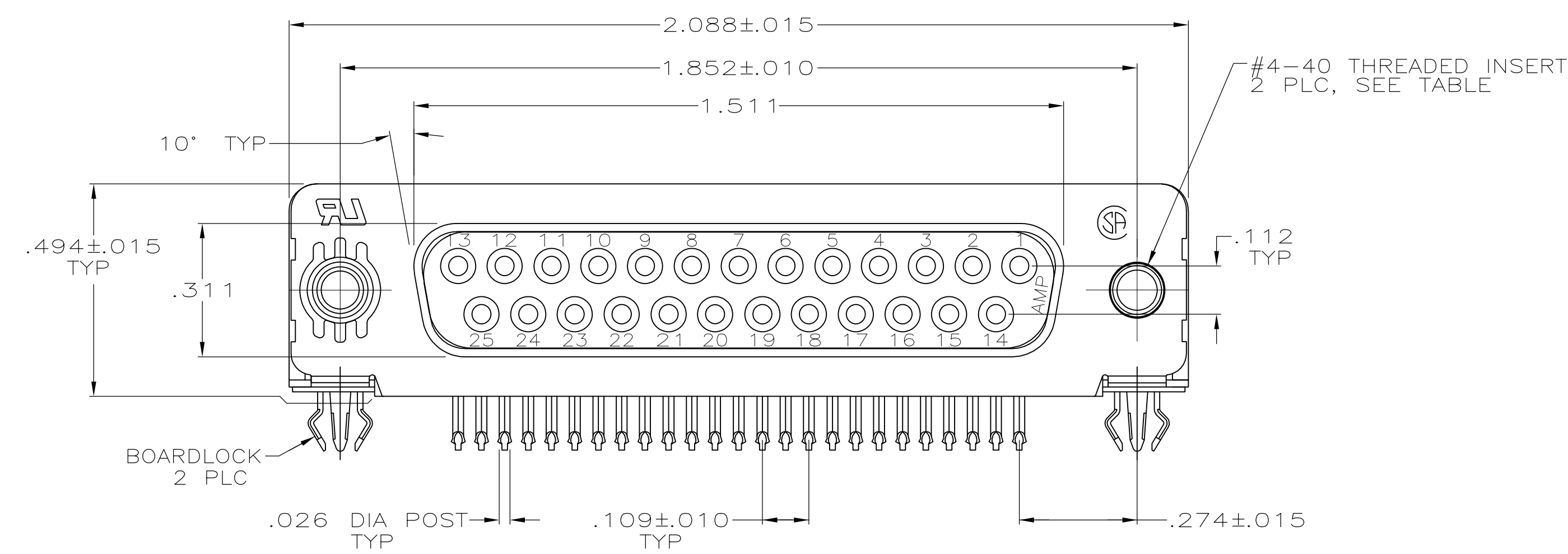


| LOC |    | DIST |     | REVISIONS                 |         |     |      |
|-----|----|------|-----|---------------------------|---------|-----|------|
| GP  | 00 | F    | LTR | DESCRIPTION               | DATE    | DWN | APVD |
|     |    | Z1   |     | REVISED PER ECO-11-004835 | 11MAR11 | RK  | HMR  |



1. CONNECTOR MATES WITH ANY 25 POSN PLUG IN AMPLIMITE™ SERIES.
2. MOLDED PARTS: FLAME RETARDANT 94V-0 RATED THERMOPLASTIC, BLACK; POLYESTER PET, UL 94V-0 RATED, BLACK, -7 ONLY.  
SHELL: STEEL PER ASTM A109  
CONTACTS: PHOSPHOR BRONZE PER QQ-B-750  
EYELETS: BRASS  
SCREWLOCKS: ZINC  
INSERTS: ZINC  
BOARDLOCKS: COPPER ALLOY
3. SHELL: .000100 MIN TIN OR TIN-LEAD  
CONTACTS: SEE TABLE  
EYELETS: TIN  
BOARDLOCKS: SEE TABLE  
INSERTS AND SCREWLOCKS: CLEAR CHROMATE
4. GOLD PLATING PER MIL-G-45204, NICKEL PLATING PER QQ-N-290, TIN PLATING PER MIL-T-10727.
5. GOLD FLASH FOR A DISTANCE OF .100 MIN FROM MATING END, .000100-.000200 BRIGHT TIN OR BRIGHT TIN-LEAD ON TERMINATION END, ALL OVER .000050 NICKEL ON ENTIRE CONTACT.
6. .000030 GOLD FOR A DISTANCE OF .100 MIN FROM MATING END, .000100-.000200 BRIGHT TIN OR BRIGHT TIN-LEAD ON TERMINATION END, ALL OVER .000050 NICKEL ON ENTIRE CONTACT.
7. DIMENSION APPLIES FROM CENTER OF CONTACTS.
8. CIRCUIT IDENTIFICATION NUMBERS ON POSITIONS 1 AND 14 ONLY.

|                   |                 |                   |                  |                             |             |          |          |
|-------------------|-----------------|-------------------|------------------|-----------------------------|-------------|----------|----------|
| -                 | ZINC            | FEMALE SCREWLOCKS | TIN              | 6                           | 6-747846-9  |          |          |
| TRAY              | ZINC            | THREADED INSERTS  | TIN              | 6                           | 6-747846-8  |          |          |
| -                 | ZINC            | THREADED INSERTS  | TIN              | 6                           | 6-747846-7  |          |          |
| SUPSD BY 747846-4 | TUBE            | ZINC              | THREADED INSERTS | TIN-LEAD                    | 6           | 747846-9 |          |
| 7                 | OBSOLETE        | -                 | BRASS            | ULTRASONIC THREADED INSERTS | TIN-LEAD    | 6        | 747846-7 |
| -                 | ZINC            | FEMALE SCREWLOCKS | TIN-LEAD         | 6                           | 747846-6    |          |          |
| -                 | ZINC            | FEMALE SCREWLOCKS | TIN-LEAD         | 6                           | 747846-5    |          |          |
| TRAY              | ZINC            | THREADED INSERTS  | TIN-LEAD         | 6                           | 747846-4    |          |          |
| -                 | ZINC            | THREADED INSERTS  | TIN-LEAD         | 6                           | 747846-3    |          |          |
| OBSOLETE          | -               | -                 | .125 DIA HOLES   | 6                           | 747846-2    |          |          |
| SUPSD BY 747846-2 | -               | -                 | .125 DIA HOLES   | 6                           | 747846-1    |          |          |
| PACKAGING         | INSERT MATERIAL | MOUNTING HARDWARE | BOARDLOCK FINISH | CONTACT FINISH              | PART NUMBER |          |          |

THIS DRAWING IS A CONTROLLED DOCUMENT. DIN 28-JAN-91

J. GALLUCCI/BG 15-APR-91

W.G. LENKER 15-APR-91

J. YOUNG 15-APR-91

RECEPTACLE ASSEMBLY, SIZE 3, 25 POSITION, RIGHT ANGLE, FRONT METAL SHELL, .318 SERIES, .026 DIA POSTS, BOARDLOCKS, AMPLIMITE™ HD-20

108-40025

114-40010

00779

747846

CUSTOMER DRAWING

SCALE 4:1 SHEET 1 OF 1 REV Z1