

Sales Outline Drawing

May not be suitable for all Medical and Aerospace applications.
Contact Mallory Sonalert to discuss your application.

Specifications:

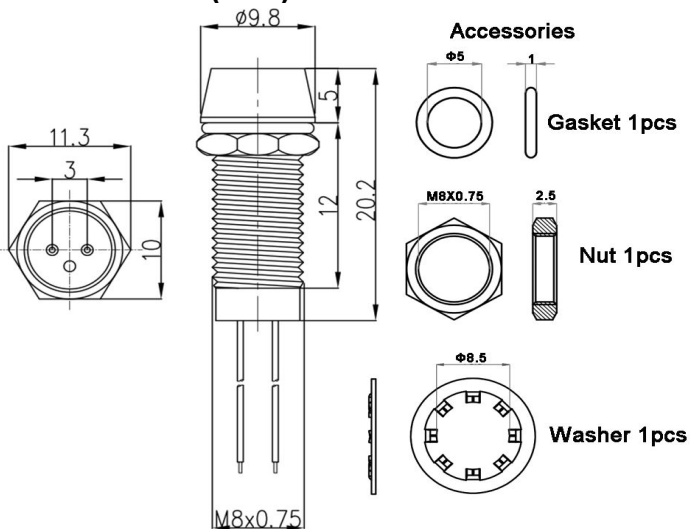
Panel Hole	8 mm
Voltage Type	DC or AC (see table below)
LED Color Available	Red, Green, Blue, Yellow, or White
Lens Color	Same as LED
Rated Voltage Available	See table below
Max Current Draw	20 mA
Storage & Operating Temperature	-20 °C to +85 °C
Ingress Protection Rating	IP50
LED Life	50,000 hours
Weight (Typical)	7.2 g
Housing Material	Nickel-plated Brass, PA66, and Polycarbonate
Termination Type	Wires
Wire Specification	7.3" (185 mm) PTFE AWG22
Max Nut Torque	13 ft-lbs (18 Nm)
Panel Thickness	0.04-0.35" (1-9mm)
Hardware Kit	LM8-FSQ8-MHDP8

RoHS Compliant

Dimensions (mm):

Part Number:

FL1M-8CW-4-X#V



Rated Voltage

B=Blue
G=Green
R=Red
Y=Yellow
W=White

Lead color: Black and Red

Length for reference only.

	Light Intensity	Dominant Wavelength	Viewing Angle
Red	1000 -1500 mcd	622 nm	35°
Green	8000 -10000 mcd	522 nm	60°
Yellow	1000 -1500 mcd	590 nm	35°
Blue	2000 - 3000 mcd	464 nm	35°

Rated Voltage	2 VDC	3 VDC	6 VDC	12 VDC	24 VDC	48 VAC	110 VAC	220 VAC	380 VAC
Red	1.8-2.2V	2.7-3.3V	5.4-6.6V	10.8-13.2V	21.6-26.4V	43.2-52.8V	99-121V	198-242V	342-418V
Green	N/A	3-3.2V	5.4-6.6V	10.8-13.2V	21.6-26.4V	43.2-52.8V	99-121V	198-242V	342-418V
Blue	N/A	3.12-3.2V	5.4-6.6V	10.8-13.2V	21.6-26.4V	43.2-52.8V	99-121V	198-242V	342-418V
Yellow	2-2.2V	2.7-3.3V	5.4-6.6V	10.8-13.2V	21.6-26.4V	43.2-52.8V	99-121V	198-242V	342-418V
White	N/A	3-3.2V	5.4-6.6V	10.8-13.2V	21.6-26.4V	43.2-52.8V	99-121V	198-242V	342-418V

Mouser Electronics

Authorized Distributor

Click to View Pricing, Inventory, Delivery & Lifecycle Information:

[Mallory Sonalert:](#)

[FL1M-8CW-4-G110V](#) [FL1M-8CW-4-G12V](#) [FL1M-8CW-4-G3V](#) [FL1M-8CW-4-R12V](#) [FL1M-8CW-4-R110V](#) [FL1M-8CW-4-Y110V](#) [FL1M-8CW-4-Y24V](#) [FL1M-8CW-4-Y2V](#) [FL1M-8CW-4-G24V](#) [FL1M-8CW-4-R2V](#) [FL1M-8CW-4-Y12V](#)
[FL1M-8CW-4-R24V](#) [FL1M-8CW-4-G6V](#) [FL1M-8CW-4-Y6V](#)