

MAXI® BLADE FUSE RATED 32V



**Also available:
MAXI Sn Fuse
(tin plated)**



Specifications

Voltage Rating:	32 VDC
Interrupting Ratings:	1000A @ 32 VDC
Operating Temperature Range:	-40°C to +125°C (Sn=-40°C to +105°C)
Terminals:	Ag plated zinc alloy
Housing Material:	PA66
Complies with:	SAE J 1888 ISO 8820-3:2002(E) (Sn Fuse not UL recognized)

Ordering Information

Part Number	Package Size
0299xxx.ZXNV	1200
0299xxx.L	50
0299xxx.TXN	10
MAXI Sn Fuse	
0299xxx.ZXT	1200

Description

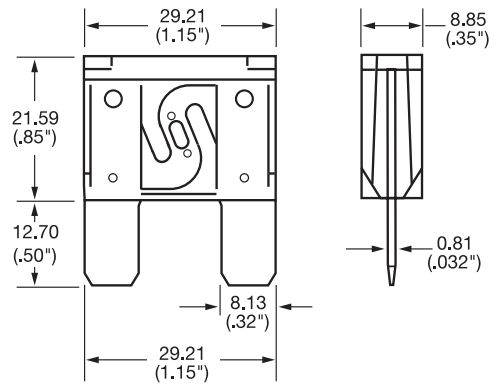
The MAXI® fuse uses "Diffusion Pill Technology" to provide predictable time delay characteristics and low heat dissipation.

Time-Current Characteristics

% of Rating	Opening Time Min / Max (s)
100	360,000 s / -
135	60 s / 1,800 s
200	2 s / 60 s
350	0.20 s / 7 s
600	0.040 s / 1 s

Dimensions

Dimensions in mm

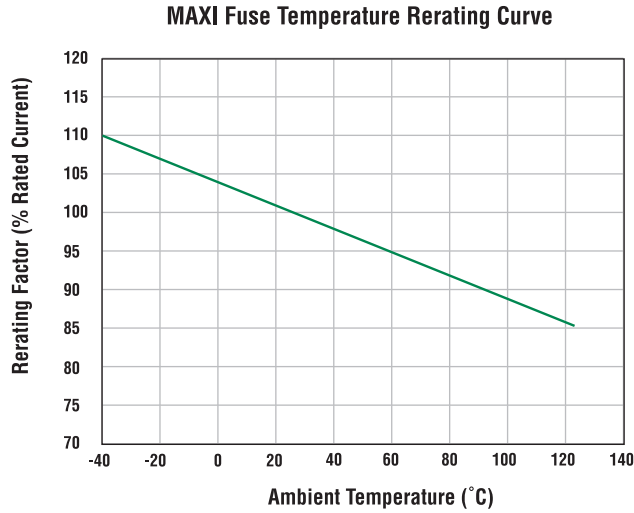


Corresponding holder see Section "Fuse Holders."

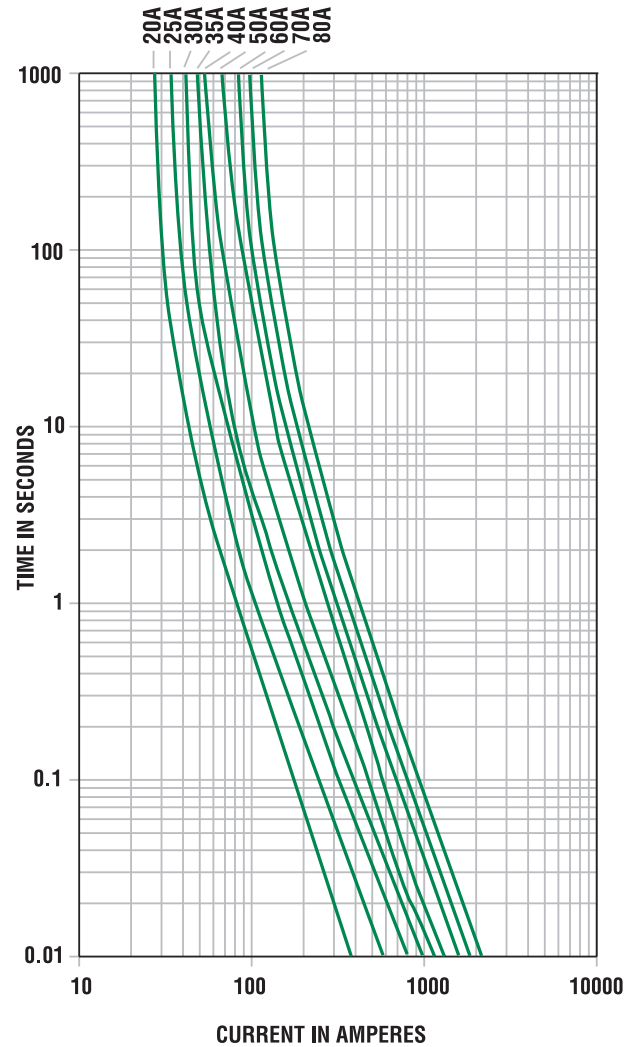
MAXI[®] BLADE FUSE RATED 32V

RoHS

Temperature Derating Curve



Time-Current Characteristic Curves



Ratings

Part Number	Current Rating	Housing Material Color	Typ. Voltage Drop	Cold Resistance	I ² t
0299020_	20 A	Yellow	76 mV	3.10 mΩ	1100 A ² s
0299025_	25 A	Grey	75 mV	2.39 mΩ	2087 A ² s
0299030_	30 A	Green	77 mV	1.95 mΩ	4070 A ² s
0299035_	35 A	Brown	75 mV	1.71 mΩ	6032 A ² s
0299040_	40 A	Orange	75 mV	1.42 mΩ	8450 A ² s
0299050_	50 A	Red	73 mV	1.10 mΩ	11300 A ² s
0299060_	60 A	Blue	77 mV	0.89 mΩ	15300 A ² s
0299070_	70 A	Tan	61 mV	0.64 mΩ	6900 A ² s
0299080_	80 A	White	62 mV	0.54 mΩ	8800 A ² s