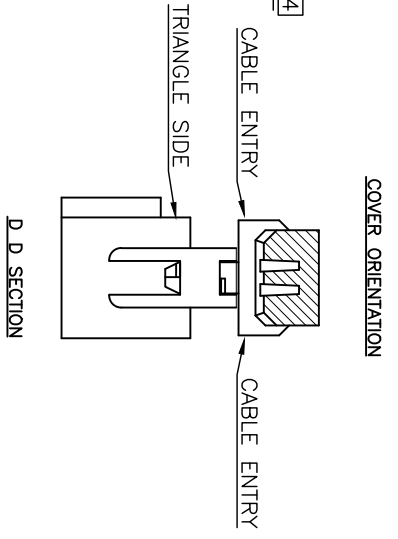
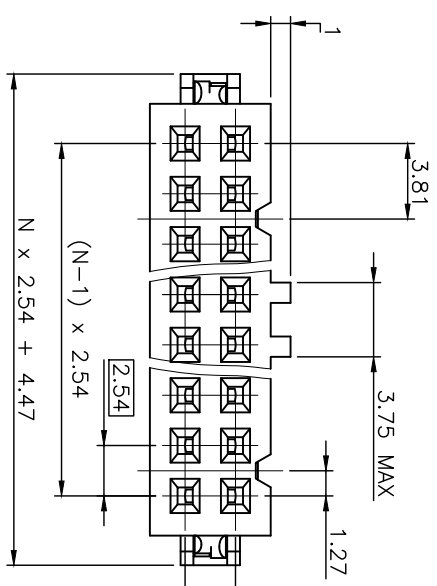
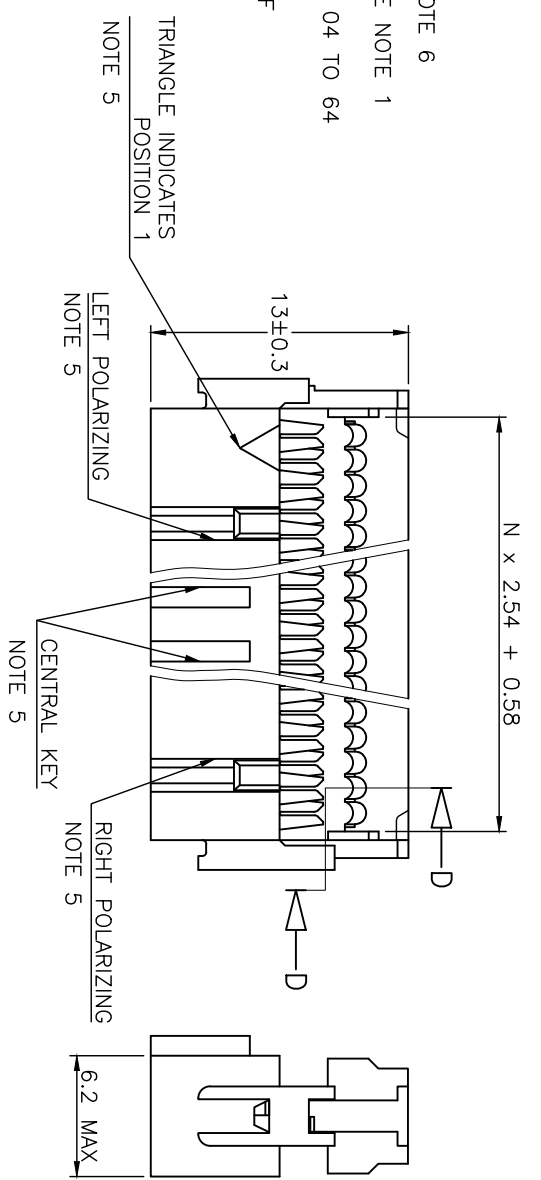


PRODUCT NUMBER
71600-XXXXLF

LEAD FREE, SEE NOTE 6
 COLOR OPTION, SEE NOTE 1
 TOTAL NB OF POSITION 04 TO 64
 SEE SHEET 2
 OPTIONAL STRAIN RELIEF
 SEE SHEET 2



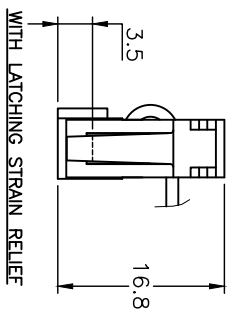
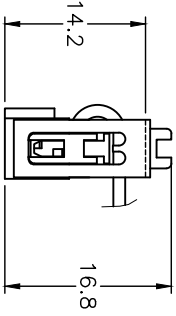
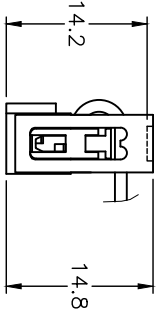
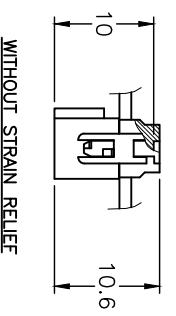
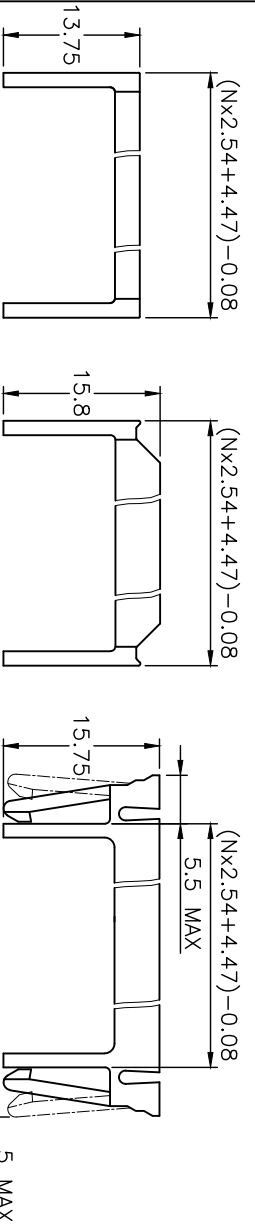
- NOTES:
- HOUSING MATERIAL : GLASS FILLED THERMOPLASTIC. UL94V-0 COLOR: GREY
 = STANDARD COLOR GREY
 B = OPTION COLOR BLACK
 - PIN MATERIAL : PHOSPHOR BRONZE
 - PRODUCT PACKAGED IN TUBES.
 - TO DETERMINE DIMENSIONS :
 N = NUMBER OF POSITIONS PER ROW
 EXAMPLE : 8 POS N x 2.54 = 20.32mm
 - 2x5, 2x6, 2x7 HAVE NO LEFT POLARIZING SLOT.
 2x2, 2x3 WITH CENTRAL KEY HAVE NO TRIANGLE, NO LEFT AND RIGHT POLARIZING SLOT.
 2x2 WITHOUT CENTRAL KEY HAS NO LEFT AND RIGHT POLARIZING SLOT.
 2x3, 2x4 WITHOUT CENTRAL KEY HAVE NO LEFT POLARIZING SLOT
 2x4 WITH CENTRAL KEY HAVE NO LEFT AND RIGHT POLARIZING SLOT
 - THIS PRODUCT MEETS EUROPEAN UNION DIRECTIVES AND OTHER COUNTRY REGULATIONS AS PER GS-22-008.
 PACKAGING SPECIFICATION AS PER GS-14-920.

mat'l. code	surface	tolerance	projection	product family
SEE NOTES	ISO 1302	ISO 406 ISO 1101	mm	2.54MM IDC
trf. ecn no. / dr. date	tolerances unless otherwise specified	linear XXX ±0.13	mm	title
AP F12-004/LMU 12.04.25	angles	XXX ±0.3	mm	QUICKIE III FEM
AR B-1785/LMU 14.06.05	linear XXX ±0.13	XXX ±0.05	scale 5:1	0.76µm Au
AS F-26816/LMU 17.06.06	linear XXX ±0.13	XXX ±0.05	scale 5:1	sheet no
AL F06-0274/LMU 06.09.12	DLE	01.01.24	mm	71600
AM F06-0274/LMU 06.09.25	P.N.Z	01.01.24	mm	CUSTOMER Drawing
AN F09-0233/LMU 09.12.15	J.F.N	01.01.24	mm	sheet 1 of 2
AN F09-0233/LMU 09.12.15	P.N.Z	01.01.24	mm	size
sheet revision AS AG				A3
index sheet 1 2				

STRAIN RELIEF OPTION AVAILABILITY	Nbr OF POSITIONS
1/6	04
0/1/2/3/6	06
0/1/2/3/6	08
0/1/2/3/6	10
0/1/2/3/6	14
0/1/2/3/6	16
0/1/2/3/6	18
0/1/2/3/6	20
0/1/3	24
0/1/2/3/6	26
0/1/2/3/6	30
0/1/2/3/6	34
0/1/2/3/6	40
0/1/2/3/6	50
0/1/2/3/6	60
0/1/2/3/6	64

624
304
204 / 224
004

DASHES NOT AVAILABLE



PRODUCT NUMBER	WITH CENTRAL KEY	WITHOUT CENTRAL KEY	STANDARD	WITHOUT STANDARD	LOW PROFILE	LATCHING
71600-6YY(B)LF	●					●
71600-3YY(B)LF		●	●			
71600-2YY(B)LF	●					
71600-1YY(B)LF	●			●	●	
71600-0YY(B)LF	●		●			

mat'l. code	ISO 1302	tolerance	ISO 406	ISO 1101	projection	product family
lfr ecn no lfr date	tolerances unless otherwise specified	linear	mm	mm	QUICKIE	
AF B-17851 LMU 14.06.05	angles				IDC RECEIPT	
AG F-26816 LMU 17.06.06	linear				DR	
AB F03019 DLE 03.01.23 lfr	DLE	01.01.24			sheet 2 of - size	
AC F05-0180 LMU 05.04.22 leng	P.NZ	01.01.24			71600	
AD F06-0270 LMU 06.09.12 chr	JFN	01.01.24			CUSTOMER Drawing	
AE F06-0274 LMU 06.09.25 lappd	P.NZ	01.01.24				
Sheet revision						
Index sheet						