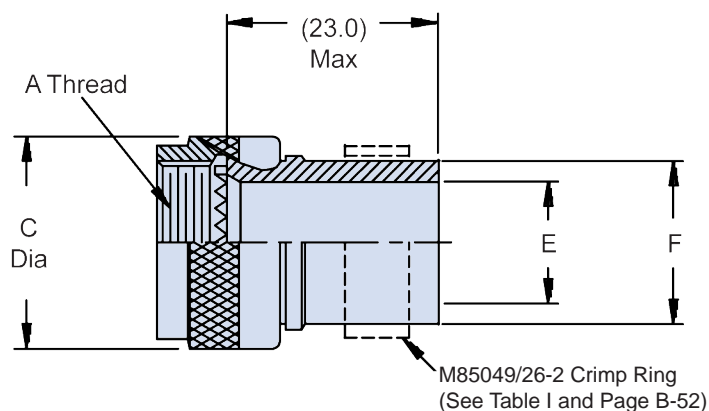




AS85049/33-2

Straight RFI/EMI Non-Environmental Backshell

CONNECTOR DESIGNATOR:
F MIL-DTL-38999 Series I and II

**Basic
Part Number**
**Shell Size
(Table I)**
M85049/33-2
10
W
Finish
N = Electroless Nickel
W = 1,000 Hr. Cadmium Olive Drab over Electroless Nickel
X = Aluminum, Nickel Fluorocarbon Polymer
Z = Aluminum, Zinc-Nickel, Black

TABLE I: Adapter Shell Size, Thread, Dimensions and Crimp Ring Ref.

Shell Size	A Thread Class 2B	C Dia Max	E Dia	F Dia Max	AS85049/26-2 Crimp Ring Ref
08	.438 - 28 UNEF	.750 (19.1)	.250 (6.4)	.347 (8.8)	8
10	.562 - 24 UNEF	.850 (21.6)	.325 (8.3)	.498 (12.6)	10
12	.688 - 24 UNEF	1.000 (25.4)	.420 (10.7)	.510 (13.0)	12
14	.813 - 20 UNEF	1.100 (27.9)	.540 (13.7)	.630 (16.0)	14
16	.938 - 20 UNEF	1.250 (31.8)	.670 (17.0)	.760 (19.3)	16
18	1.063 - 18 UNEF	1.400 (35.6)	.789 (20.0)	.890 (22.6)	18
20	1.188 - 18 UNEF	1.500 (38.1)	.914 (23.2)	1.010 (25.7)	20
22	1.313 - 18 UNEF	1.650 (41.9)	1.039 (26.4)	1.130 (28.7)	22
24	1.438 - 18 UNEF	1.750 (44.5)	1.112 (28.2)	1.202 (30.5)	24

APPLICATION NOTES

- For complete dimensions see the applicable Military Specification.
- Metric dimensions (mm) are in parentheses.

**See Page B-52 for
AS85049/26-2 Crimp Ring**

Dimensions in inches (millimeters) and are subject to change without notice.

Mouser Electronics

Authorized Distributor

Click to View Pricing, Inventory, Delivery & Lifecycle Information:

Glenair:

[M85049/1-4B](#) [M85049/1-8B](#) [M85049/34-12W](#) [M85049/33-2-22W](#) [M85049/34-10W](#) [M85049/53-10W](#) [M85049/53-12A](#) [M85049/33-2-08W](#) [M85049/33-2-10N](#) [M85049/33-2-10W](#) [M85049/33-2-12N](#) [M85049/33-2-12W](#) [M85049/33-2-14N](#) [M85049/33-2-14W](#) [M85049/33-2-16N](#) [M85049/33-2-16W](#) [M85049/33-2-18N](#) [M85049/33-2-20N](#) [M85049/33-2-20W](#) [M85049/33-2-22N](#) [M85049/33-2-24N](#) [M85049/33-2-8N](#) [M85049/34-8W](#) [M85049/53-18W](#) [M85049/75-8-2](#) [M85049/1-12B](#) [M85049/1-24B](#) [M85049/33-2-08N](#) [M85049/33-2-24W](#) [M85049/33-2-18W](#) [M85049/54-22A](#) [M85049/54-10W](#) [M85049/53-14W](#) [M85049/53-16W](#)