



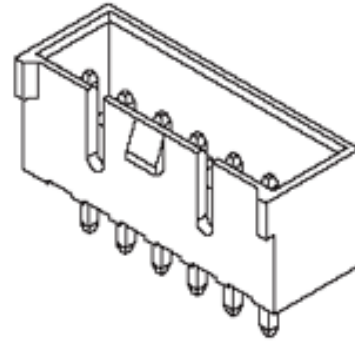
Part Number : [353120860](#)

Product Description : 2.50mm Pitch Header, Vertical, Shrouded, with Positive Lock, 8 Circuits, PA Polyamide (Nylon) 6/6, Glass-filled, Natural

Series Number : 35312

Status : New Business Not Supported


Product Category : PCB Headers and Receptacles



Documents & Resources

Product Environment Compliance

Compliance

GADSL/IMDS	Not Relevant
China RoHS	
EU ELV	Not Relevant
Low-Halogen Status	Not Low-Halogen per IEC 61249-2-21
REACH SVHC	Not Contained per D(2023)3788-DC (14 Jun 2023)
EU RoHS	Compliant per EU 2015/863

Multiple Part Product Compliance Statements

- Eu RoHS
- REACH SVHC
- Low-Halogen

Multiple Part Industry Compliance Documents

- IPC 1752A Class C
- IPC 1752A Class D
- Molex Product Compliance Declaration
- IEC-62474
- chemSHERPA (xml)

EU RoHS Certificate of Compliance

Part Details

General

Status	New Business Not Supported
Category	PCB Headers and Receptacles
Series	35312
Description	2.50mm Pitch Header, Vertical, Shrouded, with Positive Lock, 8 Circuits, PA Polyamide (Nylon) 6/6, Glass-filled, Natural
Application	Signal, Wire-to-Board
Component Type	PCB Header
Product Name	N/A
UPC	822348799268

Agency

CSA	LR19980
UL	E29179

Electrical

Current - Maximum per Contact	3.0A
Voltage - Maximum	250V

Physical

Breakaway	No
Circuits (Loaded)	8
Circuits (maximum)	8
Color - Resin	Natural
Durability (mating cycles max)	30
First Mate / Last Break	No
Flammability	94V-0
Glow-Wire Capable	No
Guide to Mating Part	No
Keying to Mating Part	None
Lock to Mating Part	Yes
Material - Plating Mating	Tin
Material - Plating Termination	Tin
Material - Resin	Nylon

Net Weight	0.786/g
Number of Rows	1
Orientation	Vertical
Packaging Type	Bag
PC Tail Length	3.40mm
PCB Locator	No
PCB Retention	None
PCB Thickness - Recommended	1.60mm
Pitch - Mating Interface	2.50mm
Pitch - Termination Interface	2.50mm
Plating min - Mating	5.080µm
Plating min - Termination	5.080µm
Polarized to PCB	No
Shrouded	Partial
Stackable	No
Temperature Range - Operating	-40° to +105°C
Termination Interface Style	Through Hole

This document was generated on Dec 09, 2023