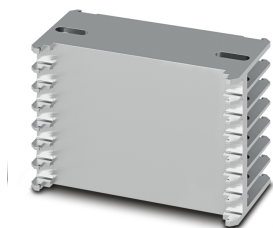


## Heatsink - ICE50-R100X67-A1 - 1118306

Please be informed that the data shown in this PDF Document is generated from our Online Catalog. Please find the complete data in the user's documentation. Our General Terms of Use for Downloads are valid (<http://phoenixcontact.com/download>)




Heatsink, Aluminum, anodized, width: 67.4 mm

### Your advantages

- ✔ Heatsinks enable the finished devices to be used in thermally demanding applications
- ✔ Extensive thermal simulations help achieve the optimum arrangement of components on the printed circuit board
- ✔ Customized heatsinks for reliable heat dissipation
- ✔ Simplified engineering process: all the services needed for your specific device design
- ✔ Tailored system solution comprised of a housing, connection technology, heatsink, and additional accessories



### Key Commercial Data

Packing unit	10 pc
Minimum order quantity	10 pc
GTIN	 4 063151 046705
GTIN	4063151046705
Weight per Piece (excluding packing)	249.670 g
Custom tariff number	76169990
Country of origin	China
Sales Key	ACHAEF

### Technical data

#### Item properties

Brief article description	Heatsink
Type	ICE50-R100X67-A1
Order No.	1118306
Housing type	Heatsink
Housing series	ICS
Range of articles	ICS50

# Heatsink - ICE50-R100X67-A1 - 1118306

## Technical data

### Item properties

Type	Aluminum, anodized
Max. IP code to attain	IP20
Mounting type	Slot

### Dimensions

Width [ w ]	67.4 mm
Height [ h ]	50.1 mm
Length [ l ]	105 mm
Base panel thickness [ b ]	6 mm

### Material specifications

Color	aluminum color
Material	Aluminum
Surface characteristics	anodized
Thermal resistance $R_{th}$	1.58 K/W (At $\Delta T$ 65 K for ambient temperature)
	2.91 K/W (At $\Delta T$ 5 K for ambient temperature)

### Ambient conditions

Ambient temperature (storage/transport)	-40 °C ... 55 °C
Ambient temperature (assembly)	-5 °C ... 100 °C

### General information

Note	Refer to the data sheet for the range in the download area.
	Individual milling possible.
	The $R_{th}$ diagram shows the application, free-hanging (vertical) in the direction of flow.

### Packaging information

Pieces per package	10
Denomination packing units	Pcs.

### Vibration test

Specification	IEC 60068-2-6:2007-12
Frequency	10 - 150 - 10 Hz
Sweep speed	1 octave/min
Amplitude	0.15 mm (10 - 58.1 Hz)
Acceleration	2g (58.1 - 150 Hz)
Test duration per axis	2.5 h
Test directions	X-, Y- and Z-axis

### Shock

Specification	IEC 60068-2-27:2008-02
Pulse shape	Semi-sinusoidal
Acceleration	15g
Shock duration	11 ms

# Heatsink - ICE50-R100X67-A1 - 1118306

## Technical data

### Shock

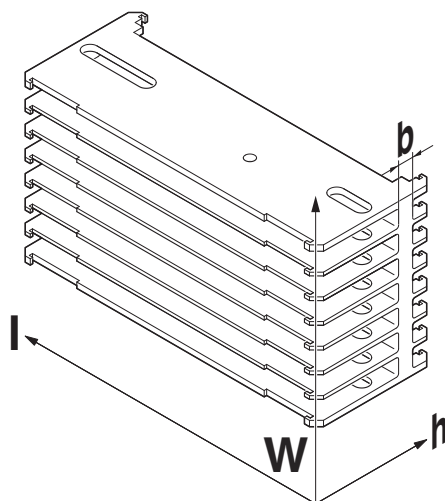
Number of shocks per direction	3
Test directions	X-, Y- and Z-axis (pos. and neg.)

### Testing for paint wetting impairment substances (LABS-conformity)

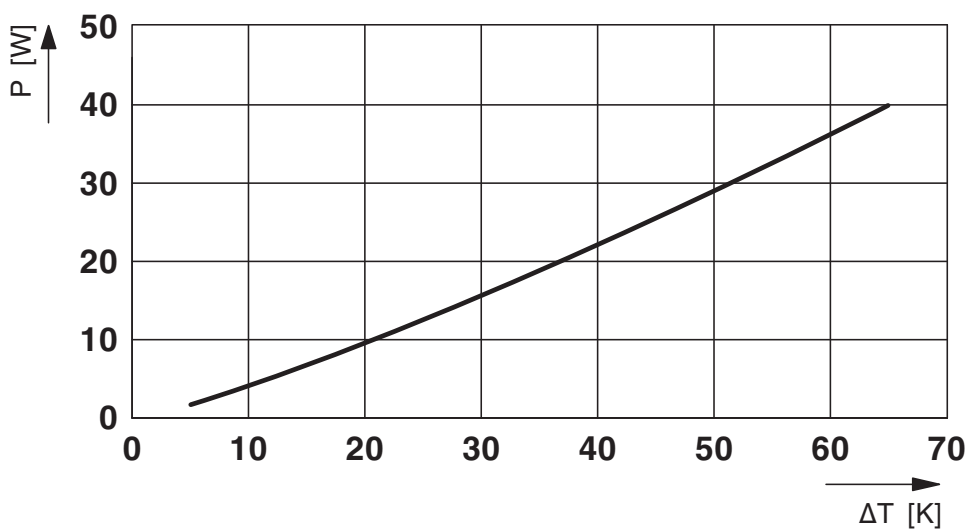
Specification	VW PV 3.10.7:2005-02
---------------	----------------------

## Drawings

Dimensional drawing



Diagram



R<sub>th</sub> diagram of heatsink ICE 100 mm

## Heatsink - ICE50-R100X67-A1 - 1118306

### Classifications

eCl@ss

eCl@ss 10.0.1	27260501
eCl@ss 11.0	27260501
eCl@ss 9.0	27260501