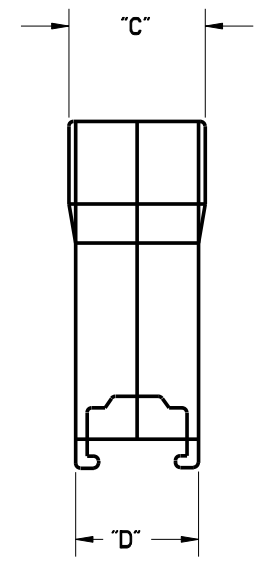
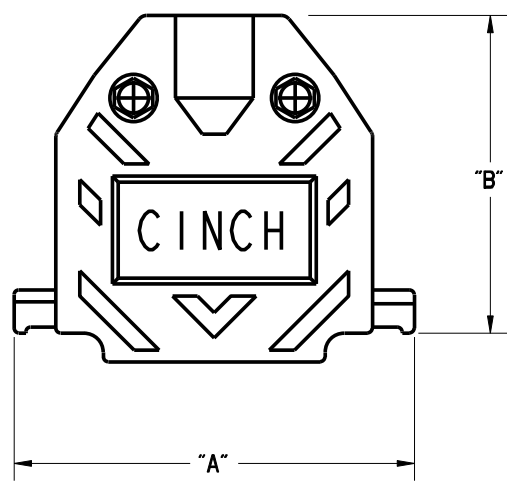
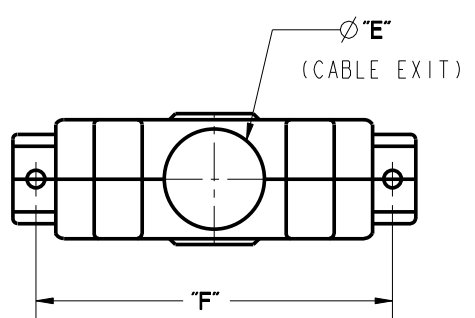


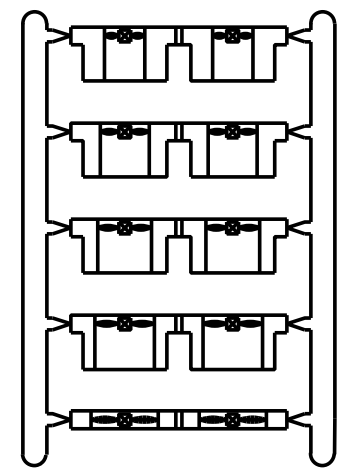
DRAWING REVISIONS			
REV	DOCUMENT	APP	DATE
1	DO 05-1162		



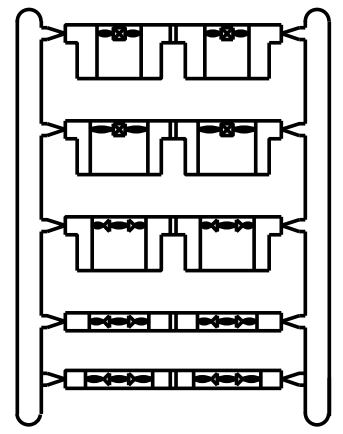
NOTES:

- SPECIFICATIONS:
  - A. COVER - PLASTIC, ABS (BLACK) POLYMER
  - B. INSERTS - PLASTIC, POLYPROPYLENE (BLACK)
  - C. HARDWARE
    - SCREWS # 4-40
    - HEX NUTS # 4-40
    - SCREW MOUNTING BRACKET, STEEL, ZINC PLATE WITH CLEAR CHROMATE ROHS COMPLIANT.
- DIMENSIONS IN [ ] ARE IN MILLIMETERS.

SIZE	CATALOG PART NUMBER	FACTORY NUMBER	"A"	"B"	"C"	"D"	"E"	"F"
9	DPH-E-003	702 49 09 020	1.225 [31.12]	1.547 [32.29]	.640 [16.26]	.645 [16.38]	.400 [10.16]	.984 [24.99]
15	DPH-A-003	702 49 15 020	1.540 [39.12]	1.516 [38.51]				1.312 [33.32]
25	DPH-B-003	702 49 25 020	2.090 [53.09]	1.655 [42.04]	.710 [18.03]	.522 [13.26]	1.857 [47.17]	



INSERTS 9-15 SIZES



INSERTS 25 SIZE

**ROHS COMPLIANT**

UNITS <b>ENGLISH</b>		<b>PRO/E</b>	<b>Cinch</b>	MODELED BY:
DO NOT SCALE DRAWING	DRAWN BY V. SKUZA	DATE 07/19/05	TITLE PLASTIC HOOD D-SUB BACKSHELLS-2 PIECE	1700 FINLEY RD LOMBARD, IL. 60148
	DESIGN ENGINEER A. BALI	07/19/05	MATERIAL	CONTROL SPEC NUMBER
	DESIGN ENGINEERING MGR.		MATERIAL SPEC NUMBER	FINISH
	MFG. ENGINEERING S. ASAUSKAS	07/27/05	CAD FILE NUMBER DPH-X-003	PROJECT NUMBER C14766
	QUALITY ASSURANCE A. VAZQUEZ	07/27/05	CAGE IDENT NO.   SIZE 71785   B	DRAWING NUMBER <b>DPH-X-003</b>
			SCALE 1:1	SHEET 1 OF 1

THIS DOCUMENT IS THE PROPERTY OF CINCH. NEITHER THIS DOCUMENT NOR ANY OF THE INFORMATION CONTAINED IN IT MAY BE DUPLICATED OR DISCLOSED WITHOUT PRIOR WRITTEN CONSENT OF CINCH.

# Mouser Electronics

Authorized Distributor

Click to View Pricing, Inventory, Delivery & Lifecycle Information:

[Cinch Connectivity Solutions:](#)

[DPH-B-003](#)