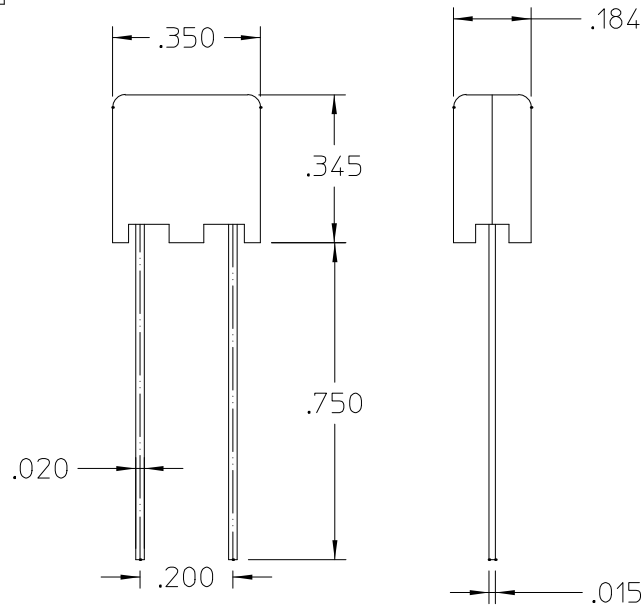


**VICOR CONFIDENTIAL**

THIS DOCUMENT AND THE DATA DISCLOSED HEREIN OR HEREWITH IS NOT TO BE REPRODUCED, USED, OR DISCLOSED IN WHOLE OR IN PART TO ANYONE WITHOUT PERMISSION OF VICOR CORP.



REV.	DESCRIPTION	DATE	APPROVED
1	RELEASED PER E050358a	LEK 11/23/05	SH
2	RELEASED PER E064344	GK 05/30/06	REJH

NOTES:

1. RoHS COMPLAINT, LEAD FREE PER CST-0001 LATEST REVISION.
2. BUSS #PCD5-125 OR APPROVED REVISION.

SPECIFICATIONS:

INTERUPTING AND VOLTAGE RATINGS:


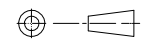
10kA @ 125 VAC, (300-4200)A @ 250 VDC

TIME-CURRENT CHARACTERISTICS:

CARRY 100% OF RATING FOR FOUR HOURS MINIMUM. OPEN AT 200% OF RATING IN TEN SECONDS MAXIMUM. (NON-TIME-DELAY).

AGENCY APPROVALS:

U.L. RECOGNIZED; FILE E19180  
CSA CERTIFIED; FILE 42731, CLASS 1421-01

DRAWN BY <i>P.E.IENI</i>		DATE 08/17/05		 <b>FUSE 5AMP</b> <b>125V PCD-5-R</b>	
<small>UNLESS OTHERWISE SPECIFIED DIMENSIONS ARE IN INCHES- TOLERANCES ARE:                  FRACTIONS DECIMALS ANGLES                  ±1/64 .XX= ±.01 ±1°                  .XXX=±.005</small>					
THIRD ANGLE PROJECTION 		SIZE <b>B</b>	FSCM NO. <b>67131</b>	DWG NO <b>30276</b>	REV <b>2</b>
DO NOT SCALE DRAWING		SCALE		SHEET 1 OF 1	