

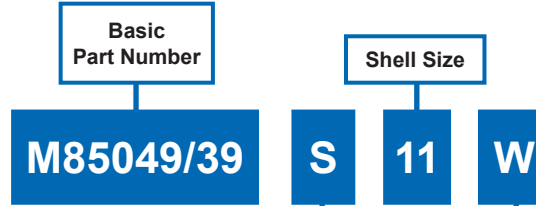
AS85049/39  
90° Strain Relief  
Self-Locking or Non-Self-Locking



AS85049

CONNECTOR DESIGNATOR:	
<b>H</b>	MIL-DTL-38999 Series III & IV EN3645

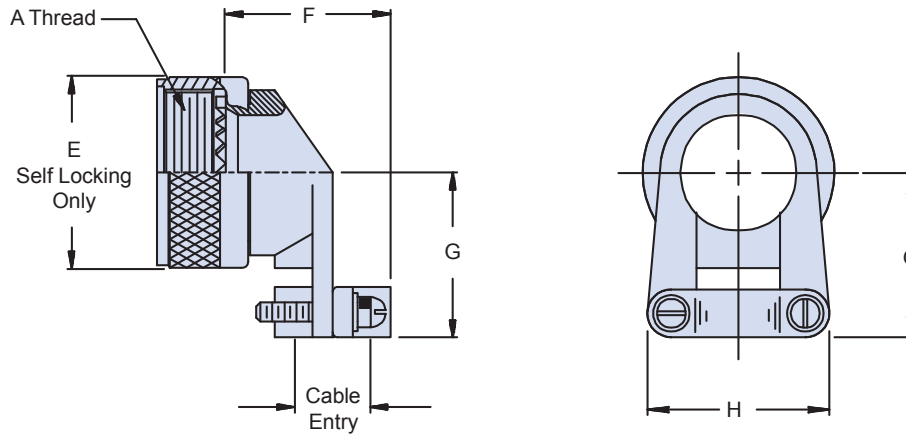
**FOR NEW DESIGN  
USE AS85049/126**



**S** = Self-Locking  
Use Dash for Non-Self-Locking  
**N** = Non-Detented

**Material and Finish Designator**  
**A** = Aluminum, Black Anodize  
**N** = Aluminum, Electroless Nickel  
**S** = 300 Series Steel, Passivated  
**W** = Aluminum, 500 Hour Cadmium  
 Olive Drab over Electroless Nickel

**B**



**TABLE I: Shell Size, Cable Entry and Backshell Dimensions**

Shell Size	Shell Size Ref.	A Thread Class 2B	Ø E Max		F Max		G Max		H Max		Cable Entry			
			Self-Locking Only						Min	Max				
9	A	M12 X 1 - 6H	.858	(21.8)	1.01	(25.7)	1.00	(25.4)	.85	(21.6)	.098	(2.5)	.234	(5.9)
11	B	M15 X 1 - 6H	.984	(25.0)	1.01	(25.7)	1.10	(27.9)	.90	(22.9)	.153	(3.9)	.234	(5.9)
13	C	M18 X 1 - 6H	1.157	(29.4)	1.21	(30.7)	1.10	(27.9)	1.10	(27.9)	.190	(4.8)	.328	(8.3)
15	D	M22 X 1 - 6H	1.279	(32.5)	1.26	(32.0)	1.25	(31.8)	1.15	(29.2)	.260	(6.6)	.457	(11.6)
17	E	M25 X 1 - 6H	1.406	(35.7)	1.41	(35.8)	1.30	(33.0)	1.30	(33.0)	.283	(7.2)	.614	(15.6)
19	F	M28 X 1 - 6H	1.516	(38.5)	1.51	(38.4)	1.35	(34.3)	1.50	(38.1)	.325	(8.3)	.634	(16.1)
21	G	M31 X 1 - 6H	1.642	(41.7)	1.66	(42.2)	1.60	(40.6)	1.60	(40.6)	.343	(8.7)	.698	(17.7)
23	H	M34 X 1 - 6H	1.768	(44.9)	1.76	(44.7)	1.75	(44.5)	1.70	(43.2)	.381	(9.7)	.823	(20.9)
25	J	M37 X 1 - 6H	1.889	(48.0)	2.91	(73.9)	1.85	(47.0)	1.80	(45.7)	.418	(10.6)	.853	(21.7)

**APPLICATION NOTES**

1. Assembly to be identified with manufacturer's name and part number, space permitting.
2. Cable Entry is defined as the accommodation entry for the wire bundle or cable. Dimensions are not intended for inspection criteria.
3. For complete dimensions, see the applicable Military Specification.
4. Metric dimensions (mm) are in parentheses.

Dimensions in inches (millimeters) and are subject to change without notice.

© 2013 Glenair, Inc.

Mil-Spec Backshells

U.S. CAGE Code 06324

Printed in U.S.A.

**GLENAIR, INC. • 1211 AIR WAY • GLENDALE, CA 91201-2497 • 818-247-6000 • FAX 818-500-9912**  
**www.glenair.com • B-63 • E-Mail: sales@glenair.com**